



HEIDENHAIN



**Encoders for
Servo Drives**

November 2006

This catalog is not intended as an overview of the HEIDENHAIN product program. Rather it presents a selection of **encoders for use on servo drives**.

In the **selection tables** you will find an overview of all HEIDENHAIN encoders for use on electric drives and the most important specifications. The descriptions of the **technical features** contain fundamental information on the use of rotary, angular, and linear encoders on electric drives.

The **mounting information** and the detailed **specifications** refer to the **rotary encoders** developed specifically for drive technology. The Rotary Encoders catalog contains more information.

For the **linear and angular encoders** listed in the selection tables, you will find detailed information such as mounting information, specifications and dimensions in the respective **product catalogs**.

This catalog supersedes all previous editions, which thereby become invalid. The basis for ordering from HEIDENHAIN is always the catalog edition valid when the contract is made.

Standards (ISO, EN, etc.) apply only where explicitly stated in the catalog.

For More Product Catalogs



Catalog **Rotary Encoders**

Contents:
Incremental Rotary Encoders
ERN, ROD
Absolute Rotary Encoders
ECN, EQN, ROC, ROQ



Catalog **Angle Encoders with Integral Bearing**

Contents:
Incremental Angle Encoders
RON, RPN, ROD
Absolute Angle Encoders
RCN



Catalog **Angle Encoders without Integral Bearing**

Contents:
Incremental Angle Encoders
ERA, ERP



Product Information **ERM 200**

Contents:
Incremental Modular Magnetic Encoders



Catalog **Exposed Linear Encoders**

Contents:
Incremental Linear Encoders
LIP, PP, LIF, LIDA



Catalog
Linear Encoders
for Numerically Controlled Machine Tools
Contents:
Incremental Linear Encoders
LB, LF, LS
Absolute Linear Encoders
LC

Contents

Overview		
	Explanation of the Selection Tables	6
	Rotary Encoders for Mounting on Motors	8
	Rotary Encoders for Integration in Motors	10
	Angle Encoders and Rotary Encoders for Integrated and Hollow-Shaft Motors	12
	Exposed Linear Encoders for Linear Drives	14
	Sealed Linear Encoders for Linear Drives	16
Technical Features and Mounting Information		
	Rotary Encoders and Angle Encoders for Three-Phase AC and DC Motors	18
	Linear Encoders for Linear Drives	20
Measuring Principles	Measuring Standard	22
	Scanning Methods	23
	Electronic Commutation with Position Encoders	24
	Measuring Accuracy	25
Mechanical Designs, Mounting and Accessories	Rotary Encoders with Integral Bearing and Stator Coupling	28
	Rotary Encoders without Integral Bearing	30
	Aligning the Rotary Encoders to the Motor EMF	33
	General Mechanical Information	34
Specifications		
Rotary Encoders with Integral Bearing	ERN/ECN/EQN 1100 Series	36
	ECN/EQN 1300 Series	38
	ERN 1300 Series	40
Rotary Encoders without Integral Bearing	ECI/EQI 1100 Series	42
	ECI/EQI 1300 Series	44
	ERO 1200 Series	46
	ERO 1300 Series	48
	ERO 1400 Series	50
	Angle Encoders	<i>See Angle Encoders catalog</i>
	Linear Encoders	<i>See Exposed Linear Encoders and Linear Encoders for Numerically Controlled Machine Tools catalogs</i>
Electrical Connection		
Interfaces	Incremental Signals	52
	Commutation Signals	56
	EnDat Absolute Position Values	58
	Connecting Elements and Cables	65
	General Electrical Specifications	68
	HEIDENHAIN Measuring and Testing Devices and Evaluation Electronics	70

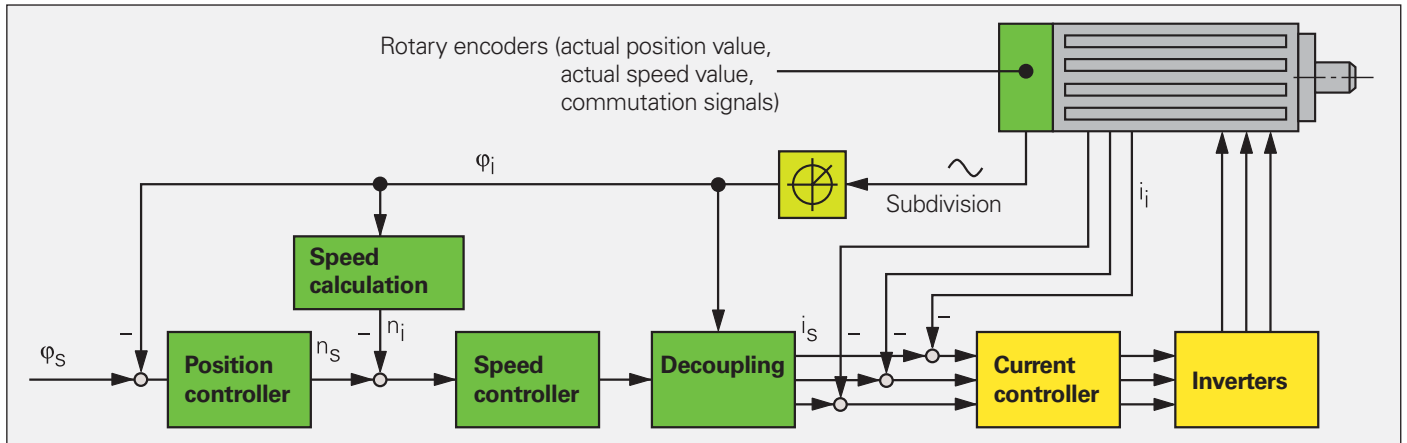
Encoders for Servo Drives

Controlling systems for servo drives require measuring systems that provide feedback for the position and speed controllers and for electronic commutation.

The properties of encoders have decisive influence on important motor qualities such as:

- Positioning accuracy
- Speed stability
- Bandwidth, which determines drive command-signal response and disturbance rejection capability
- Power loss
- Size
- Quietness

Digital position and speed control



HEIDENHAIN offers the appropriate solution for any of a wide range of applications using both rotary and linear motors:

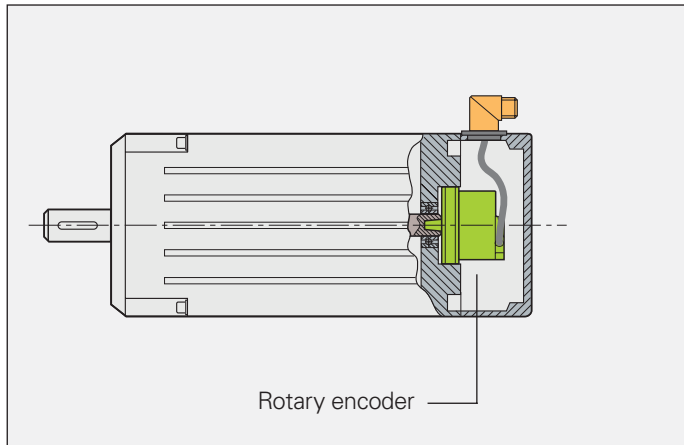
- Incremental rotary encoders with and without commutation tracks, absolute rotary encoders
- Incremental and absolute angle encoders
- Incremental and absolute linear encoders



Rotary encoders

All the HEIDENHAIN encoders shown in this catalog involve very little cost and effort for the motor manufacturer to mount and wire. Encoders for rotary motors are of short overall length. Some encoders, due to their special design, can perform functions otherwise handled by safety devices such as limit switches.

Motor for "digital" drive systems (digital position and speed control)



Angle encoders



Linear encoders

Explanation of the Selection Tables

The tables on the following pages list the encoders suited for individual motor designs. The encoders are available with dimensions and output signals to fit specific types of motors (dc or ac).

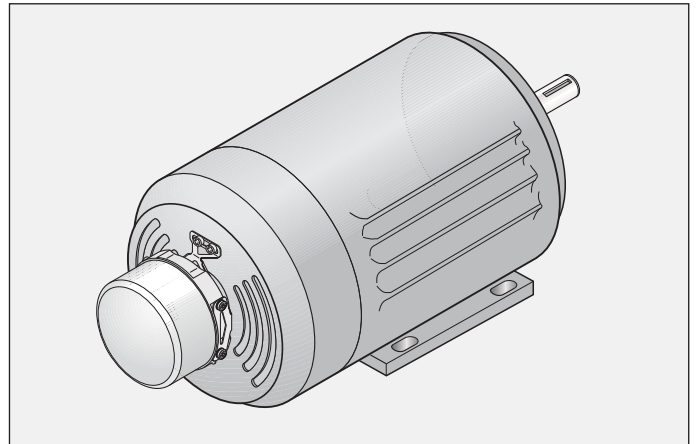
Rotary encoders for mounting on motors

Rotary encoders for motors with forced ventilation are either built onto the motor housing or integrated. As a result, they are frequently exposed to the unfiltered forced-air stream of the motor and must have a high degree of protection, such as IP 64 or better. The permissible operating temperature seldom exceeds 100 °C.

In the selection table you will find

- Rotary encoders with mounted **stator couplings** with high natural frequency—virtually eliminating any limits on the bandwidth of the drive
- Rotary encoders for **separate shaft couplings**, which are particularly suited for **insulated mounting**
- Incremental rotary encoders with high quality **sinusoidal output signals** for digital speed control
- Absolute rotary encoders with complementary sinusoidal incremental signals
- Incremental rotary encoders with **TTL- or HTL-compatible output signals**

For Selection Table see page 8



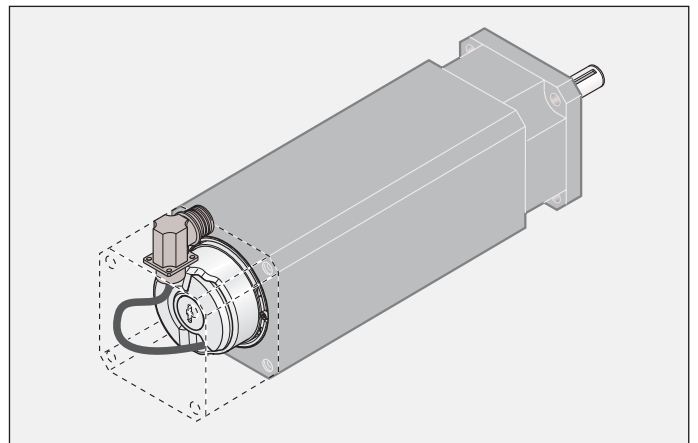
Rotary encoders for integration in motors

For motors without separate ventilation, the rotary encoder is built into the motor housing. This configuration places no stringent requirements on the encoder for a high degree of protection. The operating temperature within the motor housing, however, can reach 100 °C and higher.

In the selection table you will find

- Incremental rotary encoders for **operating temperatures** up to 120 °C, and absolute rotary encoders for operating temperatures up to 115 °C
- Rotary encoders with mounted **stator couplings** with high natural frequency—virtually eliminating any limits on the bandwidth of the drive
- Incremental rotary encoders for digital speed control with **sinusoidal output signals** of high quality—even at high operating temperatures
- Absolute rotary encoders with optional sinusoidal incremental signals
- Incremental rotary encoders with additional **commutation signal** for synchronous motors
- Incremental rotary encoders with **TTL-compatible output signals**

For Selection Table see page 10



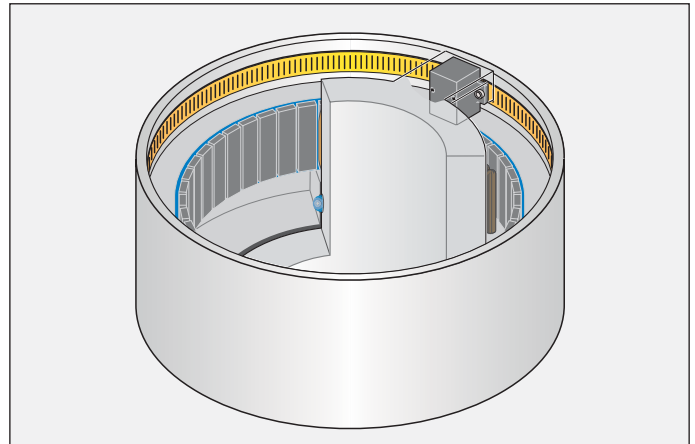
Rotary encoders and angle encoders for integrated and hollow-shaft motors

Rotary encoders and angle encoders for these motors have **hollow through shafts** in order to allow supply lines, for example, to be conducted through the motor shaft—and therefore through the encoder. Depending on the conditions of the application, the encoders must either feature IP 66 protection or—for example with modular encoders using optical scanning—the machine must be designed to protect them from contamination.

In the selection table you will find

- Rotary encoders with the measuring standard on a steel drum for **shaft speeds up to 40000 rpm**
- Encoders with integral bearing, with stator coupling or modular design
- Encoders with high quality **absolute and/or incremental output signals**
- Encoders with **good acceleration performance** for a broad bandwidth in the control loop

For Selection Table see page 12



Linear encoders for linear motors

Linear encoders on linear motors supply the actual value both for the position controller and the velocity controller. They therefore form the basis for the servo characteristics of a linear drive. The linear encoders recommended for this application:

- Have low position deviation during acceleration in the measuring direction
- Have high tolerance to acceleration and vibration in the lateral direction
- Are designed for high velocities
- Supply sinusoidal incremental signals of high quality

Exposed linear encoders are characterized by:

- Higher accuracy grades
- Higher traversing speeds
- Contact-free scanning, i.e., no friction between scanning head and scale

Exposed linear encoders are suited for applications in clean environments, for example on measuring machines or production equipment in the semiconductor industry.

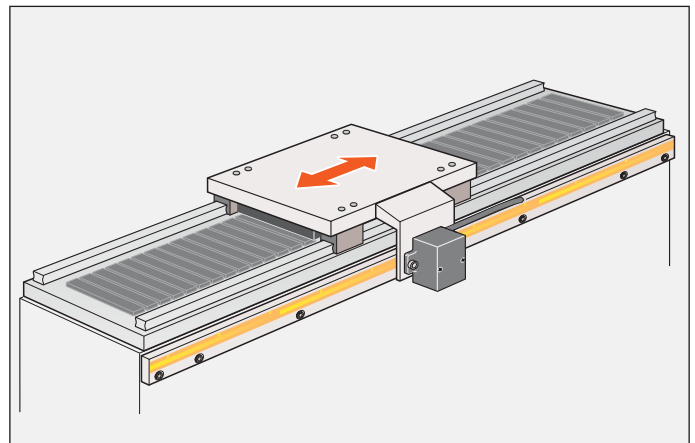
For Selection Table see page 14

Sealed linear encoders are characterized by:

- A high degree of protection
- Simple installation

Sealed linear encoders are therefore ideal for applications in environments with airborne liquids and particles, such as on machine tools.

For Selection Table see page 16



Selection Guide

Rotary Encoders for Mounting on Motors

Protection: up to IP 64 (IEC 60529)

Series	Overall dimensions	Mechanically permissible speed (max.)	Natural freq. of the stator connection	Maximum operating temperature	Power supply
Rotary encoders with integral bearing and mounted stator coupling					
ECN/ERN 100		$D \leq 30 \text{ mm:}$ 6000 rpm $D \leq 50 \text{ mm:}$ 4000 rpm	$\geq 1\,100 \text{ Hz}$	100 °C	5V ± 5%
					3.6 to 5.25 V
					5V ± 10%
				85 °C	10 to 30 V
				100 °C	5V ± 10%
ECN/EQN/ERN 400	<p><i>Stator coupling</i></p> <p><i>Universal stator coupling</i></p>	12000 rpm	<i>Stator coupling:</i> $\geq 1\,500 \text{ Hz}$ <i>Universal stator coupling:</i> $\geq 1\,400 \text{ Hz}$	100 °C	5V ± 5%
					3.6 to 5.25 V
					5V ± 10%
				70 °C	10 to 30 V
				100 °C	5V ± 10%
ERN 1000		10000 rpm	$\geq 950 \text{ Hz}$	100 °C	5V ± 10%
					10 to 30 V
					5V ± 5%
				100 °C	5V ± 10%
Rotary encoders with integral bearing for separate shaft coupling					
ROC/ROQ/ROD 400		12000 rpm	-	100 °C	5V ± 5%
				3.6 to 5.25 V	
		16000 rpm			5V ± 10%
				10 to 30 V	
				70 °C	
				100 °C	5V ± 10%
ROD 1000		10000 rpm	-	100 °C	5V ± 10%
					10 to 30 V
					5V ± 5%
				100 °C	5V ± 10%

¹⁾ After internal 5/10-fold interpolation

Incremental signals		Absolute position values			Model	For more information
Output signals	Signal periods per revolution	Positions per revolution	Distinguishable revolutions	Data interface		
~ 1 V _{PP}	2048	8192	–	EnDat 2.2/01	ECN 113	Catalog: Rotary Encoders
–	–	33554432		EnDat 2.2 / 22	ECN 125	
□ TTL	1000 to 5000	–	–	–	ERN 120	
□ HTL					ERN 130	
~ 1 V _{PP}					ERN 180	
~ 1 V _{PP}	512, 2048	8192	– / 4096	EnDat 2.2/01	ECN 413/EQN 425	
–	–	33554432		EnDat 2.2 / 22	ECN 425/EQN 437	
□ TTL	250 to 5000	–	–	–	ERN 420	
□ HTL					ERN 430	
□ TTL					ERN 460	
~ 1 V _{PP}	1000 to 5000	–	–	–	ERN 480	
□ TTL	100 to 3600	–	–	–	ERN 1020	
□ HTL					ERN 1030	
□ TTL	5000 to 36000 ¹⁾	–	–	–	ERN 1070	
~ 1 V _{PP}	100 to 3600	–	–	–	ERN 1080	
	512, 2048	Z1 track for sine commutation	–	–	ERN 1085	Product Information
~ 1 V _{PP}	512, 2048	8192	– / 4096	EnDat 2.2/01	ROC 413 / ROQ 425	Catalog: Rotary Encoders
–	–	33554432		EnDat 2.2 / 22	ROC 425 / ROQ 437	
□ TTL	50 to 10000	–	–	–	ROD 426	
□ HTL	50 to 5000				ROD 436	
□ TTL	50 to 10000				ROD 466	
~ 1 V _{PP}	1000 to 5000				ROD 486	
□ TTL	100 to 3600	–	–	–	ROD 1020	
□ HTL					ROD 1030	
□ TTL	5000 to 36000 ¹⁾	–	–	–	ROD 1070	
~ 1 V _{PP}	100 to 3600	–	–	–	ROD 1080	

Selection Guide

Rotary Encoders for Integration in Motors

Protection: up to IP 40 (IEC 60529)

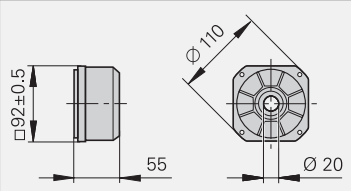
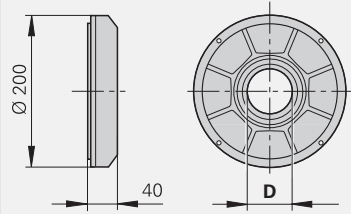
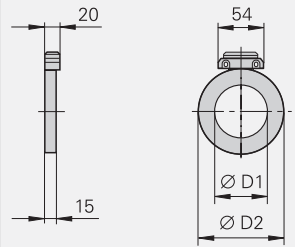
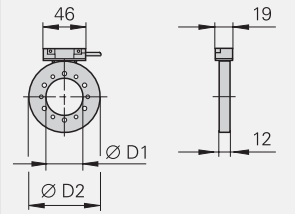
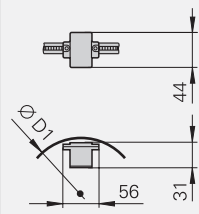
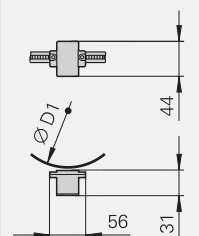
Series	Overall dimensions	Diameter	Mechanically permissible speed (max.)	Natural freq. of the stator connection	Maximum operating temperature
Rotary encoders with integral bearing and mounted stator coupling					
ECN/EQN/ ERN 1100	<p>ECN/EQN: L = 54.75 ERN: L = 52.2</p>	-	12000 rpm	≥ 1500 Hz	115 °C
					100 °C
					115 °C
ECN/EQN/ ERN 1300		-	15000 rpm	≥ 2000 Hz	115 °C
			12000 rpm		
			15000 rpm		120 °C
Rotary encoders without integral bearing					
ECI/EQI 1100		D: 6 mm	12000 rpm	-	100 °C
ECI/EQI 1300		-	15000 rpm	-	115 °C
			12000 rpm		
ERO 1200		D: 10/12 mm	25000 rpm	-	100 °C
ERO 1300		D: 20/30 mm	16000 rpm	-	70 °C
					85 °C
ERO 1400		D: 4/6/8 mm	30000 rpm	-	70 °C



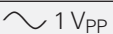
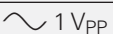
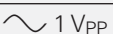


¹⁾ After internal 5/10/20/25-fold interpolation

	Power supply	Incremental signals		Absolute position values			Model	For more information
		Output signals	Signal periods per revolution	Positions per revolution	Distinguishable revolutions	Data interface		
	5 V ± 5%	~ 1 V _{PP}	512	8192	–	EnDat 2.1/01	ECN 1113	Page 36
							4096	
	5 V ± 10%	□□ TTL	1024/2048/3600	–			ERN 1120	
		~ 1 V _{PP}					ERN 1180	
			512/2048	Z1 track for sine commutation			ERN 1185	
	5 V ± 5%	~ 1 V _{PP}	512/2048	8192	–	EnDat 2.2/01	ECN 1313	Page 38
	3.6 to 5.25 V	–	–	33554432	–	EnDat 2.2 / 22	ECN 1325	
	5 V ± 5%	~ 1 V _{PP}	512/2048	8192	4096	EnDat 2.2/01	EQN 1325	
	3.6 to 5.25 V	–	–	33554432	–	EnDat 2.2 / 22	EQN 1337	
	5 V ± 5%	□□ TTL	1024/2048/4096	–			ERN 1321	Page 40
							3 block commutation signals	
		~ 1 V _{PP}	512/2048/4096	–			ERN 1381	
			2048	Z1 track for sine commutation			ERN 1387	
	5 V ± 5%	–	–	65536	–	EnDat 2.1/21	ECI 1116	Page 42
					4096		EQI 1128	
	5 V ± 5% / 7 to 10 V	~ 1 V _{PP}	32	131072	–	EnDat 2.1/01	ECI 1317	Page 44
							4096	
	5 V ± 10%	□□ TTL	1024/2048	–			ERO 1225	Page 46
		~ 1 V _{PP}					ERO 1285	
	5 V ± 10%	□□ TTL	1024/2048/5000	–			ERO 1324	Page 48
		~ 1 V _{PP}					ERO 1384	
	5 V ± 10%	□□ TTL	512/1000/1024	–			ERO 1420	Page 50
		□□ TTL	5000 to 37500 ¹⁾				ERO 1470	
		~ 1 V _{PP}	512/1000/1024				ERO 1480	

Selection Guide

Rotary Encoders and Angle Encoders for Integrated and Hollow-Shaft Motors

Series	Overall dimensions	Diameter	Mechanically permissible speed (max.)	Natural freq. of the stator connection	Maximum operating temperature
Angle encoders with integral bearing and integrated stator coupling					
RCN/RON 200		–	3000 rpm	≥ 1200 Hz	70 °C
					50 °C
RCN/RON 700		<i>RCN</i> : D 60 mm D 100 mm	1000 rpm	∅ 60 mm: ≥ 1000 Hz ∅ 100 mm: ≥ 900 Hz <i>RPN</i> : ≥ 500 Hz	50 °C
RON/RPN 800		<i>RON</i> : D 60 mm <i>RPN</i> : D 60 mm			
Angle encoders and modular encoders without integral bearing					
ERM 200 Modular rotary encoder with magnetic graduation		D1: 40 to 410 mm D2: 75.44 to 452.64 mm	19000 rpm to 3000 rpm	–	100 °C
ERA 4000 Steel scale drum		D1: 40 to 270 mm D2: 76.75 to 331.31 mm	≤ 10000 rpm to ≤ 2500 rpm	–	80 °C
ERA 700 For inside diameter mounting		D1: 458.62 mm 573.20 mm 1146.1 mm	500 rpm		50 °C
ERA 800 For outside diameter mounting		D1: 458.04 mm 572.63 mm	100 rpm		

	Power supply	Incremental signals		Absolute position values		Model	For more information	
		Output signals	Signal periods per revolution	Positions per revolution	Data interface			
	3.6 to 5.25 V	 1 V _{PP}	16384	268435465 ± 28 bits	EnDat 2.2/02	RCN 228	Catalog: Angle Encoders with Integral Bearing	
			–					–
	5 V ± 10%	 TTL	18000 ¹⁾	–	–	RON 225		
			180000 ²⁾			RON 275		
			 1 V _{PP}			18000		RON 285
						–		RON 287
3.6 to 5.25 V	 1 V _{PP}	32768	536870912 ± 29 bits	EnDat 2.2/02	RCN 729			
		–			–	EnDat 2.2/22	RCN 729	
5 V ± 10%	 1 V _{PP}	18000 36000	–	–	RON 786			
		36000			RON 886			
		180000			RPN 886			
5 V ± 10%	 TTL	600 to 3600	–	–	ERM 220	Product Information: ERM 200		
					 1 V _{PP}		ERM 280	
5 V ± 10%	 1 V _{PP}	12000 to 52000	–	–	ERA 4280C	Catalog: Angle Encoders without Integral Bearing		
		6000 to 26000			ERA 4480C			
		3000 to 13000			ERA 4880C			
		Full circle ³⁾ 36000/45000/90000	–	ERA 780C				
		Full circle ³⁾ 36000/45000	–	–	ERA 880C			

¹⁾ After internal 2-fold interpolation

²⁾ After internal 10-fold interpolation

³⁾ Segment solutions upon request

Selection Guide

Exposed Linear Encoders for Linear Drives

Series	Overall dimensions	Maximum traversing speed	Acceleration in measuring direction	Measuring lengths
LIP 400		30 m/min	$\leq 200 \text{ m/s}^2$	72 to 420 mm
LIF 400		72 m/min	$\leq 200 \text{ m/s}^2$	70 to 1020 mm
LIDA 200		600 m/min	$\leq 200 \text{ m/s}^2$	Up to 10000 mm
LIDA 400		480 m/min	$\leq 200 \text{ m/s}^2$	140 to 30040 mm
				240 to 6040 mm
PP 200 Two-coordinate encoder		60 m/min	$\leq 200 \text{ m/s}^2$	Measuring range 68 mm x 68 mm

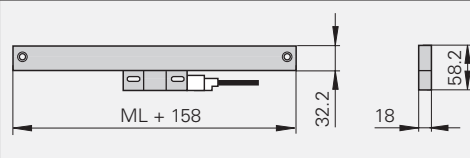
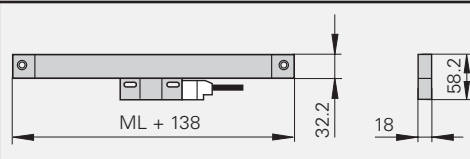
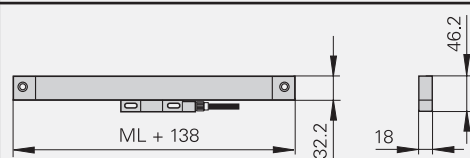
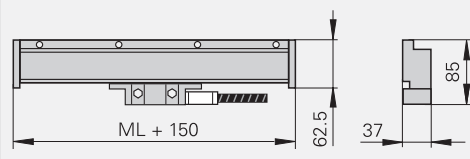
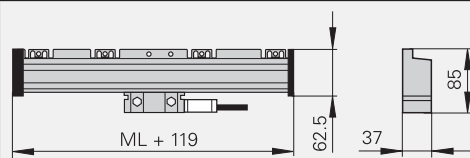
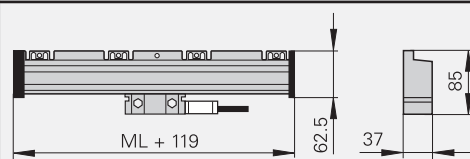
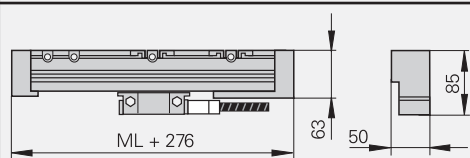
¹⁾ After linear error compensation

	Power supply	Incremental signals			Absolute position values	Model	For more information
		Output signals	Signal period/ Accuracy grade	Cutoff frequency -3dB			
	5 V ± 5%	~ 1 V _{PP}	2 μm/to ± 0.5 μm	≥ 250 kHz	–	LIP 481	Catalog: <i>Exposed Linear Encoders</i>
	5 V ± 5%	~ 1 V _{PP}	4 μm/± 3 μm	≥ 300 kHz	Homing track Limit switches	LIF 481	
	5 V ± 5%	~ 1 V _{PP}	200 μm/± 30 μm	≥ 50 kHz	–	LIDA 287	Product Information: <i>LIDA 200</i>
	5 V ± 5%	~ 1 V _{PP}	20 μm/± 5 μm	≥ 400 kHz	Limit switches	LIDA 485	Catalog: <i>Exposed Linear Encoders</i>
			20 μm/± 5 μm ¹⁾			LIDA 487	
	5 V ± 5%	~ 1 V _{PP}	4 μm/± 2 μm	≥ 250 kHz	–	PP 281	

Selection Guide

Sealed Linear Encoders for Linear Drives

Protection: IP 53 to IP 64¹⁾ (IEC 60529)

Series	Overall dimensions	Maximum traversing speed	Acceleration in measuring direction	Natural frequency of coupling	Measuring lengths
Linear encoders with slimline scale housing					
LF		30 m/min	$\leq 30 \text{ m/s}^2$	$\geq 2000 \text{ Hz}$	50 to 1220 mm
LC		180 m/min	$\leq 100 \text{ m/s}^2$	$\geq 2000 \text{ Hz}$	70 to 2040 mm
LS		120 m/min	$\leq 100 \text{ m/s}^2$	$\geq 2000 \text{ Hz}$	70 to 2040 mm
Linear encoders with full-size scale housing					
LF		60 m/min	$\leq 100 \text{ m/s}^2$	$\geq 780 \text{ Hz}$	140 to 3040 mm
LC		180 m/min	$\leq 100 \text{ m/s}^2$	$\geq 2000 \text{ Hz}$	140 to 4240 mm
LS		120 m/min	$\leq 60 \text{ m/s}^2$	$\geq 2000 \text{ Hz}$	140 to 3040 mm
LB		120 m/min (180 m/min on request)	$\leq 60 \text{ m/s}^2$	$\geq 650 \text{ Hz}$	440 to 30040 mm

¹⁾ After installation according to mounting instructions

²⁾ Depending on the adapter cable

	Power supply	Incremental signals			Absolute position values		Model	For more information
		Output signals	Signal periods/ Accuracy grade	Cutoff frequency -3dB	Resolution	Data interface		
	5 V ± 5%	~ 1 V _{PP}	4 μm/to ± 3 μm	≥ 200 kHz	–		LF 481	Catalog: Linear Encoders for Numerically Controlled Machine Tools
	3.6 to 5.25 V	~ 1 V _{PP} ²⁾	20 μm/to ± 3 μm	≥ 150 kHz	to 0.005 μm	EnDat 2.2	LC 483	
	5 V ± 5%	~ 1 V _{PP}	20 μm/to ± 3 μm	≥ 150 kHz	–		LS 487	
	5 V ± 5%	~ 1 V _{PP}	4 μm/± 2 μm	≥ 200 kHz	–		LF 183	Catalog: Linear Encoders for Numerically Controlled Machine Tools
	3.6 to 5.25 V	~ 1 V _{PP} ²⁾	20 μm/to ± 3 μm	≥ 150 kHz	to 0.005 μm	EnDat 2.2	LC 183	
	5 V ± 5%	~ 1 V _{PP}	20 μm/to ± 3 μm	≥ 150 kHz	–		LS 187	
	5 V ± 5%	~ 1 V _{PP}	40 μm/to ± 5 μm	≥ 250 kHz	–		LB 382	

Rotary Encoders and Angle Encoders for Three-Phase AC and DC Motors

General Information

Speed stability

To ensure **smooth drive performance**, an encoder must provide a **large number of measuring steps per revolution**. The encoders in the HEIDENHAIN product program are therefore designed to supply the necessary numbers of signal periods per revolution to meet the speed stability requirement.

HEIDENHAIN rotary and angular encoders featuring integral bearings and stator couplings provide very good performance: shaft misalignment within certain tolerances (see *Specifications*) do not cause any position error or impair speed stability.

At low speeds, the **position error of the encoder within one signal period** affects speed stability. In encoders with purely serial data transmission, the LSB (Least Significant Bit) goes into the speed stability. (See also *Measuring Accuracy*.)

Transmission of measuring signals

To ensure the best possible dynamic performance with digitally controlled motors, the sampling time of the speed controller should not exceed approx. 256 μ s. The feedback values for the position and speed controller must therefore be available in the controlling system with the least possible delay.

High clock frequencies are needed to fulfill such demanding time requirements on position value transfer from the encoder to the controlling system with a serial data transmission (see also *Interfaces; Absolute Position Values*).

HEIDENHAIN encoders for electric drives therefore usually provide additional **incremental signals**, which are available without delay for use in the subsequent electronics for speed and position control. For **standard drives**, manufacturers primarily use HEIDENHAIN absolute encoders without integral bearing (ECI/EQI) or rotary encoders with **TTL or HTL compatible output signals**—as well as additional commutation signals for permanent-magnet dc drives.

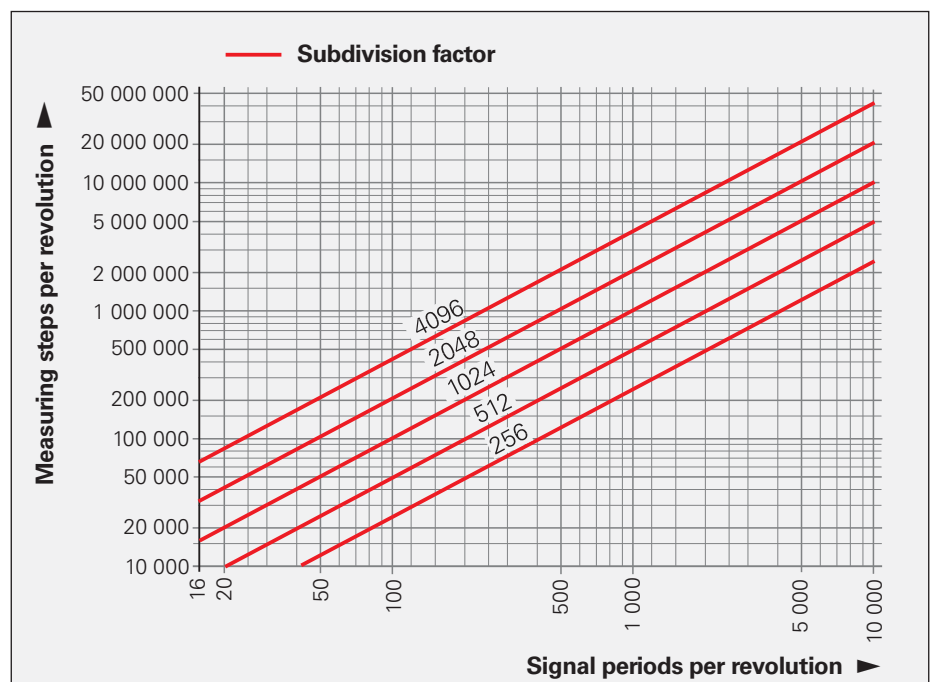
For **digital speed control** on machines with **high requirements for dynamics**, a large number of measuring steps is required—usually above 500 000 per revolution.

For applications with standard drives, as with resolvers, approx. 60 000 measuring steps per revolution are sufficient. HEIDENHAIN encoders for drives with digital position and speed control therefore provide **sinusoidal incremental signals with signal levels of 1 V_{PP}** which, thanks to their high quality, can be highly interpolated in the subsequent electronics (Diagram 1).

For example, a rotary encoder with 2048 signal periods per revolution and a 1024-fold or 4096-fold subdivision in the subsequent electronics produces approx. **2 or 8 million measuring steps per revolution, respectively**. This corresponds to a resolution of 23 bits. Even at shaft speeds of 12 000 rpm, the signal arrives at the input circuit of the controlling system with a frequency of only approx. 400 kHz (Diagram 2). 1 V_{PP} incremental signals permit cable lengths up to 150 meters. (See also *Incremental Signals – 1 V_{PP}*)

Diagram 1:

Signal periods per revolution and the resulting number of measuring steps per revolution as a function of the subdivision factor



HEIDENHAIN absolute encoders for “digital” drives also supply additional sinusoidal incremental signals with the same characteristics as those described above.

Absolute encoders from HEIDENHAIN use the EnDat interface (for **Encoder Data**) for the **serial data transmission** of absolute position values and other information for **automatic self-configuration, monitoring and diagnosis**. (See *Absolute Position Values—EnDat*.) This makes it possible to use the same subsequent electronics and cabling technology for all HEIDENHAIN encoders.

Some absolute encoders such as the ECI/EQI, ECN/EQN 1300, ECN/EQN 400 or the RCN 226 or RCN 729 subdivide already in the encoder the sinusoidal scanning signals with a factor of 4096 or higher. If the transmission of absolute positions is fast enough (for example with EnDat 2.2 with 8 MHz clock frequency), it is possible with these systems to do without incremental signal evaluation.

Bandwidth

The attainable amplification factors for the position and speed control loops, and therefore the bandwidth of the drives for command response and control reliability is sometimes limited by the rigidity of the coupling between the motor shaft and encoder shaft as well as by the natural frequency of the coupling. HEIDENHAIN therefore offers rotary and angular encoders for high-rigidity shaft coupling. The stator couplings mounted on the encoders have a **high natural frequency** up to 2 kHz. (See also *Mechanical Design and Installation*.)

Size

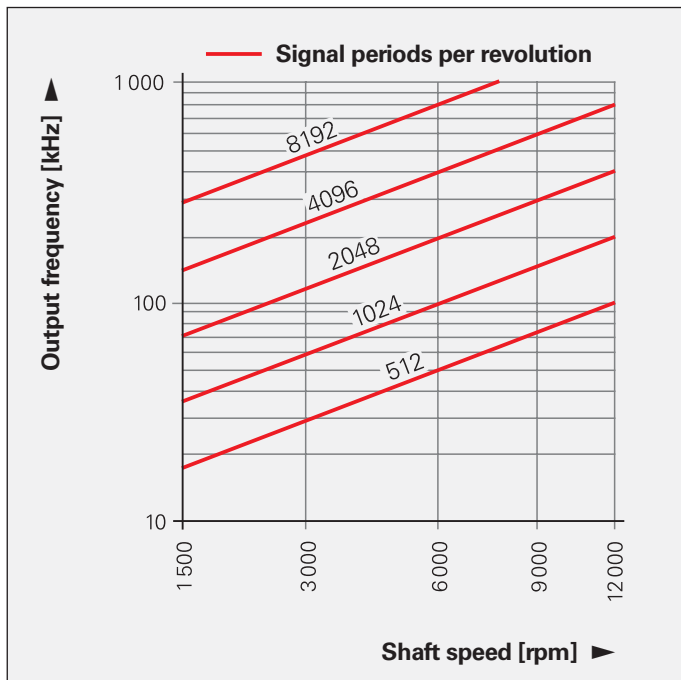
A higher permissible operating temperature permits a smaller motor size for a specific rated torque. Since the temperature of the motor also affects the temperature of the encoder, HEIDENHAIN offers encoders for **permissible operating temperatures up to 120 °C**. These encoders make it possible to design machines with smaller motors.

Power loss and quietness

The power loss of the motor, the accompanying heat generation, and the acoustic noise during operation are influenced by the position error of the encoder within one signal period. For this reason, rotary encoders with a high signal quality of better than 1% of the signal period are preferred. (See also *Measuring Accuracy*.)

Diagram 2:

Shaft speed and resulting output frequency as a function of the number of signal periods per revolution



Linear Encoders for Linear Drives

General Information

Selection criteria for linear encoders

HEIDENHAIN recommends the use of **exposed linear encoders** whenever the severity of contamination inherent in a particular machine environment does not preclude the use of optical measuring systems, and if relatively high accuracy is desired, e.g. for high-precision machine tools and measuring equipment, or for production, testing and inspecting equipment in the semiconductor industry.

Particularly for applications on machine tools that release coolants and lubricants, HEIDENHAIN recommends **sealed linear encoders**. Here the requirements on the mounting surface and on machine guideway accuracy are less stringent than for exposed linear encoders, and therefore installation is faster.

Speed stability

To ensure smooth-running servo performance, the linear encoder must permit a resolution commensurate with the given speed control range:

- On handling equipment, resolutions in the range of several microns are sufficient.
- Feed drives for machine tools need resolutions of 0.1 μm and finer.
- Production equipment in the semiconductor industry requires resolutions of a few nanometers.

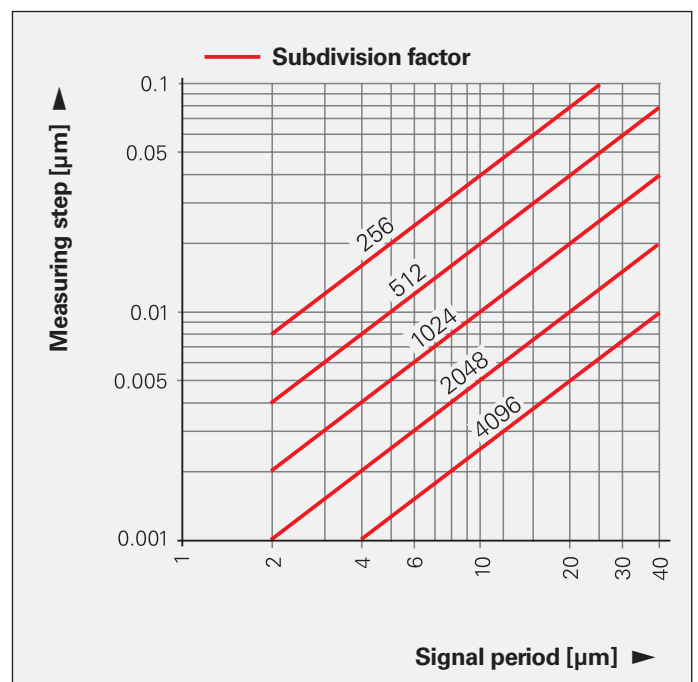
At low traversing speeds, the **position error within one signal period** has a decisive influence on the speed stability of linear motors. (See also *Measuring Accuracy*.)

Traversing speeds

Exposed linear encoders function without contact between the scanning head and the scale. The maximum permissible traversing speed is limited only by the cutoff frequency (-3 dB) of the output signals.

On sealed linear encoders, the scanning unit is guided along the scale on a ball bearing. Sealing lips protect the scale and scanning unit from contamination. The ball bearing and sealing lips permit mechanical traversing speeds up to **120 m/min**.

Signal period and resulting measuring step as a function of the subdivision factor



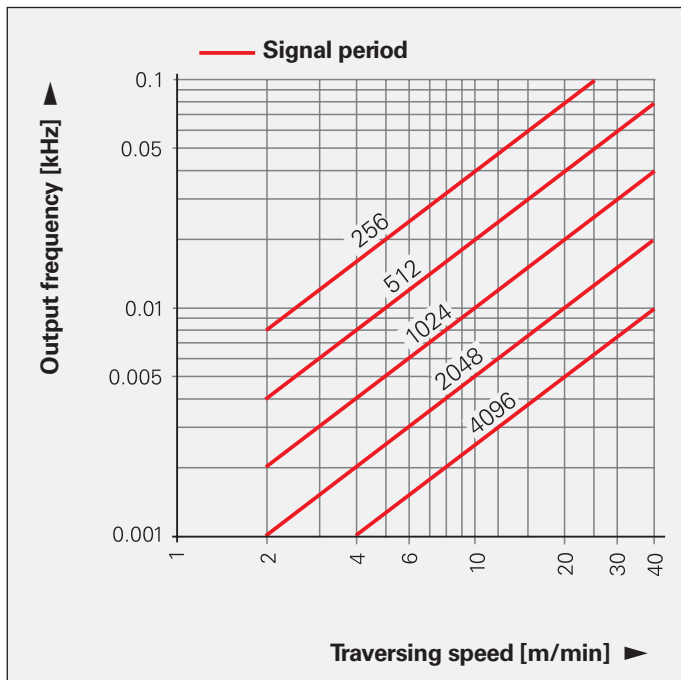
Transmission of measuring signals

The information above on rotary and angular encoder signal transmission essentially applies also for linear encoders.

If, for example, one wishes to traverse at a minimum velocity of 0.01 m/min with a sampling time of 250 μ s, and if one assumes that the measuring step should change by at least one measuring step per sampling cycle, then one needs a measuring step of approx. 0.04 μ m. To avoid the need for special measures in the subsequent electronics, input frequencies should be limited to less than 1 MHz. **Linear encoders with sinusoidal output signals** are therefore best suited for high traversing speeds and small measuring steps. Sinusoidal voltage signals with levels of **1 V_{pp}** attain a -3 dB cutoff frequency of approx. 200 kHz and more at a permissible cable length of up to 150 m.

The figure below illustrates the relationship between output frequency, traversing speeds, and signal periods of linear encoders. Even at a signal period of 4 μ m and a traversing velocity of 120 m/min, the frequency reaches only 500 kHz.

Traversing speed and resulting output frequency as a function of the signal period



Bandwidth

On linear motors, a coupling lacking in rigidity can limit the bandwidth of the position control loop. The manner in which the linear encoder is mounted on the machine has a very significant influence on the rigidity of the coupling. (See *Design Types and Mounting*)

On sealed linear encoders, the scanning unit is guided along the scale. A coupling connects the scanning carriage with the mounting block and compensates the misalignment between the scale and the machine guideways. This permits relatively large mounting tolerances. The coupling is very rigid in the measuring direction and is flexible in the perpendicular direction. If the coupling is insufficiently rigid in the measuring direction, it could cause low natural frequencies in the position and velocity control loops and limit the bandwidth of the drive.

The sealed linear encoders recommended by HEIDENHAIN for linear motors generally have a **natural frequency of coupling greater than 2 kHz in the measuring direction**, which in most applications exceeds the mechanical natural frequency of the machine and the bandwidth of the velocity control loop by factors of 5 to 10. HEIDENHAIN linear encoders for linear motors therefore have practically no limiting effect on the position and speed control loops.

For more information on linear encoders for linear drives, refer to our catalogs "*Exposed Linear Encoders*" and "*Linear Encoders for Numerically Controlled Machine Tools*."

Measuring Principles

Measuring Standard

HEIDENHAIN encoders with optical scanning incorporate measuring standards of periodic structures known as graduations. These graduations are applied to a carrier substrate of glass or steel. The scale substrate for large diameters is a steel tape.

These precision graduations are manufactured in various photolithographic processes. Graduations are fabricated from:

- extremely hard chromium lines on glass or gold-plated steel drums,
- matte-etched lines on gold-plated steel tape, or
- three-dimensional structures on glass or steel substrates.

The photolithographic manufacturing processes developed by HEIDENHAIN produce grating periods of typically 40 μm to 4 μm .

These processes permit very fine grating periods and are characterized by a high definition and homogeneity of the line edges. Together with the photoelectric scanning method, this high edge definition is a precondition for the high quality of the output signals.

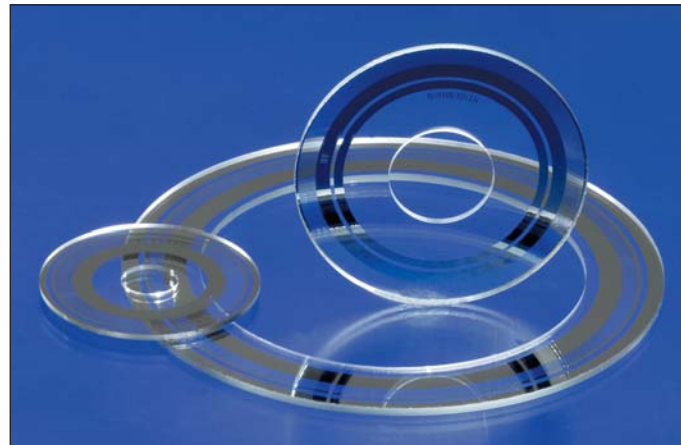
The master graduations are manufactured by HEIDENHAIN on custom-built high-precision ruling machines.

Magnetic encoders use a graduation carrier of magnetizable steel alloy. A graduation consisting of north poles and south poles is formed with a grating period of 400 μm . Due to the short distance of effect of electromagnetic interaction, and the very narrow scanning gaps required, finer magnetic graduations are not practical.

Encoders using the inductive scanning principle have graduation structures of copper.

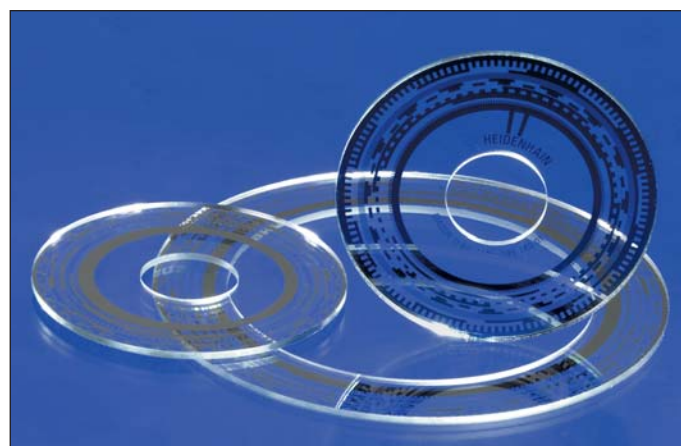
With **incremental encoders**, the graduation consists of the incremental track and a reference mark track. The position information is obtained by counting the individual increments (measuring steps) from some point of reference. The reference mark is used after restarting the machine to find the last reference point selected.

Some rotary encoders feature additional commutation tracks for sensing the rotor position during switch-on (see *Commutation Signals*).



Circular graduations of incremental rotary encoders

Absolute encoders feature multiple coded graduation tracks. The code arrangement provides the absolute position information, which is available immediately after restarting the machine. The track with the finest grating structure is interpolated for the position value and at the same time is used to generate an optional incremental signal (see *Absolute Position Values with EnDat*).



Circular graduations of absolute rotary encoders

Scanning Methods

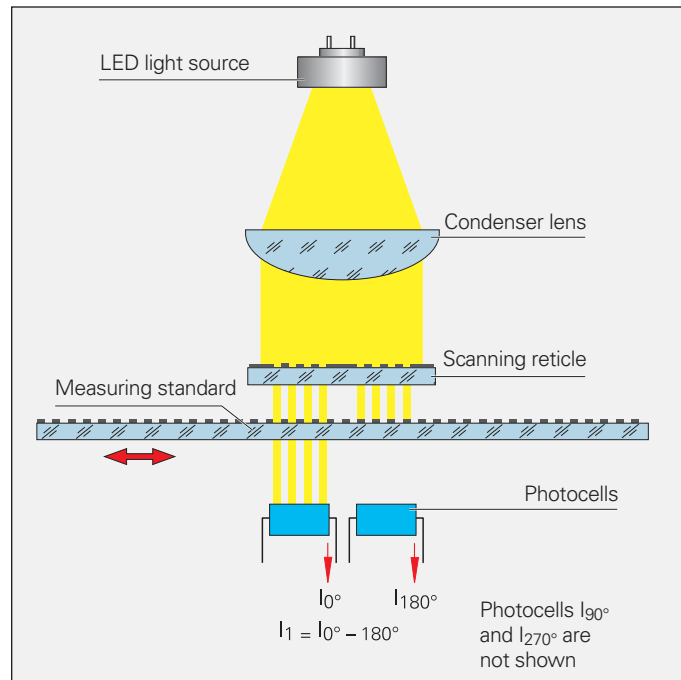
Photoelectric scanning

Most HEIDENHAIN encoders operate using the principle of photoelectric scanning. The photoelectric scanning of a measuring standard is contact-free, and therefore without wear. This method detects even very fine lines, no more than a few microns wide, and generates output signals with very small signal periods.

The ERN, ECN, EQN, ERO and ROD, RCN, RQN rotary encoders use the imaging scanning principle.

Put simply, the imaging scanning principle functions by means of projected-light signal generation: two graduations with equal grating periods are moved relative to each other—the scale and the scanning reticle. The carrier material of the scanning reticle is transparent, whereas the graduation on the measuring standard may be applied to a transparent or reflective surface.

When parallel light passes through a grating, light and dark surfaces are projected at a certain distance. An index grating with the same grating period is located here. When the two gratings move in relation to each other, the incident light is modulated: if the gaps are aligned, light passes through. If the lines of one grating coincide with the gaps of the other, no light passes through. Photovoltaic cells convert these variations in light intensity into nearly sinusoidal electrical signals. Practical mounting tolerances for encoders with the imaging scanning principle are achieved with grating periods of 10 µm and larger.



Photoelectric scanning according to the imaging scanning principle

Other scanning principles

Some encoders function according to other scanning methods. ERM encoders use a permanently magnetized MAGNODUR graduation that is scanned with magnetoresistive sensors.

ECI/EQI rotary encoders operate according to the inductive measuring principle. Here, moving graduation structures modulate a high-frequency signal in its amplitude and phase.

Electronic Commutation with Position Encoders

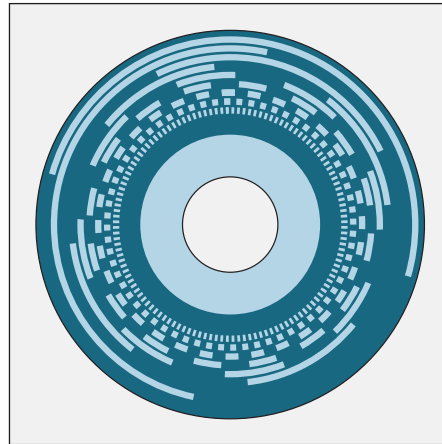
Commutation in permanent-magnet three-phase motors

Before start-up, permanent-magnet three-phase motors must have an absolute position value available for electrical commutation. HEIDENHAIN rotary encoders are available with different types of rotor position recognition:

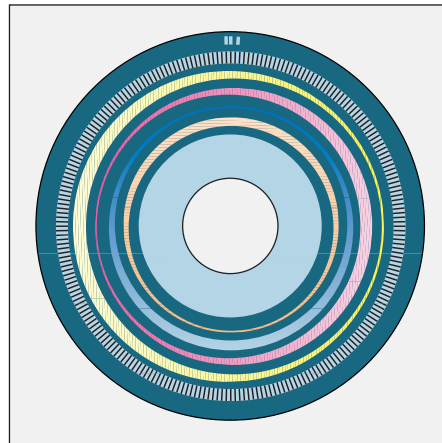
- **Absolute rotary encoders** in singleturn and multiturn versions provide the absolute position information immediately after switch-on. This makes it immediately possible to derive the exact position of the rotor and use it for electronic commutation.
- **Incremental rotary encoders with a second track—the Z1 track**—provide one sine and one cosine signal (C and D) for each motor shaft revolution in addition to the incremental signals. For sine commutation, rotary encoders with a Z1 track need only a subdivision unit and a signal multiplexer to provide both the absolute rotor position from the Z1 track with an accuracy of $\pm 5^\circ$ and the position information for speed and position control from the incremental track (see also *Interfaces—Commutation signals*).
- **Incremental rotary encoders with block commutation tracks** also output three commutation signals I, II, and III, which are used to drive the power electronics directly. These encoders are available with various commutation tracks. Typical versions provide 3 signal periods (120° mech.) or 4 signal periods (90° mech.) per commutation and revolution. Independently of these signals, the incremental square-wave signals serve for position and speed control. (See also *Interfaces—Commutation signals*.)

Commutation of synchronous linear motors

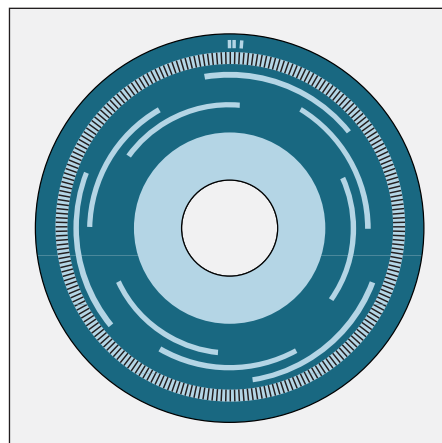
Like absolute rotary and angular encoders, absolute linear encoders of the LC series provide the exact position of the moving motor part immediately after switch-on. This makes it possible to start with maximum holding load on vertical axes even at a standstill.



Schematic representation of a circular scale with absolute grating



Schematic representation of a circular scale Z1 track



Schematic representation of a circular scale with block commutation tracks

Keep in mind the switch-on behavior of the encoders (see *General Electrical Information*).

Measuring Accuracy

The quantities influencing the accuracy of **linear encoders** are listed in the *Linear Encoders for Numerically Controlled Machine Tools* and *Exposed Linear Encoders* catalogs.

The **accuracy of angular measurement** is mainly determined by:

1. Quality of the graduation
2. Quality of scanning
3. Quality of the signal processing electronics
4. Eccentricity of the graduation to the bearing
5. Error due to radial deviation of the bearing
6. Elasticity of the encoder shaft and its coupling with the drive shaft
7. Elasticity of the stator coupling (RON, RPN, RCN) or shaft coupling (ROD)

In positioning tasks, the accuracy of the angular measurement determines the accuracy of the positioning of a rotary axis. The **system accuracy** given in the Specifications is defined as follows:
The extreme values of the total deviations of a position are—referenced to their mean value—within the system accuracy $\pm a$.

- For rotary encoders with integral bearing and integrated stator coupling, this value also includes the deviation due to the shaft coupling.

- For rotary encoders with integral bearing and separate shaft coupling, the angle error of the coupling must be added.
- For rotary encoders without integral bearing, deviations resulting from mounting, from the bearing of the drive shaft, and from adjustment of the scanning head must be expected in addition to the system error (see next page).

The system accuracy reflects position errors within one revolution as well as those within one signal period.

Position errors within one revolution become apparent in larger angular motions.

Position errors within one signal period already become apparent in very small angular motions and in repeated measurements. They especially lead to speed ripples in the rotational-speed control loop.

HEIDENHAIN rotary encoders with integral bearing permit interpolation of the sinusoidal output signal with subdivision accuracies of better than $\pm 1\%$ of the signal period.

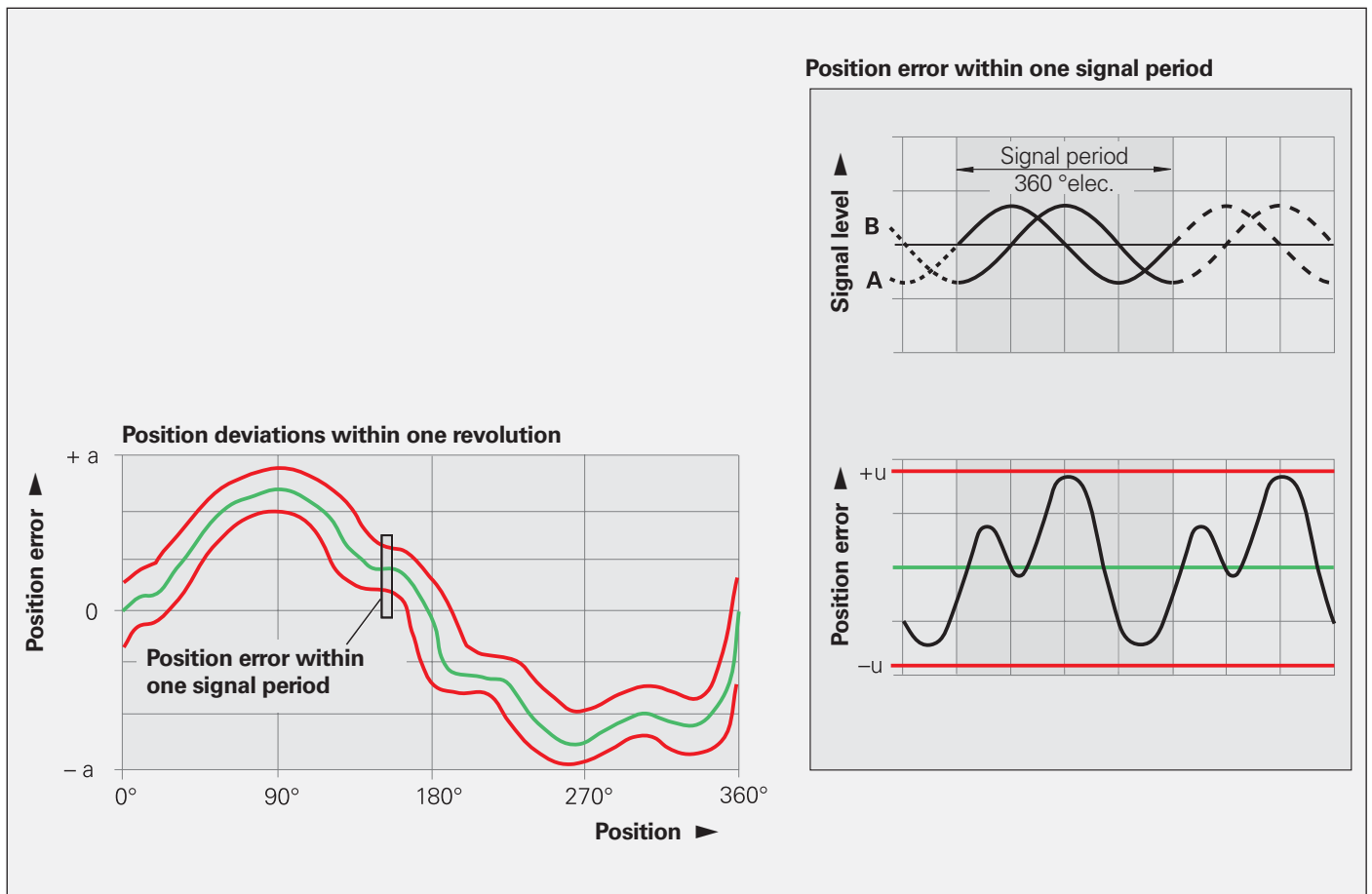
Example

Rotary encoder with 2048 sinusoidal signal periods per revolution:
 One signal period corresponds to approx. $600''$.
 This results in maximum position deviations within one signal period of approx. $\pm 6''$.

The position error of the encoder within one signal period always affects the calculation of the actual speed on the basis of the actual position values of two successive sampling cycles. The position error of the encoder within one revolution is relevant for the speed control loop only if no more than a few actual position values per revolution are being evaluated. For example: a sampling time of $250 \mu\text{s}$ and a speed of $n \approx 24000 \text{ rpm}$ result in only 10 samples per revolution.

Temperatures as high as 120°C such as can typically be found on motors cause only a very small position error in HEIDENHAIN encoders.

Encoders with square-wave output signals have a position error of approx. $\pm 3\%$ of the signal period. These signals are suitable for up to 100-fold phase-locked loop subdivision.



Measuring Accuracy

Rotary Encoders without Integral Bearing

In addition to the system accuracy, the mounting and adjustment of the scanning head normally have a significant effect on the accuracy that can be achieved with rotary encoders without integral bearings. Of special importance are the mounting eccentricity and radial runout of the drive shaft.

Example

ERO 1420 rotary encoder with a mean graduation diameter of 24.85 mm:
A radial runout of the measured shaft of 0.02 mm results in a position error within one revolution of ± 330 angular seconds.

To evaluate the **accuracy of modular rotary encoders without integral bearing** (ERO), each of the significant errors must be considered individually.

1. Directional deviations of the graduation

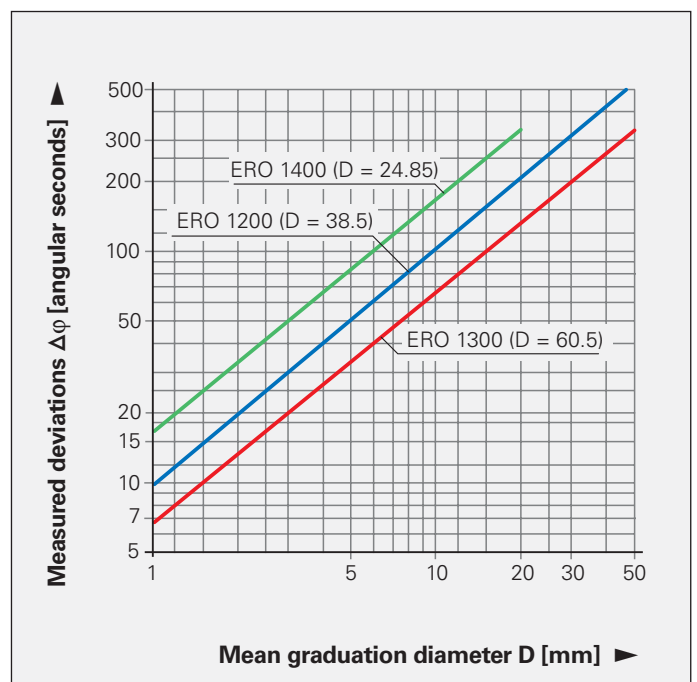
ERO: The extreme values of the directional deviation with respect to their mean value are shown in the *Specifications* as the graduation accuracy for each model. The graduation accuracy and the position error within a signal period comprise the system accuracy.

2. Error due to eccentricity of the graduation to the bearing

Under normal circumstances, the bearing will have a certain amount of radial deviation or geometric error after the disk/hub assembly is mounted. When centering using the centering collar of the hub, please note that, for the encoders listed in this catalog, HEIDENHAIN guarantees an eccentricity of the graduation to the centering collar of under $5 \mu\text{m}$. For the modular rotary encoders, this accuracy value presupposes a diameter deviation of zero between the drive shaft and the "master shaft."

If the centering collar is centered on the bearing, then in a worst-case situation both eccentricity vectors could be added together.

Resultant measured deviations $\Delta\varphi$ for various eccentricity values e as a function of mean graduation diameter D



The following relationship exists between the eccentricity e , the mean graduation diameter D and the measuring error $\Delta\varphi$ (see illustration below):

$$\Delta\varphi = \pm 412 \cdot \frac{e}{D}$$

$\Delta\varphi$ = Measuring error in " (angular seconds)

e = Eccentricity of the radial grating to the bearing in μm

D = Mean graduation diameter in mm

Model	Mean graduation diameter D	Error per $1 \mu\text{m}$ of eccentricity
ERO 1420 ERO 1470 ERO 1480	$D = 24.85 \text{ mm}$	$\pm 16.5''$
ERO 1225 ERO 1285	$D = 38.5 \text{ mm}$	$\pm 10.7''$
ERO 1324 ERO 1384	$D = 60.5 \text{ mm}$	$\pm 6.8''$

3. Error due to radial deviation of the bearing

The equation for the measuring error $\Delta\varphi$ is also valid for radial deviation of the bearing if the value e is replaced with the eccentricity value, i.e. half of the radial deviation (half of the displayed value).

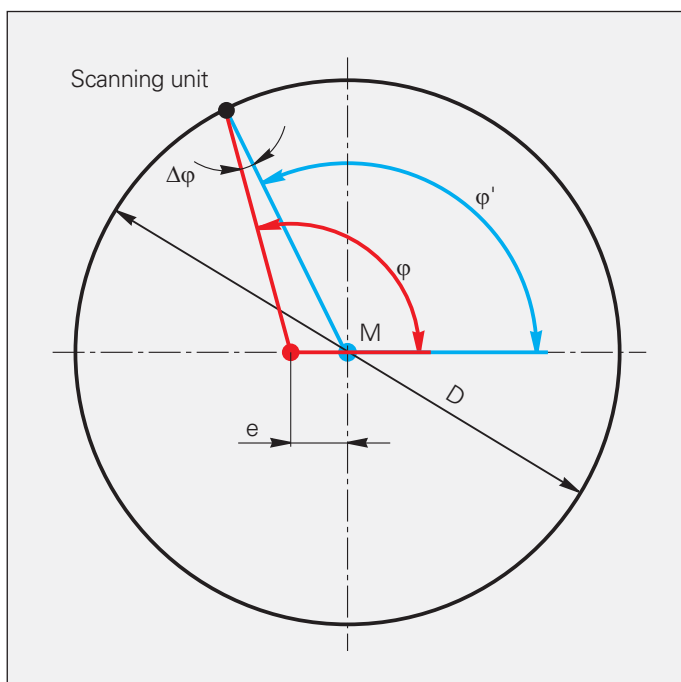
Bearing compliance to radial shaft loading causes similar errors.

4. Position error within one signal period $\Delta\varphi_u$

The scanning units of all HEIDENHAIN encoders are adjusted so that the maximum position error values within one signal period will not exceed the values listed below, with no further electrical adjusting required at mounting.

Model	Line count	Position error within one signal period $\Delta\varphi_u$	
		TTL	1 V_{PP}
ERO	5000	$\leq \pm 8.0''$	$\leq \pm 2.7''$
	2048	$\leq \pm 19.0''$	$\leq \pm 6.5''$
	1500	$\leq \pm 26.0''$	$\leq \pm 8.7''$
	1024	$\leq \pm 38.0''$	$\leq \pm 13.0''$
	1000	$\leq \pm 40.0''$	$\leq \pm 14.0''$
	512	$\leq \pm 76.0''$	$\leq \pm 25.0''$

The values for the position errors within one signal period are already included in the system accuracy. Larger errors can occur if the mounting tolerances are exceeded.



Measuring error $\Delta\varphi$ as a function of the mean graduation diameter D and the eccentricity e

M Center of graduation
 φ "True" angle
 φ' Scanned angle

Mechanical Design Types and Mounting

Rotary Encoders with Integral Bearing and Stator Coupling

ECN/EQN/ERN rotary encoders have integrated bearings and a mounted stator coupling. The encoder shaft is directly connected with the shaft to be measured. During angular acceleration of the shaft, the stator coupling must absorb only that torque caused by friction in the bearing. ECN/EQN/ERN rotary encoders therefore provide excellent dynamic performance and a high natural frequency.

Benefits of the stator coupling:

- No axial mounting tolerances between shaft and stator housing for ExN 1300 and ExN 1100
- High natural frequency of the coupling
- High torsional rigidity of shaft coupling
- Low mounting or installation space requirement
- Simple installation

Mounting the ECN/EQN/ERN 1100 and ECN/EQN/ERN 1300

The blind hollow shaft or the taper shaft of the rotary encoder is connected at its end through a central screw with the measured shaft. The encoder is centered on the motor shaft by the hollow shaft or taper shaft. The stator of the encoder is clamped in a location hole by an axially tightened screw, or on the ECN/EQN 1100 with $\varnothing 37$ mm diameter, by a radially expanding screw.

Mounting the ERN 1000

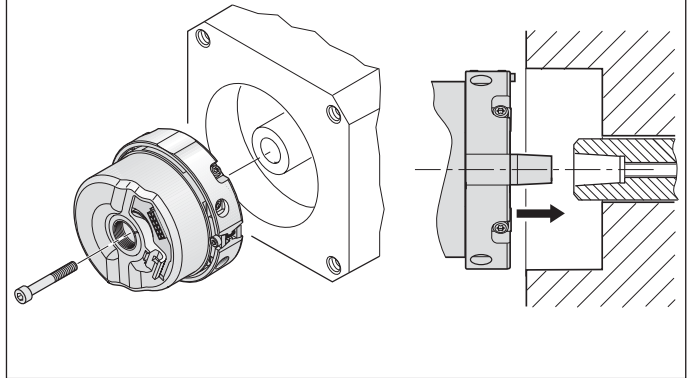
The rotary encoder is slid by its blind hollow shaft onto the measured shaft and fastened by two screws or three eccentric clamps. The stator is mounted without a centering flange to a flat surface with four cap screws or with 2 cap screws and special washers.

Mounting accessories for the ERN 1000

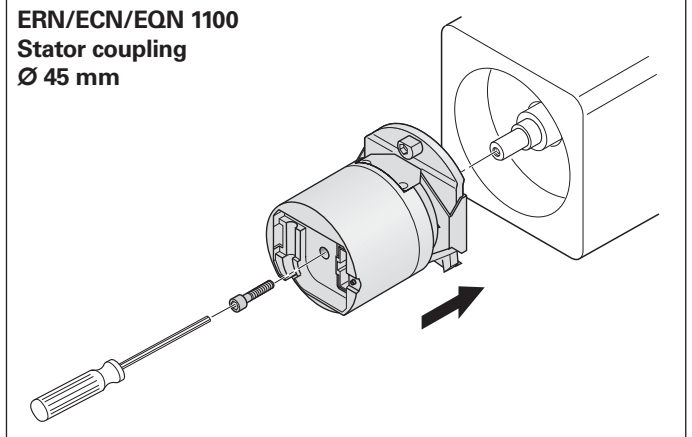
Washer

For increasing the natural frequency f_N and mounting with only two screws
Id. Nr. 334653-01 (2 pieces)

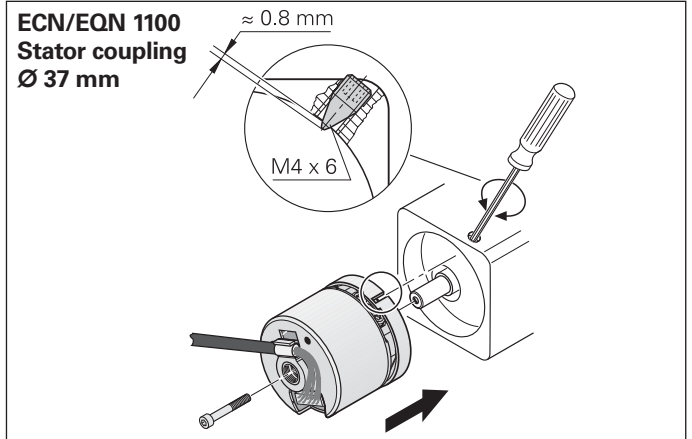
ERN/ECN/EQN 1300



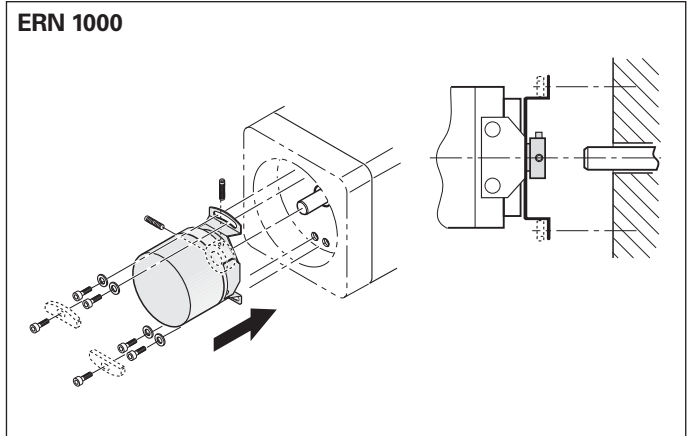
ERN/ECN/EQN 1100
Stator coupling
 $\varnothing 45$ mm



ECN/EQN 1100
Stator coupling
 $\varnothing 37$ mm



ERN 1000



Mounting accessories

Screwdriver bit

for HEIDENHAIN shaft couplings, for ExN 100/400/1000 shaft clamps, for ERO shaft clamps

Width across flats	Length	Id. Nr.
2 (ball head)	70 mm	350378-04
3 (ball head)		350378-08
1.5		350378-01
2		350378-03
2.5		350378-05
4		350378-07
TX8		89 mm 152 mm

Screwdriver

Adjustable torque

0.2 Nm to 1.2 Nm

Id. Nr. 350379-04

1 Nm to 5 Nm

Id. Nr. 350379-05



Extraction tool

For removing the PCB connector from the ERN 1120 and ERN 1180

Id. Nr 592818-01

Mechanical Design Types and Mounting

Rotary Encoders without Integral Bearing

The **ERO, ECI/EQI** rotary encoders without integral bearing consist of a scanning head and a graduated disk, which must be adjusted to each other very exactly. A precise adjustment is an important factor for the attainable measuring accuracy.

The **ERO** modular rotary encoders consist of a graduated disk with hub and a scanning unit. They are particularly well suited for applications with limited installation space and negligible axial and radial runout, or for applications where friction of any type must be avoided.

In the **ERO 1200** series, the disk/hub assembly is slid onto the shaft and adjusted to the scanning unit. The scanning unit is aligned on a centering collar and fastened on the mounting surface.

With the **ERO 1300** series, the scanning unit can be mounted from the side, permitting installation on a through shaft.

The **ERO 1400** series consists of miniature modular encoders. These rotary encoders have a special built-in **mounting aid** that centers the graduated disk to the scanning unit and adjusts the gap between the disk and the scanning reticle. This makes it possible to install the encoder in a very short time. The encoder is supplied with a cover cap for protection from extraneous light.

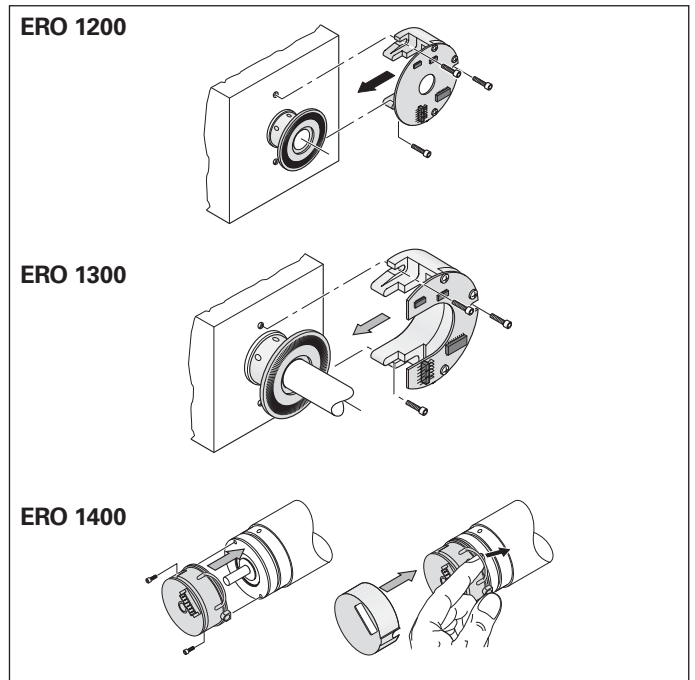
Mounting accessories ERO 1400

Mounting accessories

Aid for removing the clip for optimal encoder mounting
Id. Nr. 510175-01

Accessories

Housing for ERO 14xx with axial PCB connector and central hole
Id. Nr. 331727-23

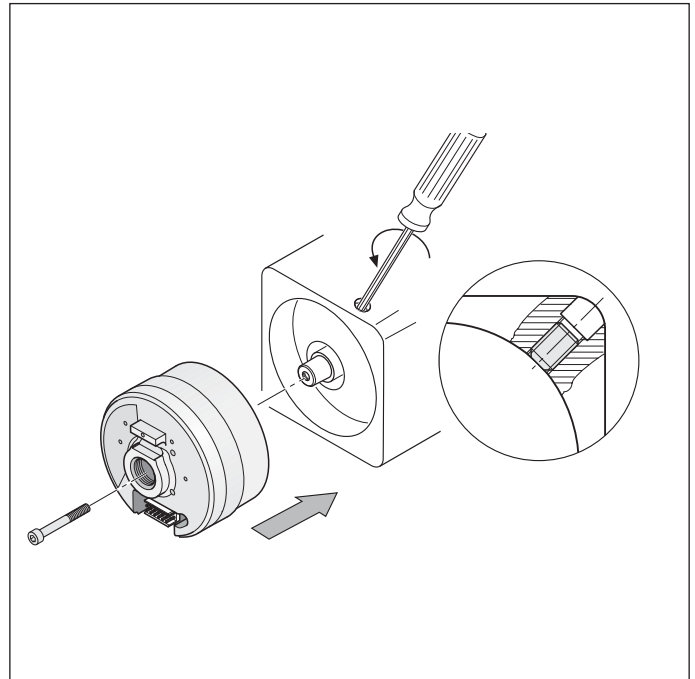


Mounting the **ERO** modular rotary encoder



Mounting accessories
ERO 1400

The inductive rotary encoders **ECI/EQI 1100** are mechanically compatible with the photoelectric encoders ExN 1100: the bottomed hollow shaft is fastened with a central screw. The stator of the encoder is clamped by a radially tightened screw in the location hole.



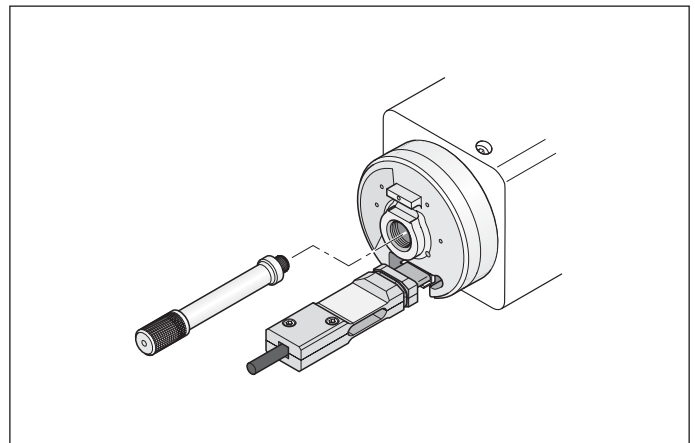
Mounting the **ECI/EQI 1100**

Accessories for adjustment of the ECI/EQI 1100

To adjust the encoder, you will need:

Adjusting screw M8

For setting the scanning gap
Id. Nr. 377567-05



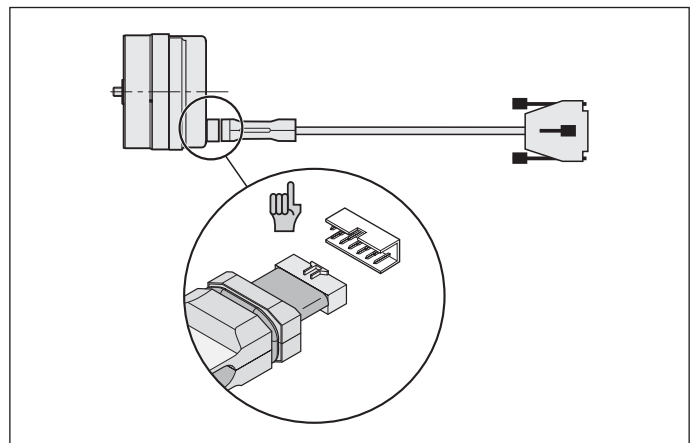
Encoder cable

for IK 215, includes adapter connector
Id. Nr. 528703-02

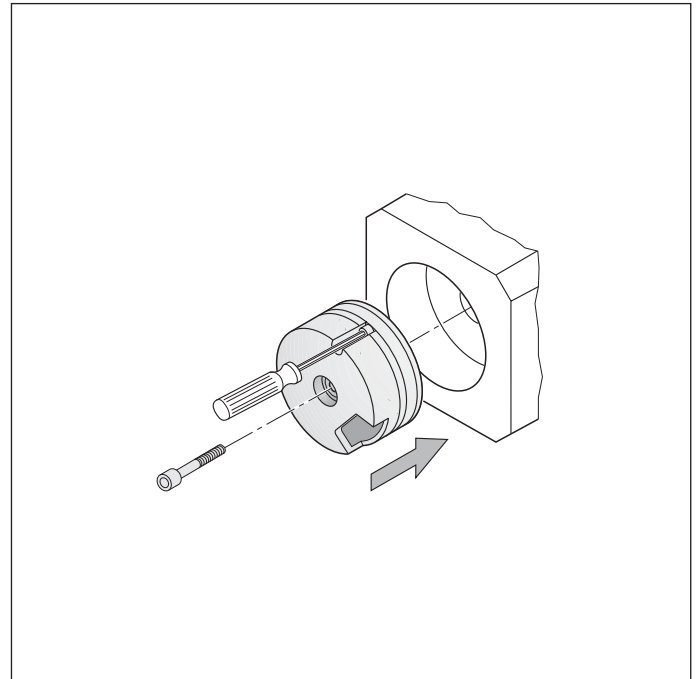
Software (for Windows 2000/XP)
for inspecting the output signals in combination with the absolute value card IK 215 (see *HEIDENHAIN Measuring and Testing Devices*)
Id. Nr. 539862-xx

Adapter connector

3 connectors for replacement
Id. Nr. 528694-01



The **ECI/EQI 1300** inductive rotary encoders are mechanically compatible with the ExN 1300 photoelectric encoders. The taper shaft (a bottomed hollow shaft is available as an alternative) is fastened with a central screw. The stator of the encoder is clamped by an axially tightened screw in the location hole.



Mounting the **ECI/EQI 1300**

Accessories for adjustment of the ECI/EQI 1300

To adjust the encoder, you will need:

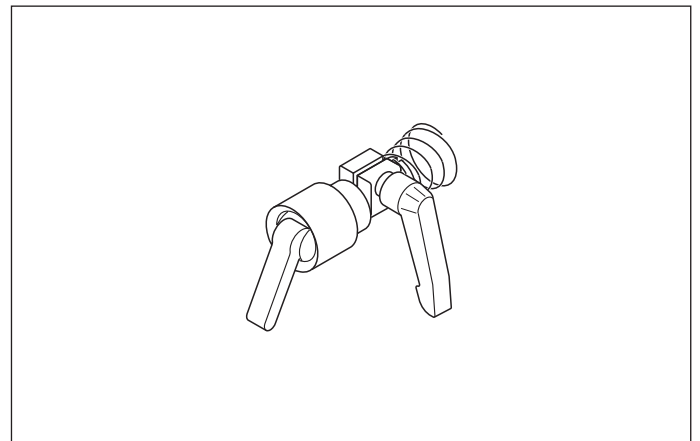
Adjustment aid for setting the gap
Id. Nr. 335 529-xx

Mounting aid for adjusting the rotor position to the motor emf
Id. Nr. 352 481-xx

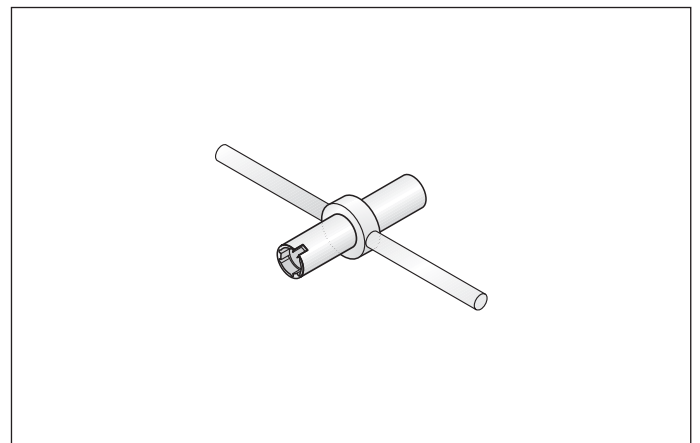
Encoder cable
for IK 215, includes adapter connector
Id. Nr. 528 703-02

Software (for Windows 2000/XP)
for inspecting the output signals in combination with the absolute value card IK 215 (see *HEIDENHAIN Measuring and Testing Devices*)
Id. Nr. 539 862-xx

Adapter connector
3 connectors for replacement
Id. Nr. 528 694-01



Adjustment aid



Mounting aid

Aligning the Rotary Encoders to the Motor EMF

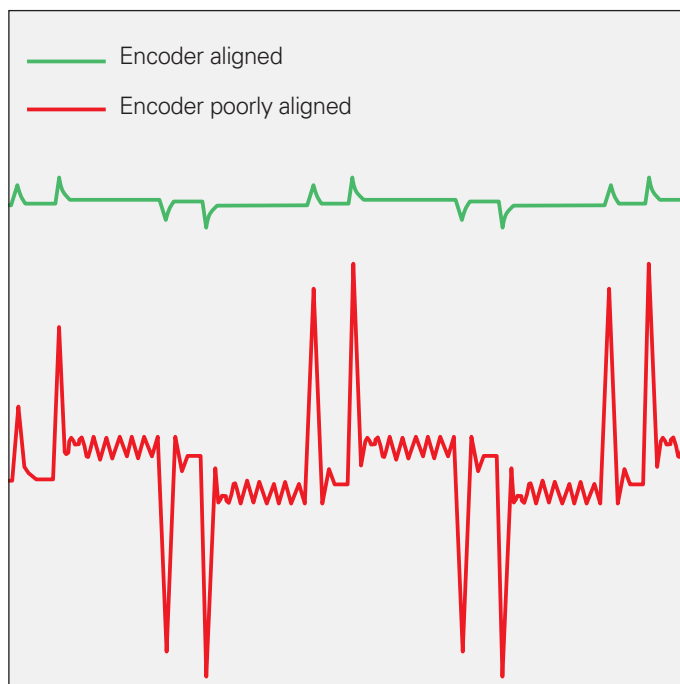
Synchronous motors require information on the rotor position immediately after switch-on. This information can be provided by rotary encoders with additional commutation signals, which provide relatively coarse position information. Also suitable are absolute rotary encoders in multiturn and singleturn versions, which transmit the exact position information within a few seconds of arc (see also *Electronic Commutation with Position Encoders*). When these encoders are mounted, the rotor positions of the encoder must be assigned to those of the motor in order to ensure the most constant possible motor current. Inadequate assignment to the motor emf will cause loud motor noises and high power loss.

Rotary encoders with integral bearing

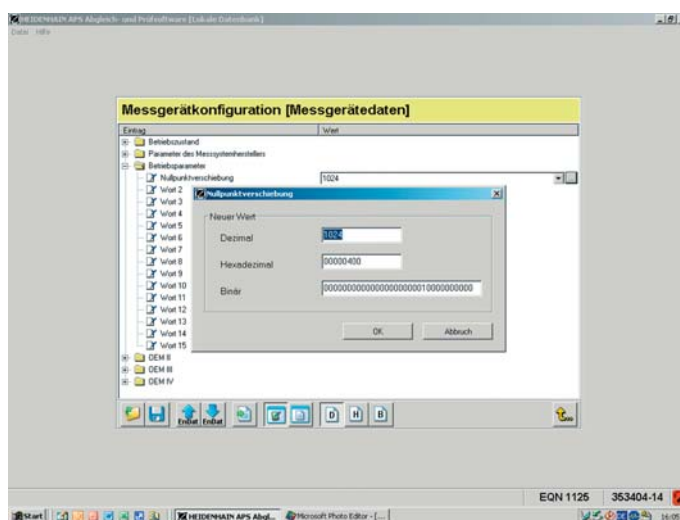
First, the rotor of the motor is brought to a preferred position by the application of a dc current. **Rotary encoders with commutation signals** are aligned approximately—for example with the aid of the line markers on the encoder or the reference mark signal—and mounted on the motor shaft. The fine adjustment is quite easy with a PWM 9 phase angle measuring device (see *HEIDENHAIN Measuring and Testing Devices*): the stator of the encoder is turned until the PWM 9 displays, for example, the value zero as the distance from the reference mark. **Absolute rotary encoders** are at first mounted as a complete unit. Then the preferred position of the motor is assigned the value zero. The IK 215 adapter card for PCs and the accompanying software (see *HEIDENHAIN Measuring and Testing Devices*) serve this purpose. They feature the complete range of EnDat functions and make it possible to shift datums, set write protection against unintentional changes in saved values, and use further inspection functions.

Rotary encoders without integral bearing

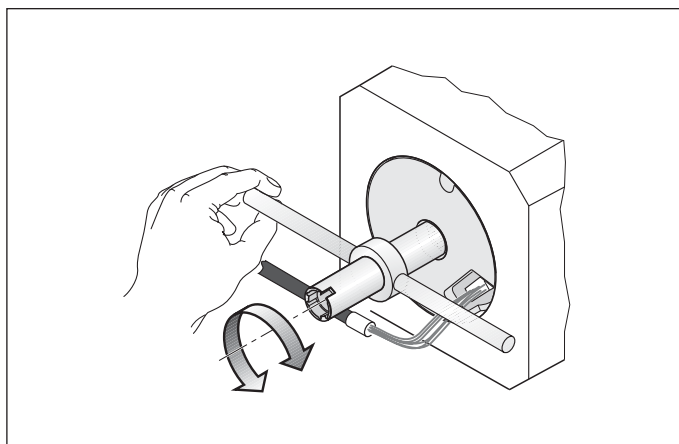
ECI/EQI rotary encoders are mounted as complete units and then adjusted with the aid of the IK 215 adapter card for PCs and the accompanying software. For the ECI/EQI 1300, the central screw is loosened again and the encoder rotor is turned with the mounting aid to the desired position until, for example, an absolute value of approximately zero appears in the position data. For the ECI/EQI with pure serial operation (EnDat 21), electronic compensation is also possible: the ascertained compensation value is saved in the encoder and can be read out by the control electronics to calculate the position value.



Motor current of adjusted and very poorly adjusted rotary encoder



Aligning the rotary encoder to the motor emf with the aid of the adjusting and testing software for the IK 215



Manual alignment of ECI/EQI 1300

General Mechanical Information

UL certification

All rotary encoders and cables in this brochure comply with the UL safety regulations "cULus" for the USA and the "CSA" safety regulations for Canada. They are listed under file no. **E205635**.

Acceleration

Encoders are subject to various types of acceleration during operation and mounting.

- The indicated maximum values for **vibration** apply for frequencies of 55 to 2000 Hz at room temperature (IEC 60068-2-6). If the operating temperatures exceed the values given in the specifications, the vibration load must be reduced (see *Specifications*). Any acceleration exceeding permissible values, for example due to resonance depending on the application and mounting, might damage the encoder. **Comprehensive tests of the entire system are required.**

- The maximum permissible acceleration values (semi-sinusoidal shock) for **shock and impact** are valid for 6 ms (IEC 60068-2-27). Under no circumstances should a hammer or similar implement be used to adjust or position the encoder.
- The **permissible angular acceleration** for all rotary encoders and angle encoders is over 10^5 rad/s^2 .

The maximum values for vibration and shock indicate the limits up to which the encoder can be operated without failure. For an encoder to realize its highest potential accuracy, the environmental and operating conditions described under *Measuring Accuracy* must be ensured.

If the application includes increased shock and vibration loads, please ask for comprehensive assistance from HEIDENHAIN.

Humidity

The max. permissible relative humidity is 75%. 95% are permissible temporarily. Condensation is not permissible.

Natural frequency f_N of coupling

Angle encoders and rotary encoders, together with the separate shaft coupling or the mounted stator coupling, form a single vibrating spring-mass system whose natural frequency should be as high as possible.

For the **ROC, ROQ, ROD**, the natural frequency f_N depends, besides the moment of inertia of the rotor, primarily on the torsional rigidity C of the **shaft coupling**.

$$f_N = \frac{1}{2 \cdot \pi} \cdot \sqrt{\frac{C}{I}}$$

f_N : Natural frequency of coupling in Hz

C : Torsional rigidity of the coupling in Nm/rad

I : Moment of inertia of the rotor in kgm^2

For the encoders with stator couplings, **ECN, EQN, ERN, and RCN, RPN, RON**, the natural frequency of coupling is determined by the stator coupling and the stator.

If radial and/or axial acceleration forces are added, the stiffness of the encoder bearings and the encoder stators are also significant. If such loads occur in your application, HEIDENHAIN recommends consulting with the main facility in Traunreut.

Magnetic fields

Magnetic fields $> 30 \text{ mT}$ can impair the proper function of encoders. If required, please contact HEIDENHAIN, Traunreut.

Protection against contact (IEC 60529)

After encoder installation, all rotating parts must be protected against accidental contact during operation.

Protection (IEC 60529)

The degree of protection shown in the catalog is adapted to the usual mounting conditions. You will find the respective values in the *Specifications*. If the given degree of protection is not sufficient (such as when the encoders are mounted vertically), the encoders should be protected by suited measures such as covers, labyrinth seals, or other methods. Splash water must not contain any substances that would have harmful effects on the encoder parts.

Expendable parts

HEIDENHAIN encoders contain components that are subject to wear, depending on the application and manipulation. These include in particular the following parts:

- LED light source
 - Cables with frequent flexing
- Additionally for encoders with integral bearing:
- Bearings
 - Shaft sealing rings for rotary and angular encoders
 - Sealing lips for sealed linear encoders

System tests

Encoders from HEIDENHAIN are usually integrated as components in larger systems. Such applications require **comprehensive tests of the entire system** regardless of the specifications of the encoder.

The specifications given in the brochure apply to the specific encoder, not to the complete system. Any operation of the encoder outside of the specified range or for any other than the intended applications is at the user's own risk. In safety-oriented systems, the higher-level system must verify the position value of the encoder after switch-on.

Assembly

Work steps to be performed and dimensions to be maintained during mounting are specified solely in the mounting instructions supplied with the unit. All data in this catalog regarding mounting are therefore provisional and not binding; they do not become terms of a contract.

Temperature ranges

For the unit in its packaging, the **storage temperature range** is -30 to 80 °C

The operating temperature range

indicates the temperatures the encoder may reach during operation in the actual installation environment. The function of the encoder is guaranteed within this range (DIN 32878). The operating temperature is measured on the face of the encoder flange and must not be confused with the ambient temperature.

The temperature of the encoder is influenced by:

- Mounting conditions
- The ambient temperature
- Self-heating of the encoder

The self-heating of an encoder depends both on its design characteristics (stator coupling/solid shaft, shaft sealing ring, etc.) and on the operating parameters (rotational speed, power supply). Higher heat generation in the encoder means that a lower ambient temperature is required to keep the encoder within its permissible operating temperature range. These tables show the approximate values of self-heating to be expected in the encoders. In the worst case, a combination of operating parameters can exacerbate self-heating, for example a 30 V power supply and maximum rotational speed. Therefore, the actual operating temperature should be measured directly at the encoder if the encoder is operated near the limits of permissible parameters. Then suitable measures should be taken (fan, heat sinks, etc.) to reduce the ambient temperature far enough so that the maximum permissible operating temperature will not be exceeded during continuous operation. For high speeds at maximum permissible ambient temperature, special versions are available on request with reduced degree of protection (without shaft seal and its concomitant frictional heat).

Self-heating at supply voltage

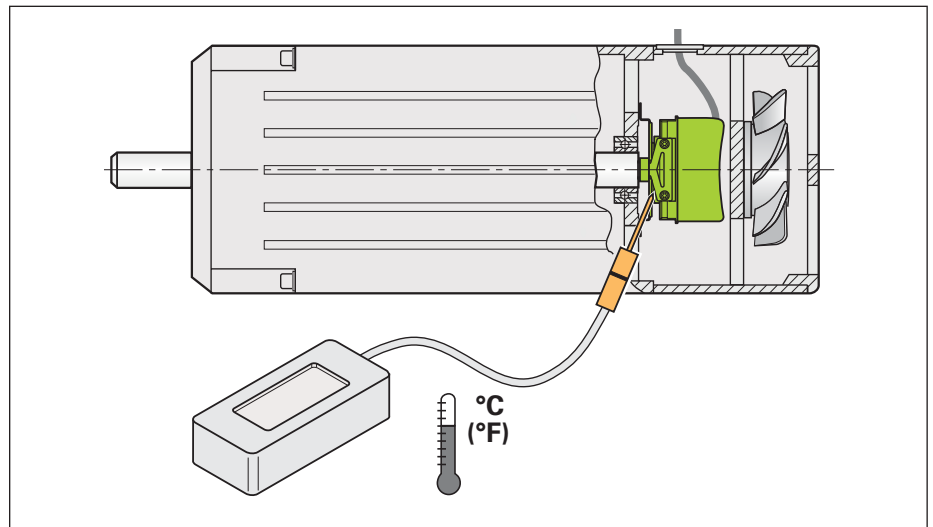
	15 V	30 V
ERN/ROD	Approx. 5 K	Approx. +10 K
ECN/EQN/ROC/ROQ	Approx. 5 K	Approx. +10 K

Typical self-heating of the encoder at power supplies from 10 to 30 V. In 5-V versions, self-heating is negligible.

Heat generation at speed n_{max}

Solid shaft	ROC/ROQ/ROD	Approx. + 5 K with protection class IP 64 Approx. + 10 K with protection class IP 66
Blind hollow shaft	ECN/EQN/ERN 400	Approx. + 30 K with protection class IP 64 Approx. + 40 K with protection class IP 66
	ERN 1000	Approx. +10 K
Hollow through shaft	ECN/ERN 100 ECN/EQN/ERN 400	Approx. + 40 K with protection class IP 64 Approx. + 50 K with protection class IP 66

An encoder's typical self-heating values depend on its design characteristics at maximum permissible speed. The correlation between rotational speed and heat generation is nearly linear.

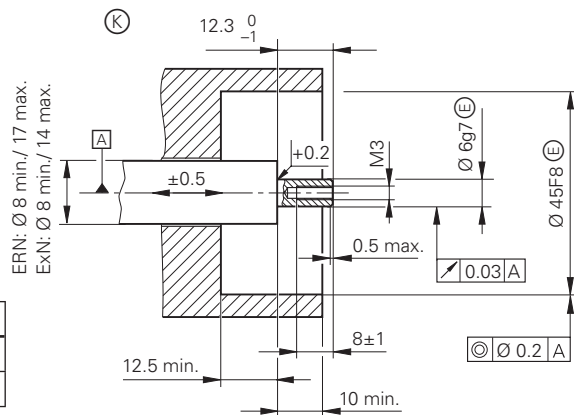
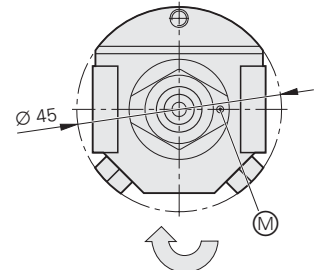
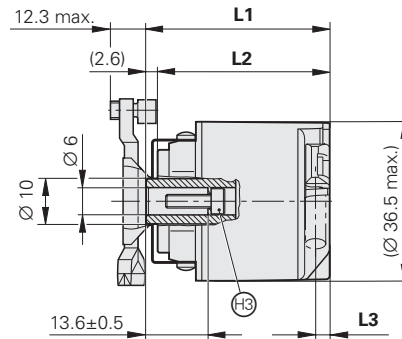
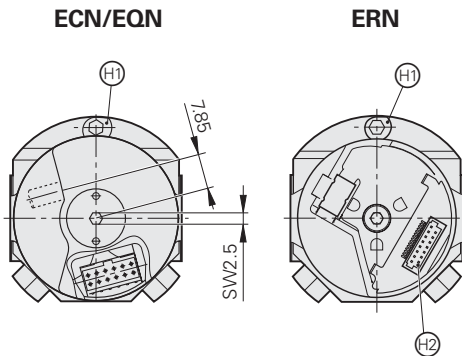


Measuring the actual operating temperature at the defined measuring point of the rotary encoder (see *Specifications*)

ERN/ECN/EQN 1100 Series

Rotary Encoders with Integral Bearings for Integration in Motors

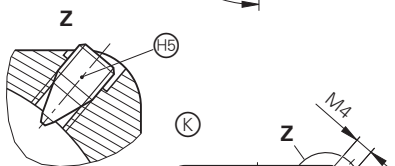
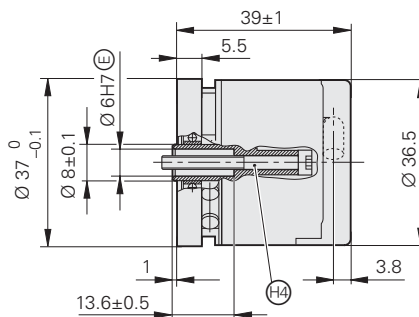
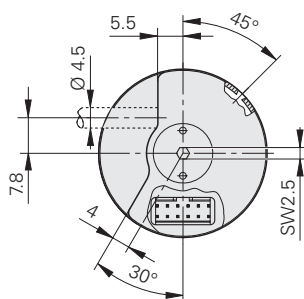
- Mounted stator coupling $\varnothing 45$ mm or $\varnothing 37$ mm (for ECN/EQN)
- Compact dimensions
- Blind hollow shaft



ERN: $\varnothing 8$ min./17 max.
ExN: $\varnothing 8$ min./14 max.

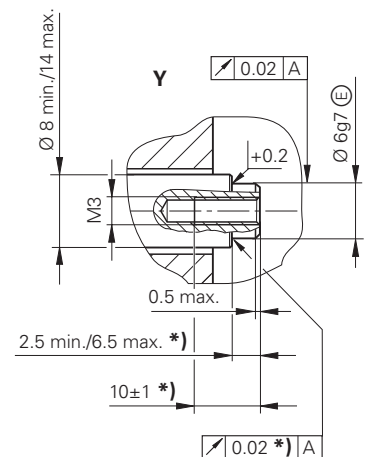
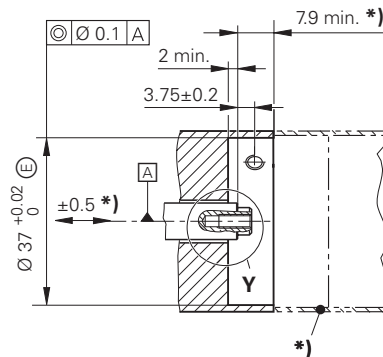
	L1	L2	L3
ERN	40.4 +0.5/-1.1	(378)	3.25 ± 0.5
ECN/EQN	42.45 ± 1	(3755)	3.9

ECN/EQN



Dimensions in mm

Tolerancing ISO 8015
ISO 2768 - m H
< 6 mm: ± 0.2 mm



⊠ = Bearing

⊙ = Required mating dimensions

⊕ = Measuring point for operating temperature

⊕ = To fasten the ring coupling, turn the eccentric screw (M4) to the right by approx. 90°. Tightening torque 2 ± 0.1 Nm

⊕ = **ERN:** Connector 15-pin; **ERN 1185:** Connector 14-pin

⊕ = M3 x 10 ISO 4762 max. torque 1.2 ± 0.1 Nm, width A/F 2.5






⊕ = Self-locking screw ISO 4762 width A/F 2.5, ECN: M3 x 16, EQN: M3 x 30. Tightening torque 1.2 ± 0.1 Nm

⊕ = Special setscrew M4x7.8 to fasten the ring coupling, width A/F 2. Tightening torque 0.45 ± 0.05 Nm.

Before coupling is mounted, screw is driven in to protrude by approx. 0.8 mm

*) = For different dimensions of ECN/EQN 1100, see page 42

↻ Direction of shaft rotation for output signals as per the interface description

	Absolute		Incremental		
	ECN 1113	EQN 1125	ERN 1120	ERN 1180	ERN 1185
Incremental signals	 $V_{PP}^{1)}$			 $V_{PP}^{1)}$	 $V_{PP}^{1)}$
Line count*/ System accuracy	512/± 60"		1024/± 64" 2048/± 32" 3600/± 18"		512/± 60" 2048/± 40"
Reference mark	–		One		
Scanning frequency	–		≤ 300 kHz	–	–
Edge separation a	–		≥ 0.39 μs	–	–
Cutoff frequency –3dB	≥ 200 kHz		–	≥ 180 kHz	512 lines: ≥ 100 kHz 2048 lines: ≥ 350 kHz
Absolute position values	EnDat 2.1		–		 $V_{PP}^{1)}$
Ordering designation	EnDat 01				
Position values/rev	8192 (13 bits)		–		Z1 track ²⁾
Revolutions	–	4096 (12 bits)	–		
Elec. permissible speed/ System accuracy	4000 rpm/± 1 LSB 12000 rpm/± 16 LSB		–		
Calculation time t_{cal}	≤ 0.25 μs		–		
Power supply	5 V ± 5%		5 V ± 10%		
Current consumption (without load)	≤ 160 mA	≤ 200 mA	≤ 120 mA		
Electrical connection	Via 12-pin PCB connector		Via 15-pin PCB connector		14-pin
Shaft	Blind hollow shaft Ø 6 mm		Blind hollow shaft Ø 6 mm		
Stator coupling*	Ø 45 mm or Ø 37 mm		Ø 45 mm		
Mech. perm. speed n	12000 rpm		12000 rpm		
Starting torque	≤ 0.001 Nm (at 20 °C)		≤ 0.001 Nm (at 20 °C)		
Moment of inertia of rotor	Approx. $0.4 \cdot 10^{-6} \text{ kgm}^2$		Approx. $0.3 \cdot 10^{-6} \text{ kgm}^2$		
Natural frequency of stator coupling	≥ 1500 Hz		≥ 1500 Hz		
Permissible axial motion of measured shaft	± 0.5 mm		± 0.5 mm		
Vibration 55 to 2000 Hz Shock 6 ms	≤ 200 m/s ² (IEC 60068-2-6) ≤ 1000 m/s ² (IEC 60068-2-27)		≤ 100 m/s ² (IEC 60068-2-6) ≤ 1000 m/s ² (IEC 60068-2-27)		
Max. operating temp.	115 °C		100 °C		115 °C
Min. operating temp.	–40 °C		–30 °C		
Protection IEC 60529	IP 40 when mounted		IP 40 when mounted		
Weight (approx.)	0.1 kg		0.1 kg		

* Please indicate when ordering

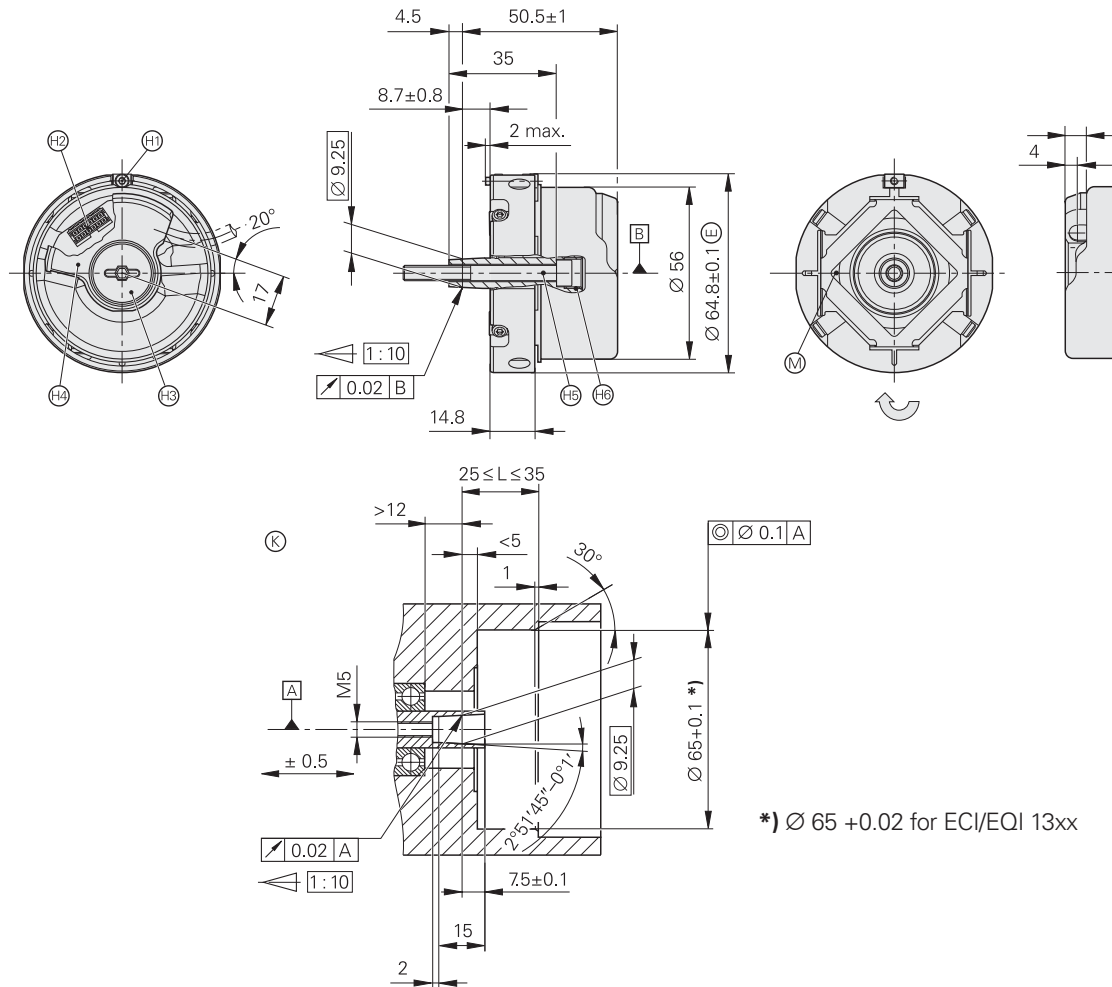
¹⁾ Restricted tolerances Signal amplitude: 0.80 to 1.2 V_{PP}
 Asymmetry: 0.05
 Amplitude ratio: 0.9 to 1.1
 Phase angle: $90^\circ \pm 5^\circ$ elec.
 Signal-to-noise ratio E, F: 100 mV

²⁾ For sine commutation: One sine and one cosine signal per revolution

ECN/EQN 1300 Series

Rotary Encoders with Integral Bearings for Integration in Motors

- Mounted stator coupling
- Installation diameter 65 mm
- Taper shaft



*) Ø 65 +0.02 for ECI/EQI 13xx

Dimensions in mm



Tolerancing ISO 8015
ISO 2768 - m H
< 6 mm: ±0.2 mm

- ⌈A⌋ = Bearing of mating shaft
- ⌈B⌋ = Bearing of encoder
- ⊙K = Required mating dimensions
- ⊙M = Measuring point for operating temperature
- ⊙H1 = Clamping screw for coupling ring – width A/F 2; Tightening torque 1.25 Nm
- ⊙H2 = ERN/ECN/EQN: Plug connector 12-pin (and 4 pins for temperature sensor, on ECN 1325/EQN 1337)
ERN with Z1 track: Plug connector 14-pin
ERN with block commutation: Plug connector 16-pin
- ⊙H3 = Screw plug sizes 3 and 4; tightening torque 5 +0.5 Nm
- ⊙H4 = Die-cast cover
- ⊙H5 = Self-tightening screw M5 x 50 DIN 6912 width A/F 4; tightening torque 5 +0.5 Nm
- ⊙H6 = Back-off thread M10
- ↻ = Direction of shaft rotation for output signals as per the interface description

	Absolute			
	ECN 1313	ECN 1325	EQN 1325	EQN 1337
Incremental signals	$\sim V_{PP}^{1)}$	–	$\sim V_{PP}^{1)}$	–
Line count*/ System accuracy	512/± 60" 2048/± 20"	2048/± 20"	512/± 60" 2048/± 20"	2048/± 20"
Cutoff frequency –3dB	2048 lines: ≥ 200 kHz 512 lines: ≥ 100 kHz	–	2048 lines: ≥ 200 kHz 512 lines: ≥ 100 kHz	–
Absolute position values	EnDat 2.2			
Ordering designation	EnDat 01	EnDat 22	EnDat 01	EnDat 22
Position values/rev	8192 (13 bits)	33554432 (25 bits)	8192 (13 bits)	33554432 (25 bits)
Revolutions	–		4096 (12 bits)	
Elec. permissible speed/ System accuracy	512 lines: 5000 rpm/± 1 LSB 12000 rpm/± 100 LSB 2048 lines: 1500 rpm/± 1 LSB 12000 rpm/± 50 LSB	12000 rpm (for continuous position value)	512 lines: 5000 rpm/± 1 LSB 12000 rpm/± 100 LSB 2048 lines: 1500 rpm/± 1 LSB 12000 rpm/± 50 LSB	12000 rpm (for continuous position value)
Calculation time t_{cal}	≤ 0.25 μs	≤ 5 μs	≤ 0.25 μs	≤ 5 μs
Power supply	5 V ± 5%	3.6 to 5.25 V	5 V ± 5%	3.6 to 5.25 V
Current consumption (without load)	≤ 160 mA	≤ 150 mA	≤ 200 mA	≤ 180 mA
Electrical connection via PCB connector	12-pin	Rotary encoder: 12-pin Temperature sensor ²⁾ : 4-pin	12-pin	Rotary encoder: 12-pin Temperature sensor ²⁾ : 4-pin
Shaft	Taper shaft Ø 9.25 mm; taper 1:10			
Mech. perm. speed n	≤ 15000 rpm		≤ 12000 rpm	
Starting torque at 20 °C	≤ 0.01 Nm			
Moment of inertia of rotor	2.6 · 10 ⁻⁶ kgm ²			
Natural frequency of stator coupling	≥ 1800 Hz			
Permissible axial motion of measured shaft	± 0.5 mm			
Vibration 55 to 2000 Hz Shock 6 ms	≤ 300 m/s ² ³⁾ (IEC 60068-2-6) ≤ 1000 m/s ² / ≤ 2000 m/s ² (IEC 60068-2-27)		≤ 150 m/s ² (IEC 60068-2-6) ≤ 1000 m/s ² / ≤ 2000 m/s ² (IEC 60068-2-27)	
Max. operating temp.	115 °C			
Min. operating temp.	–40 °C			
Protection IEC 60529	IP 40 when mounted			
Weight (approx.)	0.25 kg			

* Please indicate when ordering

¹⁾ Restricted tolerances
Signal amplitude: 0.75 to 1.2 V_{PP}
Asymmetry: 0.05
Amplitude ratio: 0.9 to 1.1
Phase angle: 90° ± 5° elec.
Signal-to-noise ratio E, F: 100 mV

²⁾ Evaluation optimized for KTY 84

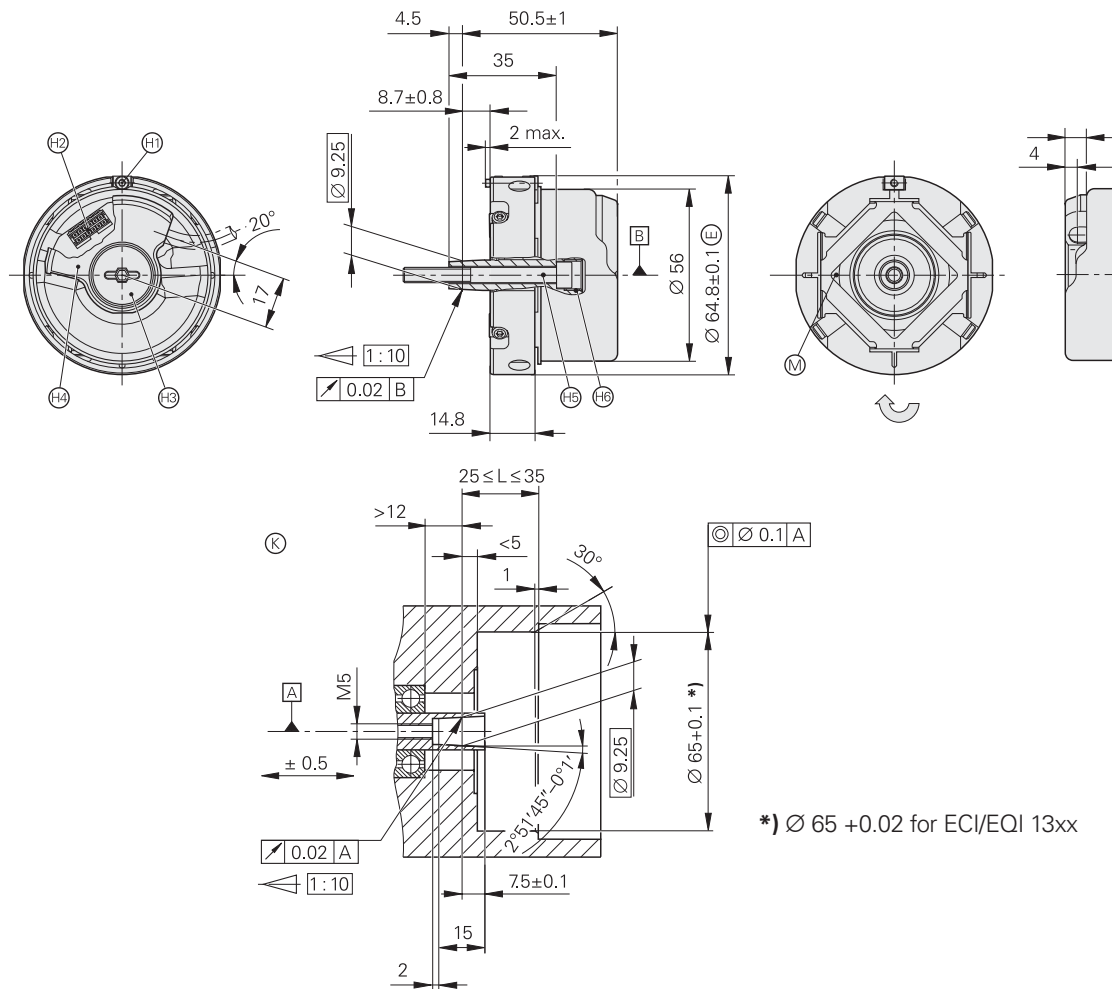
Only use sensors with double or reinforced insulation. Ensure that the lines are routed inside the motor housing.

³⁾ As per standard for room temperature, the following applies for operating temperature
Up to 100 °C: ≤ 300 m/s²
Up to 115 °C: ≤ 150 m/s²

ERN 1300 Series

Rotary Encoders with Integral Bearings for Integration in Motors

- Mounted stator coupling
- Installation diameter 65 mm
- Taper shaft





Dimensions in mm



Tolerancing ISO 8015
ISO 2768 - m H
< 6 mm: ±0.2 mm

- ⊠ = Bearing of mating shaft
- ⊞ = Bearing of encoder
- ⊕ = Required mating dimensions
- Ⓜ = Measuring point for operating temperature
- Ⓢ = Clamping screw for coupling ring – width A/F 2; Tightening torque 1.25 Nm
- Ⓣ = ERN/ECN/EQN: Plug connector 12-pin (and 4 pins for temperature sensor, on ECN 1325/EQN 1337)
ERN with Z1 track: Plug connector 14-pin
ERN with block commutation: Plug connector 16-pin
- Ⓝ = Screw plug sizes 3 and 4; tightening torque 5 +0.5 Nm
- Ⓞ = Die-cast cover
- Ⓟ = Self-tightening screw M5 x 50 DIN 6912 width A/F 4; tightening torque 5 +0.5 Nm
- Ⓠ = Back-off thread M10
- ↻ = Direction of shaft rotation for output signals as per the interface description

	Incremental			
	ERN 1321	ERN 1381	ERN 1387	ERN 1326 ¹⁾
Incremental signals	□□TTL	 V _{PP} ²⁾		□□TTL
Line count*/ System accuracy	1024/± 64" 2048/± 32" 4096/± 16"	512/± 60" 2048/± 20" 4096/± 16"	2048/± 20"	1024/± 64" 2048/± 32" 4096/± 16"
Reference mark	One			
Scanning frequency Edge separation a Cutoff frequency -3dB	≥ 300 kHz ≥ 0.35 μs -	- ≥ 210 kHz		≥ 300 kHz ≥ 0.35 μs -
Absolute position values	-		 V _{PP} ²⁾	□□TTL
Position values/rev	-		Z1 track ³⁾	3 x □□TTL ⁴⁾
Power supply	5 V ± 10%		5 V ± 5%	
Current consumption (without load)	≤ 120 mA		≤ 130 mA	≤ 150 mA
Electrical connection via PCB connector	12-pin		14-pin	16-pin
Shaft	Taper shaft Ø 9.25 mm; taper 1:10			
Mech. perm. speed n	≤ 15000 rpm			
Starting torque at 20 °C	≤ 0.01 Nm			
Moment of inertia of rotor	2.6 · 10 ⁻⁶ kgm ²			
Natural frequency of stator coupling	≥ 1800 Hz			
Permissible axial motion of measured shaft	± 0.5 mm			
Vibration 55 to 2000 Hz Shock 6 ms	≤ 300 m/s ² ⁵⁾ (IEC 60068-2-6) ≤ 1000 m/s ² / ≤ 2000 m/s ² (IEC 60068-2-27)			
Max. operating temp.	120 °C;		120 °C	120 °C;
Min. operating temp.	-40 °C			
Protection IEC 60529	IP 40 when mounted			
Weight (approx.)	0.25 kg			

* Please indicate when ordering

¹⁾ Available in 2nd quarter of 2007; for the previous version, see the *ERN 1326, October 2006*

²⁾ Restricted tolerances
Signal amplitude 0.75 to 1.2 V_{PP}
Asymmetry: 0.05
Amplitude ratio: 0.9 to 1.1
Phase angle: 90° ± 5° elec.
Signal-to-noise ratio E, F: 100 mV

³⁾ One sine and one cosine signal per revolution

⁴⁾ Three square-wave signals with signal periods of 90° or 120° mechanical phase shift

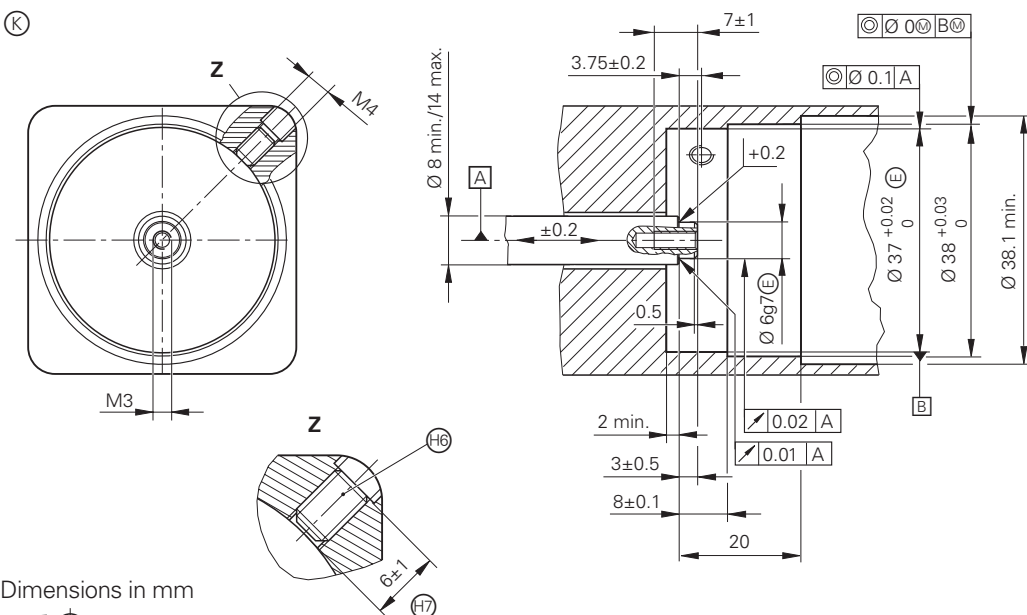
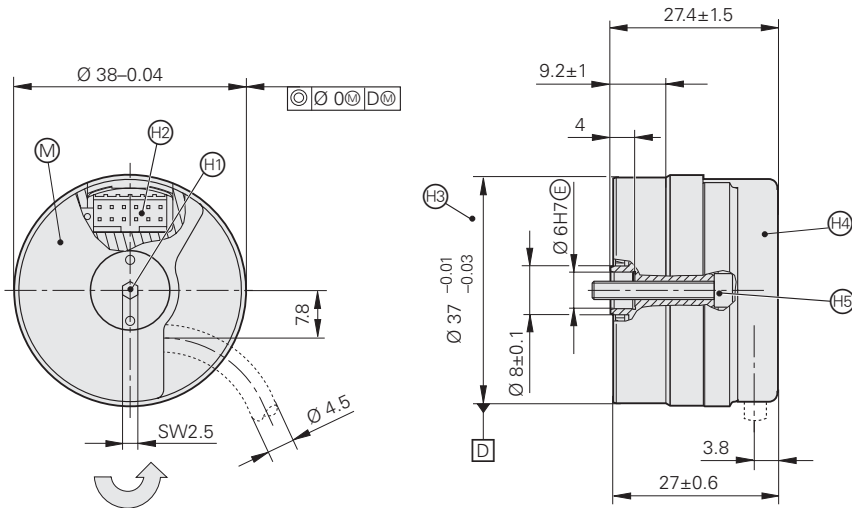
⁵⁾ As per standard for room temperature, the following applies for operating temperature

Up to 100 °C: ≤ 300 m/s²
Up to 115 °C: ≤ 150 m/s²

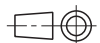
ECI/EQI 1100 Series

Rotary Encoders without Integral Bearings for Integration in Motors

- Installation diameter 38 mm
- Blind hollow shaft



Dimensions in mm



Tolerancing ISO 8015
ISO 2768 - m H
< 6 mm: ±0.2 mm

- ▣ = Bearing
- Ⓚ = Required mating dimensions
- Ⓜ = Measuring point for operating temperature below removable cover on metal surface
- Ⓢ = Screw for securing the cable covering, tightening torque 1.2 ±0.1 Nm
- Ⓣ = Plug connector, 12-pin
- Ⓤ = Clamping diameter
- Ⓦ = Removable cover
- Ⓩ = Self-locking screw M3 x 20 ISO 4762 width A/F 2.5, tightening torque 1.2 ±0.1 Nm
- Ⓨ = Setscrew M4 for clamping, width A/F 2, tightening torque 1.2 ±0.1 Nm
- Ⓩ = Permissible thread length for Ⓨ
- ↻ = Direction of shaft rotation for output signals according to interface description

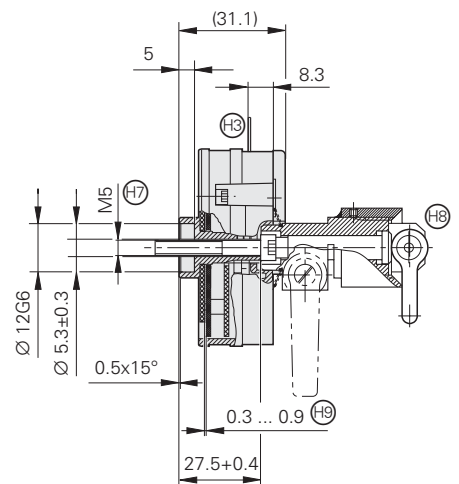
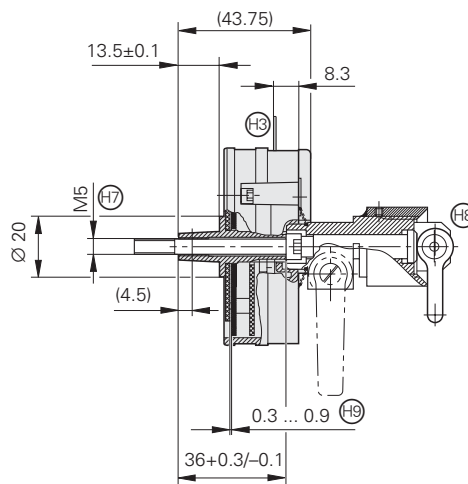
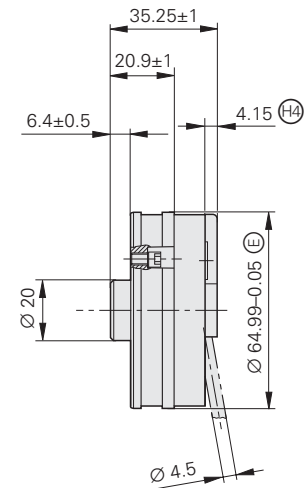
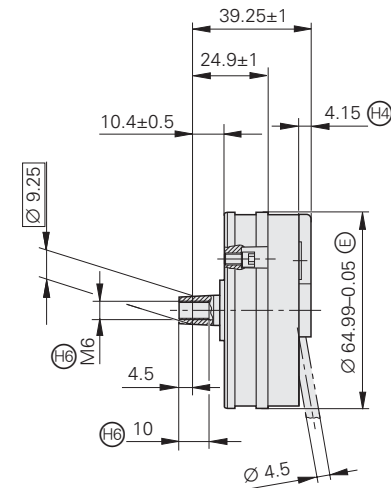
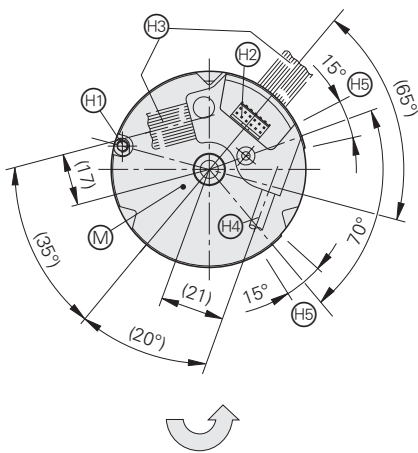
	Absolute	
	ECI 1116	EQI 1128
Absolute position values	EnDat 2.1	
Ordering designation	EnDat 21	
Position values/rev	65 536 (16 bits)	
Revolutions	–	4096 (12 bits)
Elec. permissible speed	≤ 12 000 rpm for continuous position value	
System accuracy	± 480" (typ. ± 310")	
Calculation time t_{cal}	≤ 8 μs	
Power supply	5 V ± 5%	
Current consumption (without load)	≤ 200 mA	≤ 260 mA
Electrical connection	PCB connector FCI Berg, 12-pin	
Magnetic field compatibility	–	≤ 30 mT ¹⁾
Shaft	Blind hollow shaft Ø 6 mm, axial clamping	
Mech. perm. speed n	≤ 12 000 rpm	
Moment of inertia of rotor	0.76 · 10 ⁻⁶ kgm ²	
Permissible axial motion of measured shaft	± 0.2 mm	
Vibration 55 to 2000 Hz Shock 6 ms	≤ 300 m/s ² (IEC 60 068-2-6) ≤ 1000 m/s ² (IEC 60 068-2-27)	
Max. operating temp.	100 °C	
Min. operating temp.	-20 °C	
Protection IEC 60 529	IP 20 when mounted	
Weight (approx.)	0.1 kg	

¹⁾ Reference value for encoder mounting area (air). If this value is exceeded, then a clarification of details with the multiturn encoder mounted must be reached with HEIDENHAIN.

ECI/EQI 1300 Series

Rotary Encoders without Integral Bearings for Integration in Motors

- Installation diameter 65 mm
- Taper shaft or blind hollow shaft

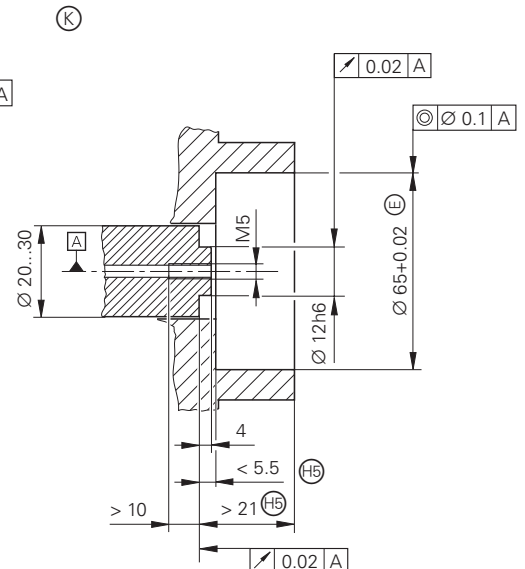
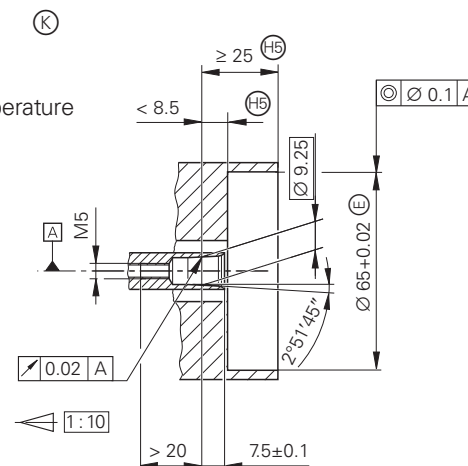


Dimensions in mm



Tolerancing ISO 8015
ISO 2768 - m H
< 6 mm: ±0.2 mm

- Ⓐ = Bearing
- Ⓚ = Required mating dimensions
- Ⓜ = Measuring point for operating temperature
- Ⓢ = Mounting screw
- Ⓣ = Plug connector, 12-pin
- Ⓤ = Cable outlet for ribbon cable
- Ⓥ = Cable outlet for round cable
- Ⓦ = Clamping area
- Ⓧ = Back-off thread M6
- Ⓨ = Cylinder head screw
ISO 4762 – M5 x 35-A2
for hollow shaft
ISO 4762 – M5 x 50-A2
for taper shaft
Tightening torque 5 Nm
- Ⓩ = Setting tool for scanning gap
- ⓐ = Permissible scanning gap range
over all operating conditions
- ↻ = Direction of shaft rotation for output signals as per the interface description



	Absolute	
	ECI 1317	EQI 1329
Incremental signals	$\sim 1 V_{PP}$	
Line count/ System accuracy	32/± 280°	
Cutoff frequency -3dB	≥ 6 kHz typical	
Absolute position values ¹⁾	EnDat 2.1	
Ordering designation	EnDat 01	
Position values/rev	131 072 (17 bits)	
Revolutions	–	4096 (12 bits)
Elec. permissible speed/ System accuracy	5 000 rpm/± 40 LSB 15 000 rpm/± 56 LSB	
Calculation time t_{cal}	≤ 8 μs	
Power supply	5 V ± 5% or 7 to 10 V	
Current consumption (without load)	≤ 170 mA	
Electrical connection	Via 12-pin PCB connector	
Shaft*/Moment of inertia of rotor	Taper shaft Ø 9.25 mm; Taper 1:10 /2.2 × 10 ⁻⁶ kgm ² Hollow shaft Ø 12.0 mm; Length 5 mm /3.2 × 10 ⁻⁶ kgm ²	
Mech. perm. speed n	≤ 15 000 rpm	≤ 12 000 rpm
Permissible axial motion of measured shaft	-0.2/+0.4 mm with 0.5 mm scanning gap	
Vibration 55 to 2000 Hz Shock 6 ms	≤ 100 m/s ² (IEC 60068-2-6) ≤ 1000 m/s ² (IEC 60068-2-27)	
Max. operating temp.	115 °C	
Min. operating temp.	-20 °C	
Protection IEC 60529	IP 20 when mounted	
Weight (approx.)	0.13 kg	

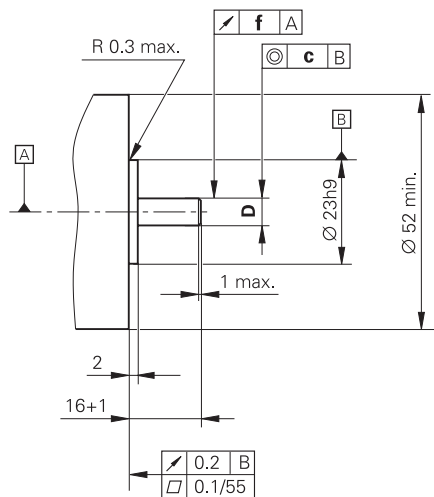
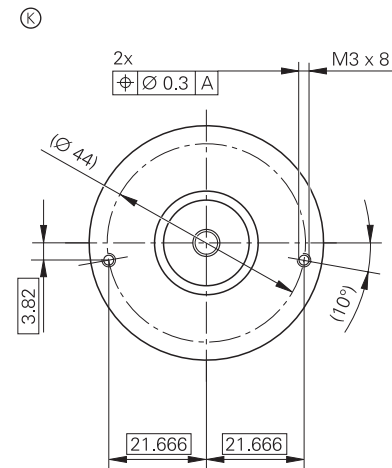
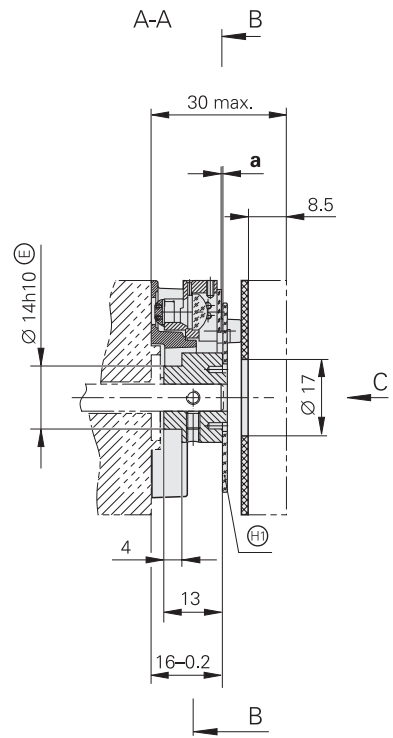
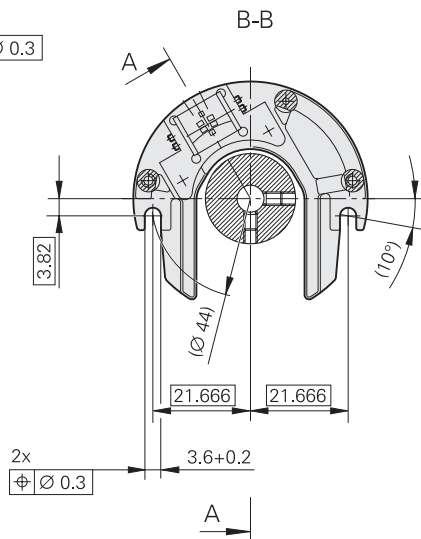
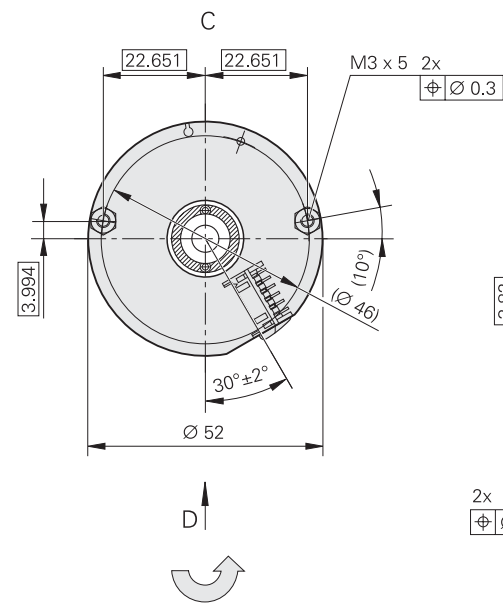
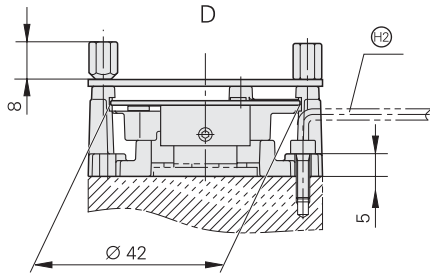
* Please indicate when ordering

¹⁾ Encoders with analog signals are to be operated with a minimum scanning cycle of 2 ms.
Encoders without analog signals require a scanning cycle of less than 800 μs

ERO 1200 Series

Rotary Encoders without Integral Bearings for Integration in Motors

- Installation diameter 52 mm
- Hollow through shaft



Dimensions in mm

 Tolerancing ISO 8015
 ISO 2768 - m H
 < 6 mm: ±0.2 mm

- Ⓐ = Bearing
- Ⓢ = Required mating dimensions
- Ⓣ = Disk/hub assembly
- Ⓤ = Offset screwdriver ISO 2936 - 2.5 (l₂ shortened)
- ↻ = Direction of shaft rotation for output signals according to interface description

D
Ø 10h6 Ⓢ
Ø 12h6 Ⓢ

	Z	a	f	c
ERO 1225	1024	0.6 ± 0.2	Ø 0.05	Ø 0.02
	2048	0.2 ± 0.05		
ERO 1285	1024	0.2 ± 0.03	Ø 0.03	Ø 0.02
	2048			

	Incremental	
	ERO 1225	ERO 1285
Incremental signals	□□TTL	~ 1 V _{PP}
Line count*	1024 2048	
System accuracy ^{1)/} Accuracy of the graduation ²⁾	1024 lines: ± 92"/± 6" 2048 lines: ± 73"/± 6"	1024 lines: ± 67"/± 6" 2048 lines: ± 60"/± 6"
Reference mark	One	
Scanning frequency	≤ 300 kHz	–
Edge separation a	≥ 0.39 μs	–
Cutoff frequency –3dB	–	≥ 180 kHz typical
Power supply	5 V ± 10%	
Current consumption (without load)	≤ 150 mA	
Electrical connection	Via 12-pin PCB connector	
Shaft*	Hollow through shaft Ø 10 mm or Ø 12 mm	
Moment of inertia of rotor	Shaft Ø 10 mm: 2.2 · 10 ⁻⁶ kgm ² Shaft Ø 12 mm: 2.15 · 10 ⁻⁶ kgm ²	
Mech. perm. speed n	≤ 25000 rpm	
Permissible axial motion of measured shaft	1024 lines: ± 0.2 mm 2048 lines: ± 0.05 mm	± 0.03 mm
Vibration 55 to 2000 Hz Shock 6 ms	≤ 100 m/s ² (IEC 60068-2-6) ≤ 1000 m/s ² (IEC 60068-2-27)	
Max. operating temp.	100 °C	
Min. operating temp.	–40 °C	
Protection IEC 60529	IP 00	
Weight (approx.)	0.07 kg	

* Please indicate when ordering

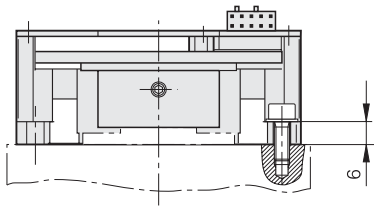
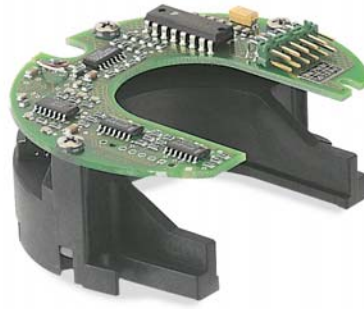
¹⁾ Before installation. Additional error caused by mounting inaccuracy and inaccuracy from the bearing of the drive shaft are not included.

²⁾ For other errors, see *Measuring Accuracy*

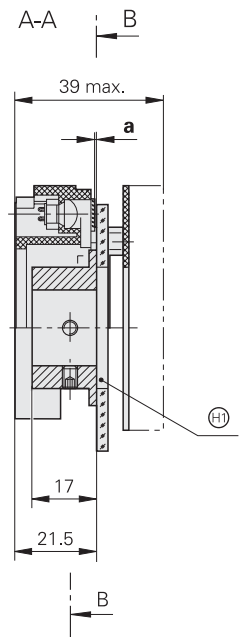
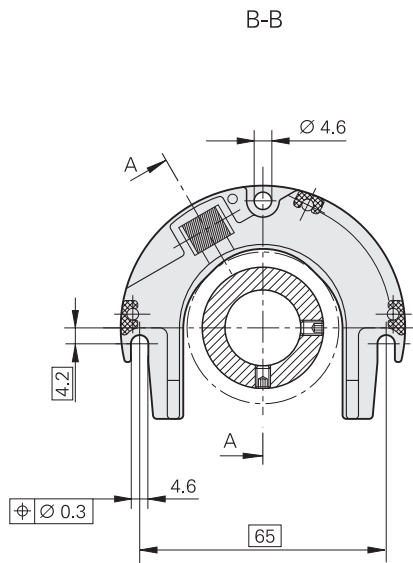
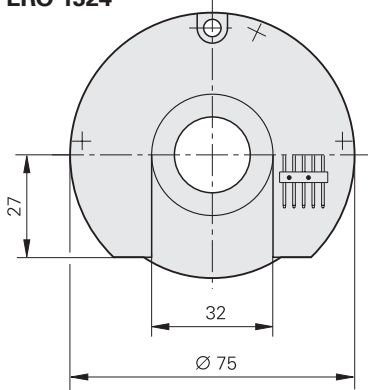
ERO 1300 Series

Rotary Encoders without Integral Bearings for Integration in Motors

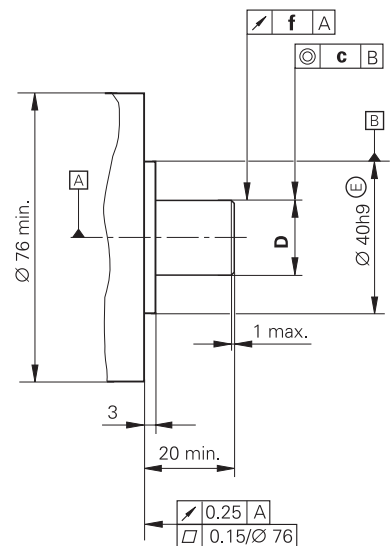
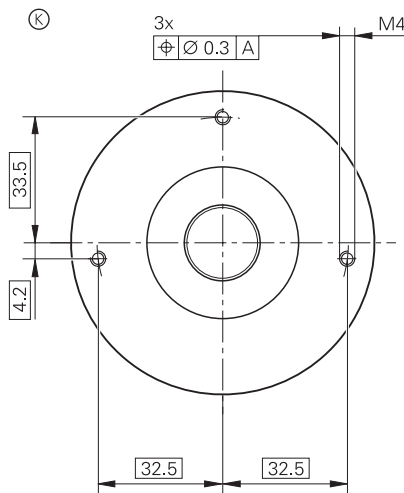
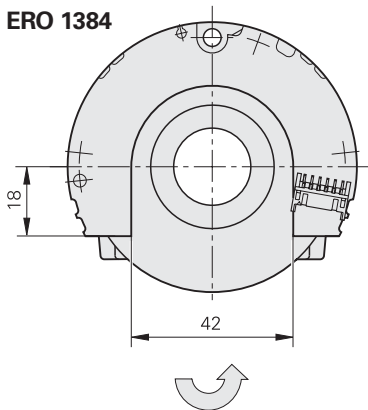
- Installation diameter 75 mm
- Hollow through shaft



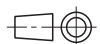
ERO 1324



ERO 1384



Dimensions in mm



Tolerancing ISO 8015
ISO 2768 - m H
< 6 mm: ±0.2 mm

▣ = Bearing

⊗ = Required mating dimensions

⊕ = Disk/hub assembly

↻ Direction of shaft rotation for output signals as per the interface description

D
∅ 20h6 ⊗
∅ 30h6 ⊗

	a	f	c
ERO 1324	0.2-0.1	∅ 0.05	∅ 0.02
ERO 1384	0.15 ± 0.04	∅ 0.03	∅ 0.02

	Incremental	
	ERO 1324	ERO 1384
Incremental signals	□□TTL	~ 1 V _{PP}
Line count*	1024 2048 5000	
System accuracy ¹⁾ / Accuracy of the graduation ²⁾	1024 lines: ± 72"/± 15" 2048 lines: ± 53"/± 5" 5000 lines: ± 42"/± 3.5"	1024 lines: ± 47"/± 15" 2048 lines: ± 40.5"/± 5" 5000 lines: ± 37"/± 3.5"
Reference mark	One	
Scanning frequency	≤ 400 kHz	–
Edge separation a	≥ 0.29 μs	–
Cutoff frequency –3dB	–	≥ 180 kHz
Power supply	5 V ± 10%	
Current consumption (without load)	≤ 150 mA	
Electrical connection	Via 12-pin PCB connector (Adapter cable Id. Nr. 295545-xx)	Via 12-pin PCB connector (Adapter cable Id. Nr. 372164-xx)
Shaft*	Hollow through shaft Ø 20 mm or Ø 30 mm	
Moment of inertia of rotor	Shaft Ø 20 mm: 26 · 10 ⁻⁶ kgm ² Shaft Ø 30 mm: 35 · 10 ⁻⁶ kgm ²	
Mech. perm. speed n	≤ 16000 rpm	
Permissible axial motion of measured shaft	± 0.05 mm	± 0.04 mm
Vibration 55 to 2000 Hz Shock 6 ms	≤ 100 m/s ² (IEC 60068-2-6) ≤ 1000 m/s ² (IEC 60068-2-27)	
Max. operating temp.	70 °C	85 °C
Min. operating temp.	0 °C	
Protection IEC 60529	IP 00	
Weight (approx.)	0.2 kg	

* Please indicate when ordering

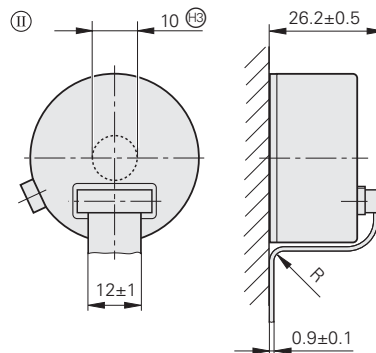
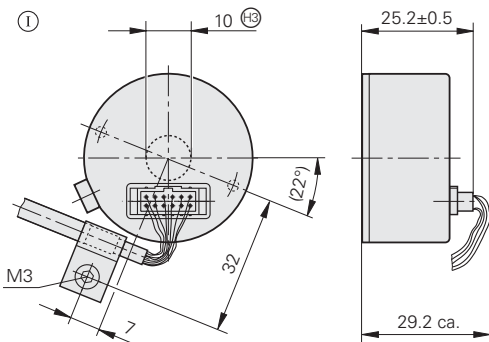
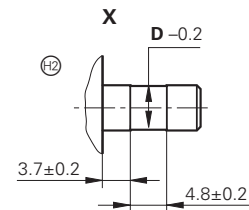
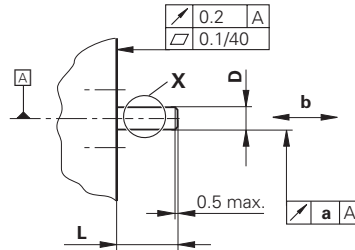
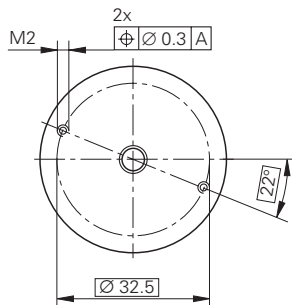
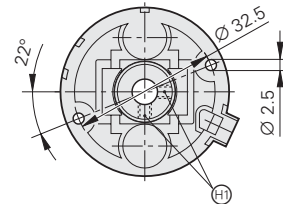
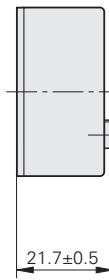
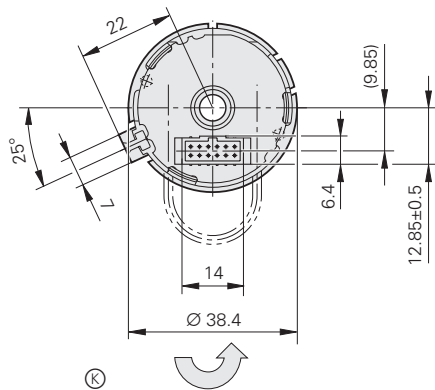
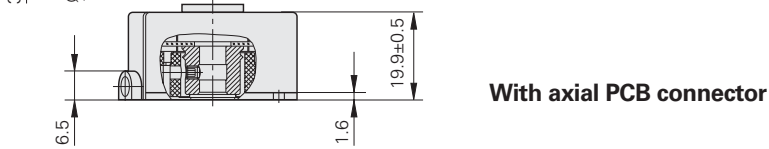
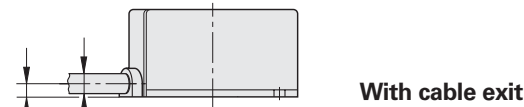
¹⁾ Before installation. Additional error caused by mounting inaccuracy and inaccuracy from the bearing of the drive shaft are not included.

²⁾ For other errors, see *Measuring Accuracy*

ERO 1400 Series

Rotary Encoders without Integral Bearing

- For integration in motors with PCB connector (protection IP 00)
- For mounting on motors with cable outlet (protection IP 40)
- Installation diameter 44 mm



Axial PCB connector and round cable

Axial PCB connector and ribbon cable

Dimensions in mm



Tolerancing ISO 8015

ISO 2768 - m H

< 6 mm: ±0.2 mm

▣ = Bearing

⊙ = Required mating dimensions

① = Accessory: Round cable

② = Accessory: Ribbon cable

⊕ = Setscrew 2x90° offset M3, width A/F 1.5 Md = 0.25 ±0.05 Nm

⊕ = Version for repeated assembly

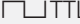
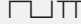




⊕ = Version featuring housing with central hole (accessory)

↻ Direction of shaft rotation for output signals as per the interface description

L	13+4.5/-3	10 min.

	Stationary cable	Moving cable
Ribbon cable	R ≥ 2 mm	R ≥ 10 mm

	a	b	D
ERO 1420	0.03	± 0.1	Ø 4h6 ⊕
ERO 1470	0.02	± 0.05	Ø 6h6 ⊕
ERO 1480			Ø 8h6 ⊕

	Incremental					
	ERO 1420	ERO 1470				ERO 1480
Incremental signals						 1 V _{PP}
Line count*	512, 1000 , 1024	1000 1500				512, 1000 , 1024
Integrated interpolation*	–	5-fold	10-fold	20-fold	25-fold	–
Signal periods/rev	512, 1000, 1024	5000 7500	10000 15000	20000 30000	25000 37500	512, 1000, 1024
Edge separation a	≥ 0.39 μs	≥ 0.47 μs	≥ 0.22 μs	≥ 0.17 μs	≥ 0.07 μs	–
Scanning frequency	≤ 300 kHz	≤ 100 kHz		≤ 62.5 kHz	≤ 100 kHz	–
Cutoff frequency –3dB	–					≥ 180 kHz
System accuracy	512 lines: ± 139" 1000 lines: ± 112" 1024 lines: ± 112"	1000 lines: ± 130" 1500 lines: ± 114"				512 lines: ± 190" 1000 lines: ± 163" 1024 lines: ± 163"
Reference mark	One					
Power supply	5 V ± 10%					
Current consumption (without load)	≤ 150 mA	≤ 155 mA		≤ 200 mA		≤ 150 mA
Electrical connection*	<ul style="list-style-type: none"> Over 12-pin axial PCB connector Cable 1 m, radial, without connecting element (not with ERO 1470) 					
Shaft*	Blind hollow shaft Ø 4 mm; Ø 6 mm or Ø 8 mm or hollow through shaft in housing with bore (accessory)					
Moment of inertia of rotor	<i>Shaft Ø 4 mm: 0.28 · 10⁻⁶ kgm²</i> <i>Shaft Ø 6 mm: 0.27 · 10⁻⁶ kgm²</i> <i>Shaft Ø 8 mm: 0.25 · 10⁻⁶ kgm²</i>					
Mech. perm. speed n	≤ 30000 rpm					
Permissible axial motion of measured shaft	± 0.1 mm		± 0.05 mm			
Vibration 55 to 2000 Hz Shock 6 ms	≤ 100 m/s ² (IEC 60068-2-6) ≤ 1000 m/s ² (IEC 60068-2-27)					
Max. operating temp.	70 °C					
Min. operating temp.	–10 °C					
Protection IEC 60529	<i>With PCB connector: IP 00</i> <i>With cable outlet: IP 40</i>					
Weight (approx.)	0.07 kg					

Bold: These preferred versions are available on short notice

* Please indicate when ordering

¹⁾ Before installation. Additional error caused by mounting inaccuracy and inaccuracy from the bearing of the drive shaft are not included.

Interfaces

Incremental Signals $\sim 1 V_{PP}$

HEIDENHAIN encoders with $\sim 1 V_{PP}$ interface provide voltage signals that can be highly interpolated.

The sinusoidal **incremental signals** A and B are phase-shifted by 90° elec. and have an amplitude of typically $1 V_{PP}$. The illustrated sequence of output signals—with B lagging A—applies for the direction of motion shown in the dimension drawing.

The **reference mark signal** R has a usable component G of approx. 0.5 V. Next to the reference mark, the output signal can be reduced by up to 1.7 V to a quiescent value H. This must not cause the subsequent electronics to overdrive. Even at the lowered signal level, signal peaks with the amplitude G can also appear.

The data on **signal amplitude** apply when the power supply given in the specifications is connected to the encoder. They refer to a differential measurement at the 120-ohm terminating resistor between the associated outputs. The signal amplitude decreases with increasing frequency. The **cutoff frequency** indicates the scanning frequency at which a certain percentage of the original signal amplitude is maintained:

- -3 dB cutoff frequency: 70 % of the signal amplitude
- -6 dB cutoff frequency: 50 % of the signal amplitude

Interpolation/resolution/measuring step

The output signals of the $1 V_{PP}$ interface are usually interpolated in the subsequent electronics in order to attain sufficiently high resolutions. For **velocity control**, interpolation factors are commonly over 1000 in order to receive usable velocity information even at low speeds.

Measuring steps for **position measurement** are recommended in the specifications. For special applications, other resolutions are also possible.

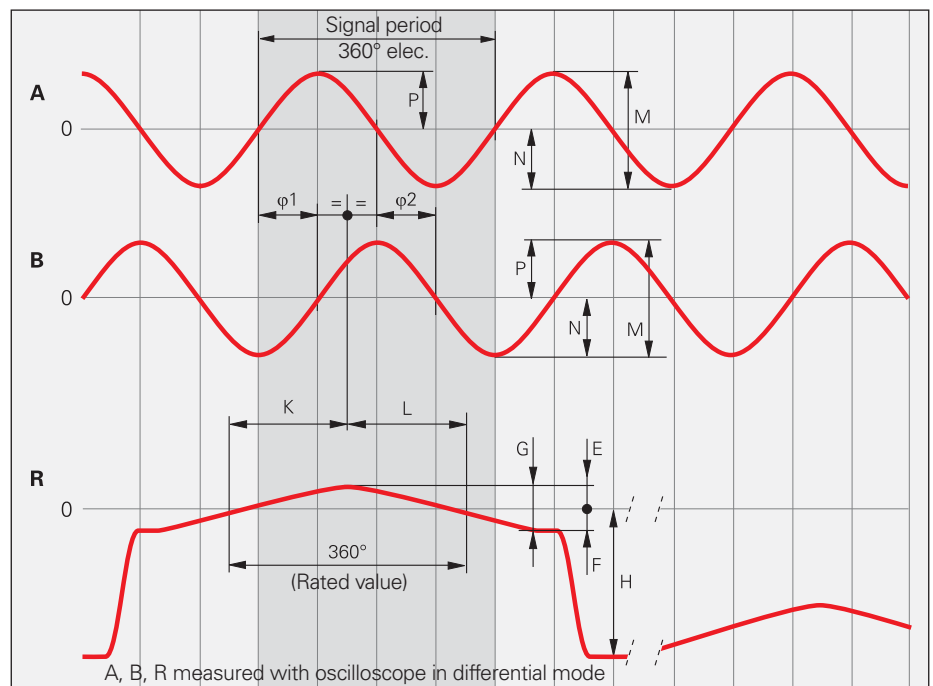
Short-circuit stability

A temporary short circuit of one signal output to 0 V or U_P (except encoders with $U_{P \min} = 3.6 V$) does not cause encoder failure, but it is not a permissible operating condition.

Short circuit at	20 °C	125 °C
One output	< 3 min	< 1 min
All outputs	< 20 s	< 5 s

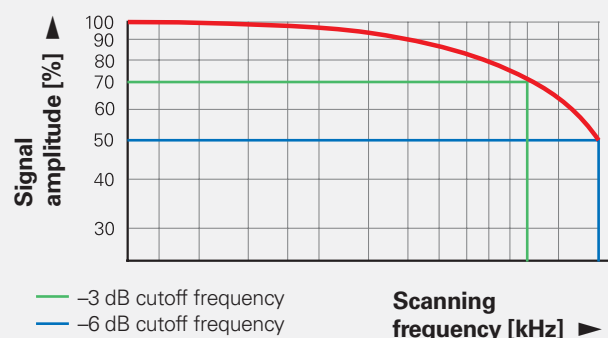
Interface	Sinusoidal voltage signals $\sim 1 V_{PP}$
Incremental signals	2 nearly sinusoidal signals A and B Signal amplitude M: 0.6 to 1.2 V_{PP} ; typ. 1 V_{PP} Asymmetry $ P - N /2M$: ≤ 0.065 Signal ratio M_A/M_B : 0.8 to 1.25 Phase angle $ \varphi_1 + \varphi_2 /2$: $90^\circ \pm 10^\circ$ elec.
Reference mark signal	1 or more signal peaks R Usable component G: 0.2 to 0.85 V Quiescent value H: 0.04 V to 1.7 V Signal-to-noise ratio E, F: ≥ 40 mV Zero crossovers K, L: $180^\circ \pm 90^\circ$ elec.
Connecting cable	HEIDENHAIN cable with shielding PUR $[4(2 \times 0.14 \text{ mm}^2) + (4 \times 0.5 \text{ mm}^2)]$ Max. 150 m distributed capacitance 90 pF/m 6 ns/m
Cable length	
Propagation time	

Any limited tolerances in the encoders are listed in the specifications.



Cutoff frequency

Typical signal amplitude curve with respect to the scanning frequency



Input circuitry of the subsequent electronics

Dimensioning

Operational amplifier MC 34074
 $Z_0 = 120 \Omega$
 $R_1 = 10 \text{ k}\Omega$ and $C_1 = 100 \text{ pF}$
 $R_2 = 34.8 \text{ k}\Omega$ and $C_2 = 10 \text{ pF}$
 $U_B = \pm 15 \text{ V}$
 U_1 approx. U_0

-3dB cutoff frequency of circuitry

Approx. 450 kHz

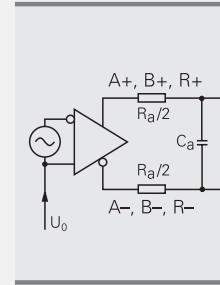
Approx. 50 kHz and $C_1 = 1000 \text{ pF}$
 and $C_2 = 82 \text{ pF}$

The circuit variant for 50 kHz does reduce the bandwidth of the circuit, but in doing so it improves its noise immunity.

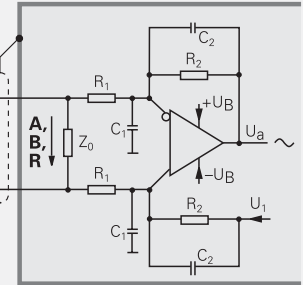
Incremental signals Reference mark signal

$R_a < 100 \Omega$,
 approx. 24 Ω
 $C_a < 50 \text{ pF}$
 $\Sigma I_a < 1 \text{ mA}$
 $U_0 = 2.5 \text{ V} \pm 0.5 \text{ V}$
 (relative to 0V of the power supply)

Encoder



Subsequent electronics



Circuit output signals

$U_a = 3.48 \text{ V}_{PP}$ typical
 Gain 3.48

Signal monitoring

A threshold sensitivity of 250 mV_{PP} is to be provided for monitoring the 1-V_{PP} incremental signals.

Pin layout

12-pin M23 coupling	12-pin PCB connector	15-pin PCB connector	15-pin D-sub connector for IK 115/IK 215										
	Power supply	Incremental signals				Other signals							
	12	2	10	11	5	6	8	1	3	4	9	7	/
	4	12	2	10	1	9	3	11	14	7	5/8/13/15	13	/
	2a	2b	1a	1b	6b	6a	5b	5a	4b	4a	/	3a	/
	13	11	14	12	1	2	3	4	5	6	8/9/10/15	7	/
	U_P	Sensor U_P	0V	Sensor 0V	A+	A-	B+	B-	R+	R-	Vacant	Vacant	Vacant
	Brown/ Green	Blue	White/ Green	White	Brown	Green	Gray	Pink	Red	Black	/	Violet	Yellow

Output cable inside the motor housing for ERN 1381 Id. Nr. 340 111-xx	17-pin flange socket M23	12-pin PCB connector											
	Power supply	Incremental signals				Other signals							
	7	1	10	4	15	16	12	13	3	2	5	6	8/9/11/14/17
	2a	2b	1a	1b	6b	6a	5b	5a	4b	4a	/	/	3a/3b
	U_P	Sensor U_P	0V	Sensor 0V	A+	A-	B+	B-	R+	R-	$T^+)^1$	$T^-)^1$	Vacant
	Brown/ Green	Blue	White/ Green	White	Brown	Green	Gray	Pink	Red	Black	Brown ¹⁾	White ¹⁾	Violet

Cable shield connected to housing; U_P = power supply voltage

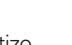
Sensor: The sensor line is connected internally with the corresponding power line

Vacant pins or wires must not be used!

¹⁾ Only for encoder cable inside the motor housing

Interfaces

Incremental Signals TTL

HEIDENHAIN encoders with  TTL interface incorporate electronics that digitize sinusoidal scanning signals with or without interpolation.

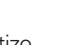
The **incremental signals** are transmitted as the square-wave pulse trains U_{a1} and U_{a2} , phase-shifted by 90° elec. The **reference mark signal** consists of one or more reference pulses U_{a0} , which are gated with the incremental signals. In addition, the integrated electronics produce their **inverse signals** $\overline{U_{a1}}$, $\overline{U_{a2}}$ and $\overline{U_{a0}}$ for noise-proof transmission. The illustrated sequence of output signals—with U_{a2} lagging U_{a1} —applies for the direction of motion shown in the dimension drawing.

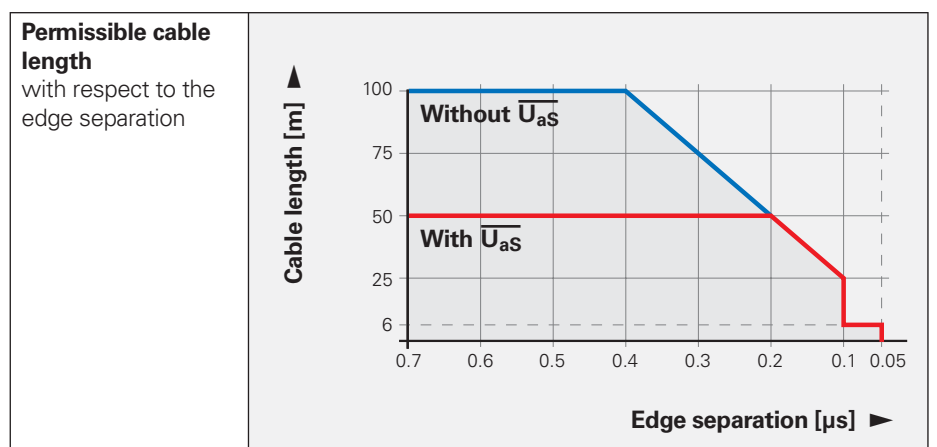
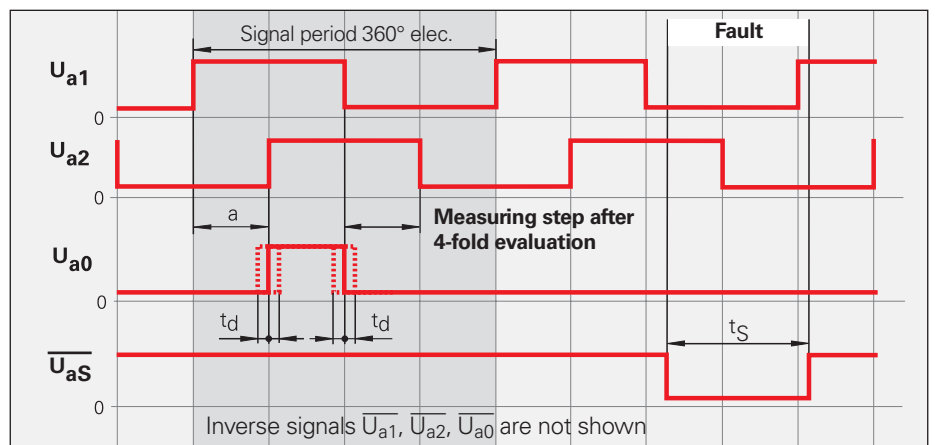
The **fault-detection signal** $\overline{U_{aS}}$ indicates fault conditions such as breakage of the power line or failure of the light source. It can be used for such purposes as machine shut-off during automated production.

The distance between two successive edges of the incremental signals U_{a1} and U_{a2} through 1-fold, 2-fold or 4-fold evaluation is one **measuring step**.

The subsequent electronics must be designed to detect each edge of the square-wave pulse. The minimum **edge separation a** listed in the *Specifications* applies for the illustrated input circuitry with a cable length of 1 m, and refers to a measurement at the output of the differential line receiver. Propagation-time differences in cables additionally reduce the edge separation by 0.2 ns per meter of cable length. To prevent counting error, design the subsequent electronics to process as little as 90% of the resulting edge separation. The max. permissible **shaft speed** or **traversing velocity** must never be exceeded.

The permissible **cable length** for transmission of the TTL square-wave signals to the subsequent electronics depends on the edge separation a . It is max. 100 m, or 50 m for the fault detection signal. This requires, however, that the power supply (see *Specifications*) be ensured at the encoder. The sensor lines can be used to measure the voltage at the encoder and, if required, correct it with an automatic system (remote sense power supply).

Interface	Square-wave signals  TTL
Incremental signals	2 TTL square-wave signals U_{a1}, U_{a2} and their inverted signals $\overline{U_{a1}}$, $\overline{U_{a2}}$
Reference mark signal Pulse width Delay time	1 or more TTL square-wave pulses U_{a0} and their inverted pulses $\overline{U_{a0}}$ 90° elec. (other widths available on request); LS 323: ungated $ t_d \leq 50$ ns
Fault detection signal Pulse width	1 TTL square-wave pulse $\overline{U_{aS}}$ Improper function: LOW (upon request: U_{a1}/U_{a2} high impedance) Proper function: HIGH $t_s \geq 20$ ms
Signal level	Differential line driver as per EIA standard RS 422 $U_H \geq 2.5$ V at $-I_H = 20$ mA $U_L \leq 0.5$ V at $I_L = 20$ mA
Permissible load	$Z_0 \geq 100 \Omega$ between associated outputs $ I_L \leq 20$ mA max. load per output $C_{load} \leq 1000$ pF with respect to 0 V Outputs protected against short circuit to 0 V
Switching times (10% to 90%)	$t_r / t_f \leq 30$ ns (typically 10 ns) with 1 m cable and recommended input circuitry
Connecting cable Cable length Propagation time	HEIDENHAIN cable with shielding PUR [$4(2 \times 0.14 \text{ mm}^2) + (4 \times 0.5 \text{ mm}^2)$] Max. 100 m ($\overline{U_{aS}}$ max. 50 m) distributed capacitance 90 pF/m 6 ns/m

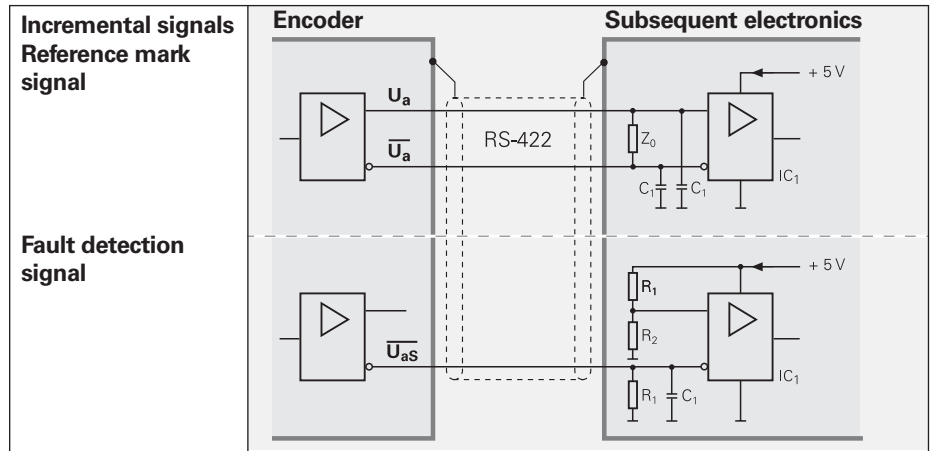


Input circuitry of the subsequent electronics

Dimensioning

IC₁ = Recommended differential line receivers
 DS 26 C 32 AT
 Only for a > 0.1 μs:
 AM 26 LS 32
 MC 3486
 SN 75 ALS 193

R₁ = 4.7 kΩ
 R₂ = 1.8 kΩ
 Z₀ = 120 Ω
 C₁ = 220 pF (serves to improve noise immunity)



Pin layout

12-pin flange socket or coupling M23 		12-pin connector M23 												
15-pin D-sub connector for IK 115/IK 215 		12-pin PCB connector 		15-pin PCB connector 										
	Power supply				Incremental signals						Other signals			
	12	2	10	11	5	6	8	1	3	4	7	/	9	
	4	12	2	10	1	9	3	11	14	7	13	5/6/8	15	
	12	2a	2b ¹⁾	1a	1b ¹⁾	6b	6a	5b	5a	4b	4a	3a	3b	/
	15	13	11	14	12	1	2	3	4	5	6	7	8/9/10/15	/
	U _P	Sensor U _P	0V	Sensor 0V	U _{a1}	U _{a1}	U _{a2}	U _{a2}	U _{a0}	U _{a0}	U _{aS} ¹⁾	Vacant	Vacant ²⁾	
	Brown/Green	Blue	White/Green	White	Brown	Green	Gray	Pink	Red	Black	Violet	/	Yellow	

Cable shield connected to housing; U_P = power supply voltage

Sensor: The sensor line is connected internally with the corresponding power line

Vacant pins or wires must not be used!

¹⁾ LS 323/ERO 14xx: Vacant

²⁾ Exposed linear encoders: Switchover TTL/11 μA_{PP} for PWT

Interfaces

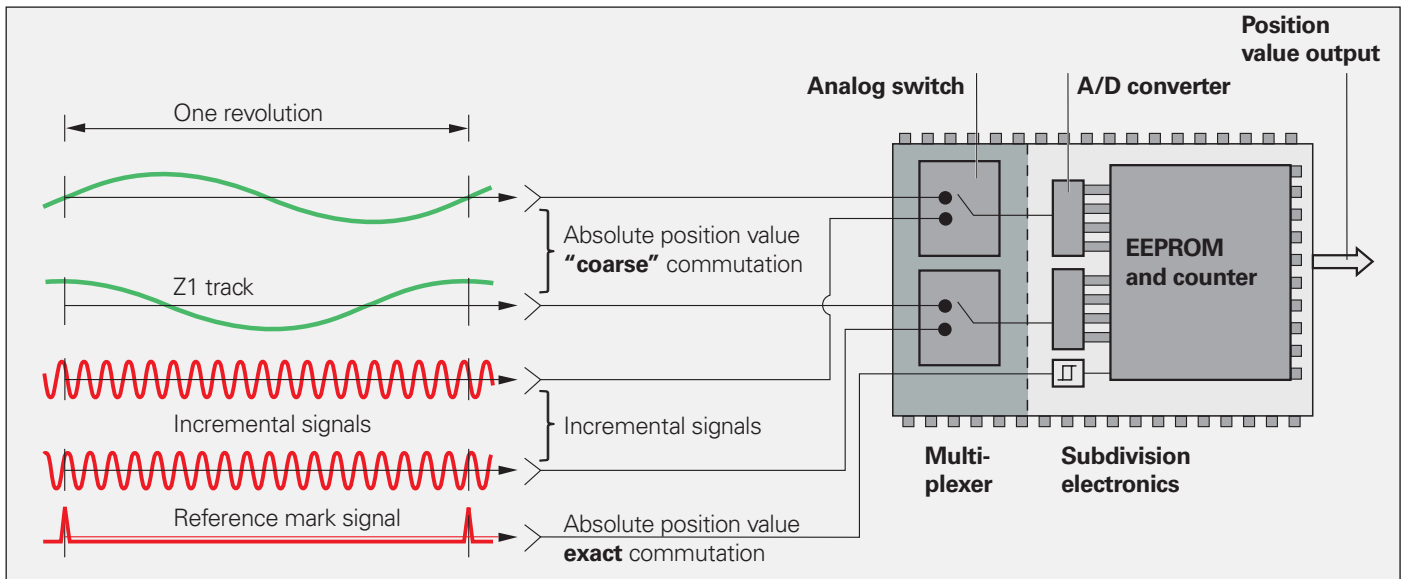
Commutation Signals for Sinusoidal Commutation

The **commutation signals C and D** are taken from the so-called Z1 track and form one sine or cosine period per revolution. They have a signal amplitude of typically $1 V_{PP}$ at $1 k\Omega$.

The recommended input circuitry of the subsequent electronics is the same as for the $\sim 1 V_{PP}$ interface. The required terminating resistor of Z_0 , however, is $1 k\Omega$ instead of 120Ω . The **ERN 1185** and **ERN 1387** are rotary encoders with commutation signals for sinusoidal commutation.

Interface	Sinusoidal voltage signals $\sim 1 V_{PP}$
Commutation signals	2 nearly sinusoidal signals C and D For signal levels see <i>Incremental Signals</i> $\sim 1 V_{PP}$
Incremental signals	See <i>Incremental Signals</i> $\sim 1 V_{PP}$
Connecting cable	HEIDENHAIN cable with shielding PUR $[4(2 \times 0.14 \text{ mm}^2) + 4(2 \times 0.14 \text{ mm}^2) + (4 \times 0.5 \text{ mm}^2)]$ Max. 150 m Propagation time 6 ns/m

Electronic commutation with Z1 track



Pin layout

17-pin HEIDENHAIN coupling or flange socket M23 						14-pin PCB connector 					
	Power supply					Incremental signals					
	7	1	10	4	11	15	16	12	13	3	2
	1b	7a	5b	3a	/	6b	2a	3b	5a	4b	4a
	U_P	Sensor $U_P^{(1)}$	0V	Sensor 0V ⁽¹⁾	Inside shield	A+	A-	B+	B-	R+	R-
	Brown/ Green	Blue	White/ Green	White	/	Green/ Black	Yellow/ Black	Blue/ Black	Red/ Black	Red	Black

	Other signals					
	14	17	9	8	5	6
	7b	1a	2b	6a	/	/
	C+	C-	D+	D-	T+ ⁽²⁾	T- ⁽²⁾
	Gray	Pink	Yellow	Violet	Green	Brown

Cable shield connected to housing;
 U_P = power supply; T = temperature
Sensor: The sensor line is connected internally with the corresponding power line.
 Vacant pins or wires must not be used!

¹⁾ Not assigned if a power of 7 to 10 V is supplied via motor-internal adapter cable

²⁾ Only for motor-internal adapter cables

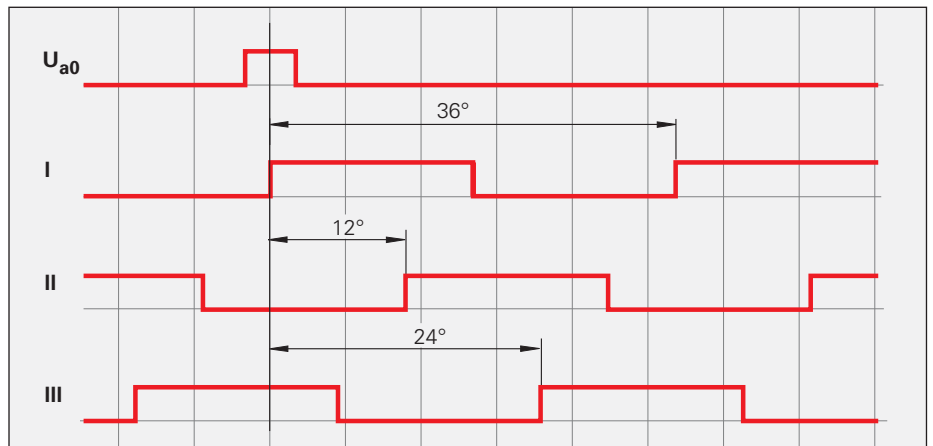
Commutation Signals for Block Commutation

The **block commutation signals I, II and III** are derived from three separate absolute tracks. They are transmitted as square-wave signals in TTL levels.

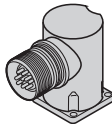

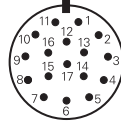



The **ERN 1326** is a rotary encoder with output signals for block commutation.




Interface	Square-wave signals \square TTL
Commutation signals	Three square-wave signals I, II, III and their inverse signals \bar{I} , \bar{II} , \bar{III}
Width	120° mech. or 90° mech. (other versions upon request)
Signal level	See <i>Incremental Signals</i> \square TTL
Incremental signals	See <i>Incremental Signals</i> \square TTL
Connecting cable	HEIDENHAIN cable with shielding PUR [4(2 x 0.14 mm ²) + 4(2 x 0.14 mm ²) + (4 x 0.5 mm ²)]
Cable length	Max. 100 m
Propagation time	6 ns/m

Example of a signal sequence for block commutation



Pin layout

17-pin flange socket M23   	Power supply				Incremental signals					
		7	1	10	11	15	16	12	13	3
	1b	2b	1a	/	5b	5a	4b	4a	3b	3a
	U_P	Sensor U_P	0V	Inside shield	U_{a1}	\bar{U}_{a1}	U_{a2}	\bar{U}_{a2}	U_{a0}	\bar{U}_{a0}
	Brown/ Green	Blue	White/ Green	/	Green/ Black	Yellow/ Black	Blue/ Black	Red/ Black	Red	Black

	Other signals						
	4	5	6	14	17	9	8
	2a	8b	8a	6b	6a	7b	7a
	\bar{U}_{aS}	I	\bar{I}	II	\bar{II}	III	\bar{III}
	White	Green	Brown	Yellow	Violet	Gray	Pink

Cable shield connected to housing;
U_P = power supply voltage
Sensor: The sensor line is connected internally with the corresponding power line. Vacant pins or wires must not be used!

Interfaces

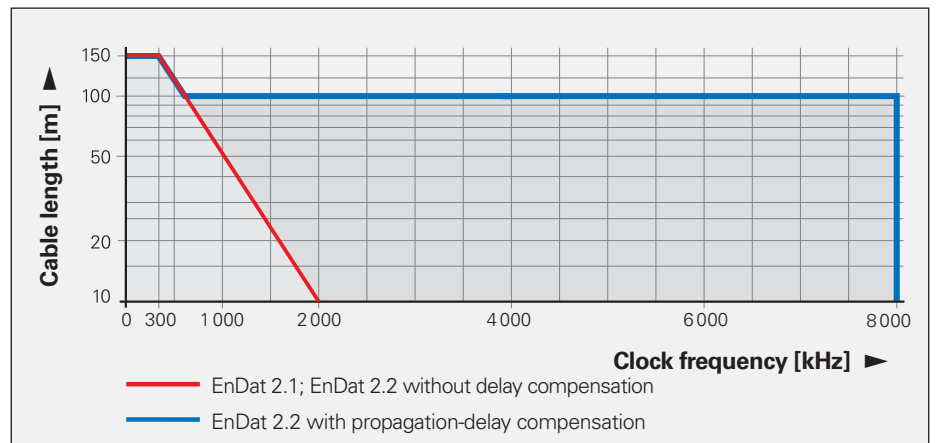
Absolute Position Values

The EnDat interface is a digital, **bidirectional** interface for encoders. It is capable of transmitting **position values** from both absolute and—with EnDat 2.2—incremental encoders, as well as reading and updating information stored in the encoder, or of saving new information. Thanks to the **serial transmission method** only **four signal lines** are required. The data are transmitted **in synchronism** with the clock signal from the subsequent electronics. The type of transmission (position values, parameters, diagnostics, etc.) is selected by mode commands that the subsequent electronics send to the encoder.

Clock frequency and cable length

Without propagation-delay compensation, the **clock frequency**—depending on the cable length—is variable between **100 kHz** and **2 MHz**. Because large cable lengths and high clock frequencies increase the signal run time to the point that they can disturb the unambiguous assignment of data, the delay can be measured in a test run and then compensated. With this **propagation-delay compensation** in the subsequent electronics, clock frequencies up to **8 MHz** at cable lengths up to a maximum of 100 m are possible. The maximum clock frequency is mainly determined by the cables and connecting elements used. To ensure proper function at clock frequencies above 2 MHz, use only original ready-made HEIDENHAIN cables.

Interface	EnDat serial bidirectional
Data transfer	Absolute position values, parameters and additional information
Data input	Differential line receiver according to EIA standard RS 485 for the CLOCK, $\overline{\text{CLOCK}}$, DATA and $\overline{\text{DATA}}$
Data output	Differential line driver according to EIA standard RS 485 for the DATA and $\overline{\text{DATA}}$
Code	Pure binary code
Position values	Ascending during traverse in direction of arrow (see Dimensions)
Incremental signals	$\sim 1 V_{PP}$ (see <i>Incremental Signals 1 V_{PP}</i>) depending on unit
Connecting cable	HEIDENHAIN cable with shielding
With Incremental signals	PUR [(4 x 0.14 mm ²) + 4(2 x 0.14 mm ²) + (4 x 0.5 mm ²)]
Without signals	PUR [(4 x 0.14 mm ²) + (4 x 0.34 mm ²)]
Cable length	Max. 150 m
Propagation time	Max. 10 ns; approx. 6 ns/m

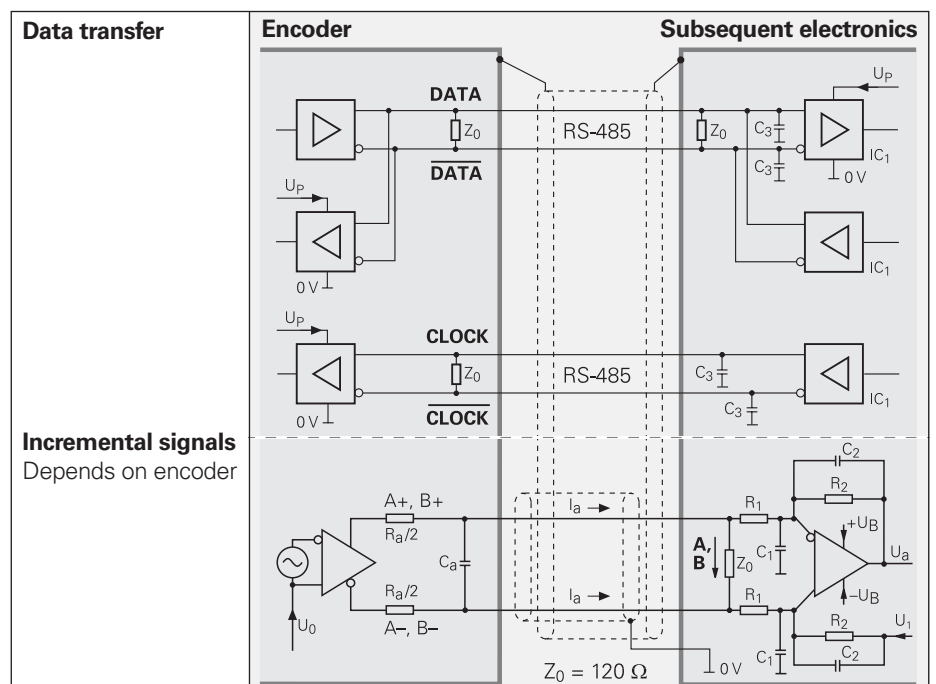


Input circuitry of the subsequent electronics

Dimensioning

IC₁ = RS 485 differential line receiver and driver

C₃ = 330 pF
Z₀ = 120 Ω



Versions

The extended EnDat interface version 2.2 is compatible in its communication, command set and time conditions with version 2.1, but also offers significant advantages. It makes it possible, for example, to transfer additional information with the position value without sending a separate request for it. The interface protocol was expanded and the time conditions (clock frequency, processing time, recovery time) were optimized. In addition, encoders with ordering designations EnDat 02 or EnDat 22 have an extended power supply range.

Both EnDat 2.1 and EnDat 2.2 are available in versions with or without incremental signals. EnDat 2.2 encoders feature a high internal resolution. Therefore, depending on the control technology being used, interrogation of the incremental signals is not necessary. To increase the resolution of EnDat 2.1 encoders, the incremental signals are evaluated in the subsequent electronics.

Command set

The command set is the sum of all available mode commands. The EnDat 2.2 command set includes EnDat 2.1 mode commands. When a mode command from the EnDat 2.2 command set is transmitted to EnDat-01 subsequent electronics, the encoder or the subsequent electronics may generate an error message.

EnDat 2.2 command set (includes EnDat 2.1 command set)

- Position values for incremental and absolute encoders
- Additional information on position value
 - Diagnostics and test values
 - Absolute position values after reference run of incremental encoders
 - Parameter upload/download
 - Commutation
 - Acceleration
 - Limit position signal
 - Temperature of the encoder PCB
 - Temperature evaluation of an external temperature sensor (e.g. in the motor winding)

EnDat 2.1 command set

- Absolute position values
- Parameter upload/download
- Reset
- Test command and test values

Interface	Command set	Ordering designation	Version	Clock frequency
EnDat	EnDat 2.1 or EnDat 2.2	EnDat 01	With incremental signals	≤ 2 MHz
		EnDat 21	Without incremental signals	
	EnDat 2.2	EnDat 02	With incremental signals	≤ 2 MHz
	EnDat 2.2	EnDat 22	Without incremental signals	≤ 8 MHz

Benefits of the EnDat Interface

- **Automatic self-configuration:** All information required by the subsequent electronics is already stored in the encoder.
- **High system security** through alarms and messages for monitoring and diagnosis.
- **High transmission reliability** through cyclic redundancy checks.
- **Faster configuration during installation: Datum shifting** through offsetting by a value in the encoder.

Other benefits of EnDat 2.2

- **A single interface** for all absolute and incremental encoders.
- **Additional information** (limit switch, temperature, acceleration).
- **Quality improvement:** Position value calculation in the encoder permits shorter sampling intervals (25 µs).

Advantages of purely serial transmission

specifically for EnDat 2.2 encoders

- **Simple subsequent electronics** with EnDat receiver chip.
- **Simple connection technology:** Standard connecting elements (M12, 8-pin), single-shielded standard cable and low wiring costs.
- **Minimized transmission times** through adaptation of the data word length to the resolution of the encoder.
- **High clock frequencies** up to 8 MHz. Position values available in the subsequent electronics after only approx. 10 µs.
- **Support for state-of-the-art machine designs** e.g. direct drive technology.

Functions

The EnDat interface transmits absolute position values or additional physical quantities (only EnDat 2.2) in an unambiguous time sequence and serves to read from and write to the encoder's internal memory. Some functions are available only with EnDat 2.2 mode commands.

Position values can be transmitted with or without additional information. The additional information types are selectable via the Memory Range Select (MRS) code. Other functions such as parameter reading and writing can also be called after the memory area and address have been selected. Through simultaneous transmission with the position value, additional information can also be requested of axes in the feedback loop, and functions executed with them.

Parameter reading and writing is possible both as a separate function and in connection with the position value. Parameters can be read or written after the memory area and address is selected.

Reset functions serve to reset the encoder in case of malfunction. Reset is possible instead of or during position value transmission.

Servicing diagnostics make it possible to inspect the position value even at a standstill. A test command has the encoder transmit the required test values.

You can find more information in the *Technical Information* document for *EnDat 2.2* or on the Internet at www.endat.de

Selecting the Transmission Type

Transmitted data are identified as either position values, position values with additional information, or parameters. The type of information to be transmitted is selected by mode commands. **Mode commands** define the content of the transmitted information. Every mode command consists of three bits. To ensure reliable transmission, every bit is transmitted redundantly (inverted or redundant). If the encoder detects an erroneous mode transmission, it transmits an error message. The EnDat 2.2 interface can also transfer parameter values in the additional information together with the position value. This makes the current position values constantly available for the control loop, even during a parameter request.

Control cycles for transfer of position values

The transmission cycle begins with the first falling **clock edge**. The measured values are saved and the position value calculated. After two clock pulses (2T), to **select the type of transmission**, the subsequent electronics transmit the mode command "Encoder transmit position value" (with/without additional information).

After successful calculation of the absolute position value (t_{cal} —see table), the **start bit** begins the data transmission from the encoder to the subsequent electronics. The subsequent **error messages**, error 1 and error 2 (only with EnDat 2.2 commands), are group signals for all monitored functions and serve as failure monitors.

Beginning with the LSB, the encoder then transmits the absolute **position value** as a complete data word. Its length varies depending on which encoder is being used. The number of required clock pulses for transmission of a position value is saved in the parameters of the encoder manufacturer. The data transmission of the position value is completed with the **Cyclic Redundancy Check (CRC)**.

In EnDat 2.2, this is followed by additional information 1 and 2, each also concluded with a CRC. With the end of the data word, the clock must be set to HIGH. After 10 to 30 μ s or 1.25 to 3.75 μ s (with EnDat 2.2 parameterizable recovery time t_m) the data line falls back to LOW. Then a **new data transmission** can begin by starting the clock.

Mode commands

<ul style="list-style-type: none"> Encoder transmit position value Selection of the memory area Encoder receive parameters Encoder transmit parameters Encoder receive reset¹⁾ Encoder transmit test values Encoder receive test commands 	EnDat 2.1	EnDat 2.2
<ul style="list-style-type: none"> Encoder transmit position value with additional information Encoder transmit position value and receive selection of memory area²⁾ Encoder transmit position value and receive parameters²⁾ Encoder transmit position value and transmit parameters²⁾ Encoder transmit position value and receive error reset²⁾ Encoder transmit position value and receive test command²⁾ Encoder receive communication command³⁾ 		

¹⁾ Same reaction as switching the power supply off and on

²⁾ Selected additional information is also transmitted

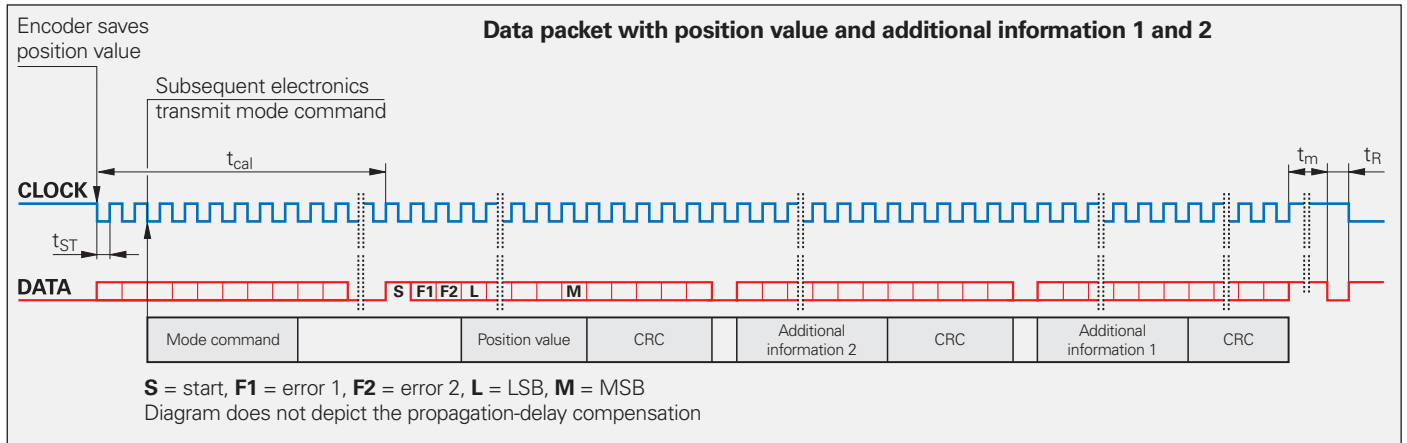
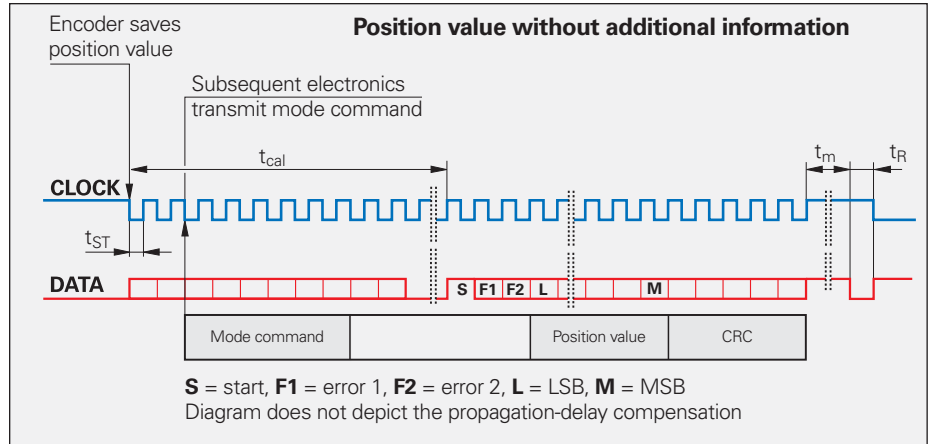
³⁾ Reserved for encoders that do not support the safety system

The time absolute linear encoders need for calculating the position values t_{cal} differs depending on whether EnDat 2.1 or EnDat 2.2 mode commands are transmitted (see *Specifications* in the *Linear Encoders for Numerically Controlled Machine Tools* brochure). If the incremental signals are evaluated for axis control, then the EnDat 2.1 mode commands should be used. Only in this manner can an active error message be transmitted synchronously with the currently requested position value. EnDat 2.1 mode commands should not be used for purely serial position-value transfer for axis control.

		Without delay compensation	With delay compensation
Clock frequency	f_c	100 kHz ... 2 MHz	100 kHz ... 8 MHz
Calculation time for Position value Parameters	t_{cal} t_{ac}	See <i>Specifications</i> Max. 12 ms	
Recovery time	t_m	<i>EnDat 2.1</i> : 10 to 30 μ s <i>EnDat 2.2</i> : 10 to 30 μ s or 1.25 to 3.75 μ s ($f_c \geq 1$ MHz) (parameterizable)	
	t_R	Max. 500 ns	
	t_{ST}	–	2 to 10 μ s
Data delay time	t_D	(0.2 + 0.01 x cable length in m) μ s	
Pulse width	t_{HI}	0.2 to 10 μ s	Pulse width fluctuation HIGH to LOW max. 10%
	t_{LO}	0.2 to 50 ms/30 μ s (with LC)	

EnDat 2.2 – Transmission of Position Values

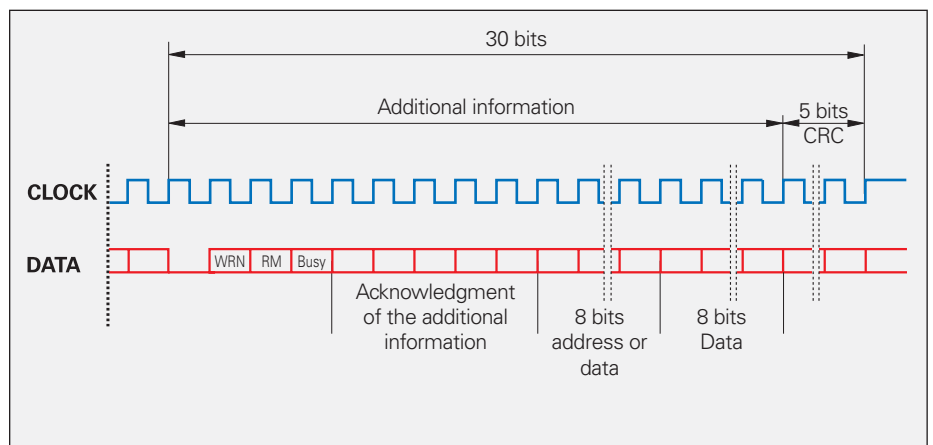
EnDat 2.2 can transmit position values with or without additional information.



Additional information

With EnDat 2.2, one or two pieces of additional information can be appended to the position value. Each additional information is 30 bits long with LOW as first bit, and ends with a CRC check. The additional information supported by the respective encoder is saved in the encoder parameters.

The content of the additional information is determined by the MRS code and is transmitted in the next sampling cycle for additional information. This information is then transmitted with every sampling until a selection of a new memory area changes the content.



The additional information always begins with:

Status data
Warning – WRN
Reference mark—RM
Parameter request—busy
Acknowledgment of additional information

The additional information can contain the following data:

Additional information 1
Diagnosis
Position value 2
Memory parameters
MRS-code acknowledgment
Test values
Temperature

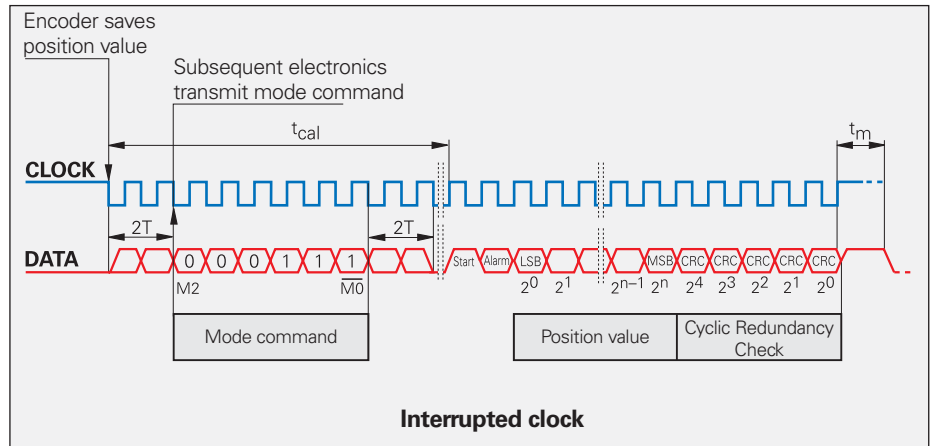
Additional information 2
Commutation
Acceleration
Limit position signals

EnDat 2.1 – Transmission of Position Values

EnDat 2.1 can transmit position values with interrupted clock pulse (as in EnDat 2.2) or continuous clock pulse.

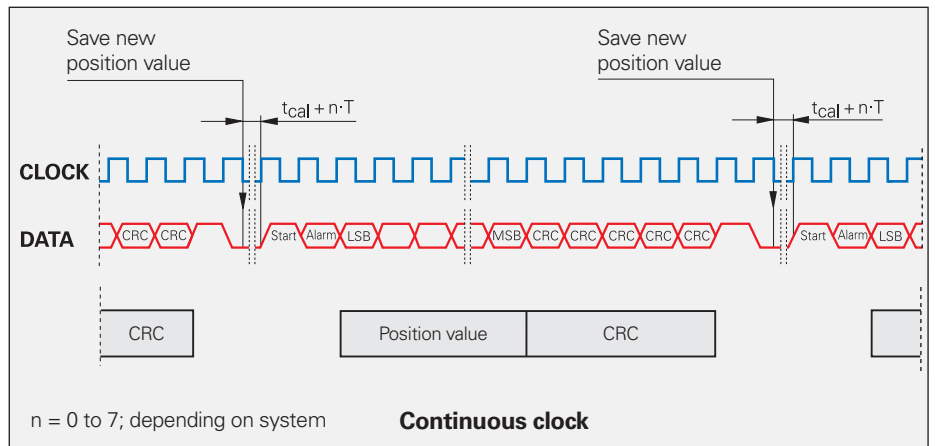
Interrupted clock

The interrupted clock is intended particularly for time-clocked systems such as closed control loops. At the end of the data word the clock signal is set to HIGH level. After 10 to 30 μs (t_m), the data line falls back to LOW. A new data transmission can then begin when started by the clock.



Continuous clock

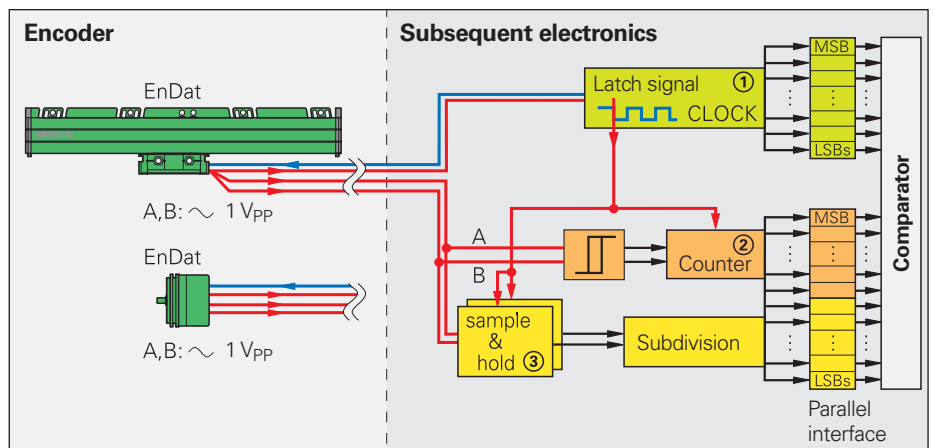
For applications that require fast acquisition of the measured value, the EnDat interface can have the clock run continuously. Immediately after the last CRC bit has been sent, the data line is switched to high for one clock cycle, and then to low. The new position value is saved with the very next falling edge of the clock and is output in synchronism with the clock signal immediately after the start bit and alarm bit. Because the mode command *Encoder transmit position value* is needed only before the first data transmission, the continuous-clock transfer mode reduces the length of the clock-pulse group by 10 periods per position value.



Synchronization of the serially transmitted code value with the incremental signal

Absolute encoders with EnDat interface can exactly synchronize serially transmitted absolute position values with incremental values. With the first falling edge (latch signal) of the CLOCK signal from the subsequent electronics, the scanning signals of the individual tracks in the encoder and counter are frozen, as are the A/D converters for subdividing the sinusoidal incremental signals in the subsequent electronics.

The code value transmitted over the serial interface unambiguously identifies one incremental signal period. The position value is absolute within one sinusoidal period of the incremental signal. The subdivided incremental signal can therefore be appended in the subsequent electronics to the serially transmitted code value.




After power on and initial transmission of position values, two redundant position values are available in the subsequent electronics. Since encoders with EnDat interface guarantee a precise synchronization—regardless of cable length—of the serially transmitted absolute value with the incremental signals, the two

values can be compared in the subsequent electronics. This monitoring is possible even at high shaft speeds thanks to the EnDat interface's short transmission times of less than 50 μs . This capability is a prerequisite for modern machine design and safety systems.

Parameters and Memory Areas

The encoder provides several memory areas for parameters. These can be read from by the subsequent electronics, and some can be written to by the encoder manufacturer, the OEM, or even the end user. Certain memory areas can be write-protected.

 The parameters, which in most cases are set by the OEM, largely define the function of the encoder and the EnDat interface. When the encoder is exchanged, it is therefore essential that its parameter settings are correct. Attempts to configure machines without including OEM data can result in malfunctions. If there is any doubt as to the correct parameter settings, the OEM should be consulted.

Parameters of the encoder manufacturer

This write-protected memory area contains all **information specific to the encoder**, such as encoder type (linear/angular, singleturn/multiturn, etc.), signal periods, position values per revolution, transmission format of position values, direction of rotation, maximum speed, accuracy dependent on shaft speeds, warnings and alarms, part number and serial number. This information forms the basis for **automatic configuration**. A separate memory area contains the parameters typical for EnDat 2.2: Status of additional information, temperature, acceleration, support of diagnostic and error messages, etc.

Parameters of the OEM

In this freely definable memory area, the OEM can store his information, e.g. the “electronic ID label” of the motor in which the encoder is integrated, indicating the motor model, maximum current rating, etc.

Operating parameters

This area is available for a **datum shift** and the configuration of diagnostics. It can be protected against overwriting.

Operating status

This memory area provides detailed alarms or warnings for diagnostic purposes. Here it is also possible to activate write protection for the OEM parameter and operating parameter memory areas, and to interrogate their status. Once activated, **the write protection** cannot be reversed.

Safety System

Safety-related encoders that are based on data transmission via the EnDat 2.2 interface can be used in safety-related applications. The systems are inspected for compliance with IEC 61 508, ISO 13849 and EN 954-1.

Monitoring and Diagnostic Functions

The EnDat interface enables comprehensive monitoring of the encoder without requiring an additional transmission line. The alarms and warnings supported by the respective encoder are saved in the “parameters of the encoder manufacturer” memory area.

Error message

An error message becomes active if a **malfunction of the encoder** might result in incorrect position values. The exact cause of the disturbance is saved in the “operating status” memory and can be interrogated in detail. Errors include, for example,

- Light unit failure
- Signal amplitude too low
- Error in calculation of position value
- Power supply too high/low
- Current consumption is excessive

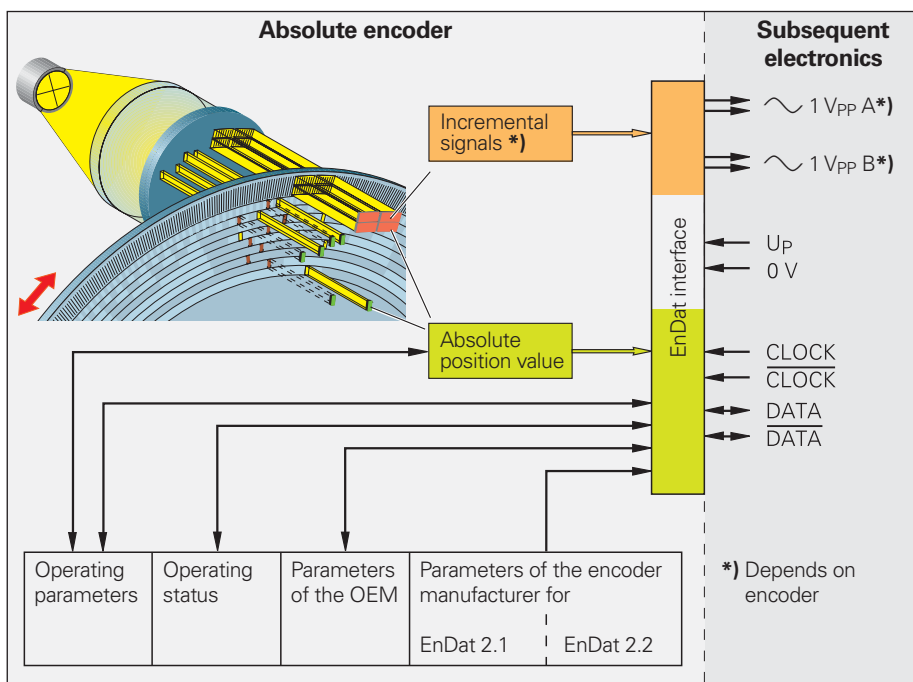
Here the EnDat interface transmits the error bits—error 1 and error 2 (only with EnDat 2.2 commands). These are group signals for all monitored functions and serve for failure monitoring. The two error messages are generated independently from each other.

Warning

This collective bit is transmitted in the status data of the additional information. It indicates that certain **tolerance limits of the encoder** have been reached or exceeded—such as shaft speed or the limit of light source intensity compensation through voltage regulation—without implying that the measured position values are incorrect. This function makes it possible to issue preventive warnings in order to minimize idle time.

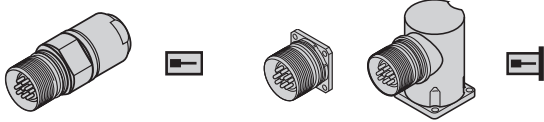
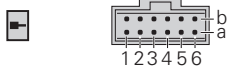



Cyclic Redundancy Check




To ensure **reliability of data transfer**, a cyclic redundancy check (CRC) is performed through the logical processing of the individual bit values of a data word. This 5-bit long CRC concludes every transmission. The CRC is decoded in the receiver electronics and compared with the data word. This largely eliminates errors caused by disturbances during data transfer.



Pin Layout

Pin layout

17-pin coupling or flange socket M23						12-pin PCB connector							
													
Power supply						Incremental signals ¹⁾				Absolute position values			
	7	1	10	4	11	15	16	12	13	14	17	8	9
	1b	6a	4b	3a	/	2a	5b	4a	3b	6b	1a	2b	5a
	U_P	Sensor ²⁾ U _P	0V	Sensor ²⁾ 0V	Inside shield	A+	A-	B+	B-	DATA	DATA	CLOCK	CLOCK
	Brown/ Green	Blue	White/ Green	White	/	Green/ Black	Yellow/ Black	Blue/ Black	Red/ Black	Gray	Pink	Violet	Yellow

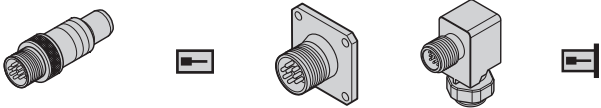



Other signals	
	5
	6
	/
	T+ ³⁾
	T- ³⁾
	Brown ³⁾
	White ³⁾

Cable shield connected to housing; **U_P** = power supply voltage; **T** = temperature
Sensor: The sensor line is connected internally with the corresponding power line.
 Vacant pins or wires must not be used!

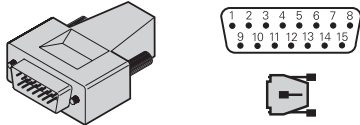
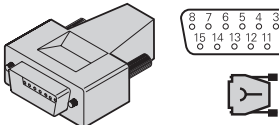



¹⁾ Only with ordering designations 01 and 02

²⁾ Not assigned if a power of 7 to 10 V is supplied via motor-internal adapter cable

³⁾ Only for motor-internal adapter cables

8-pin coupling or flange socket M12								
								
Power supply					Absolute position values			
	2	8	1	5	3	4	7	6
	U_P ¹⁾	U_P	0V ¹⁾	0V	DATA	DATA	CLOCK	CLOCK
	Blue	Brown/Green	White	White/Green	Gray	Pink	Violet	Yellow

¹⁾ For parallel supply lines

15-pin D-sub connector, male for IK 115/IK 215						15-pin D-sub connector, female for HEIDENHAIN controls and IK 220							
													
Power supply						Incremental signals ¹⁾				Absolute position values			
	4	12	2	10	6	1	9	3	11	5	13	8	15
	1	9	2	11	13	3	4	6	7	5	8	14	15
	U_P	Sensor U _P	0V	Sensor 0V	Inside shield	A+	A-	B+	B-	DATA	DATA	CLOCK	CLOCK
	Brown/ Green	Blue	White/ Green	White	/	Green/ Black	Yellow/ Black	Blue/ Black	Red/ Black	Gray	Pink	Violet	Yellow

Cable shield connected to housing; **U_P** = power supply voltage

¹⁾ Only with ordering designation 01 and 02

Sensor: The sensor line is connected internally with the corresponding power line.

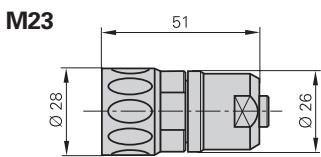
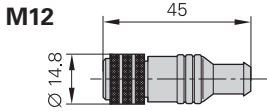
Vacant pins or wires must not be used!

Connecting Elements and Cables

General Information

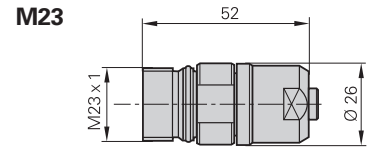
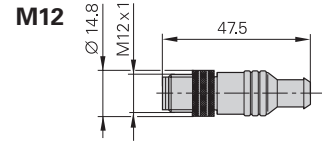
Insulated connector: Connecting element with coupling ring; available with male or female contacts.

Symbols  

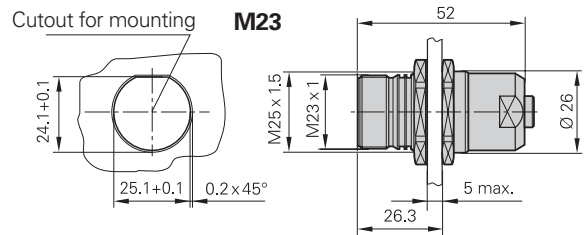


Insulated coupling: Connecting element with external thread. Available with male or female contacts.

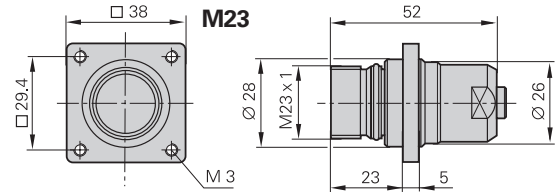
Symbols  



Mounted coupling with central fastening

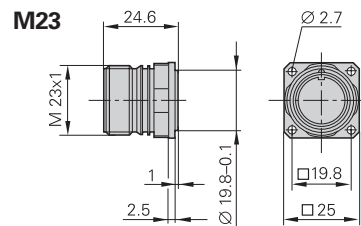


Mounted coupling with flange

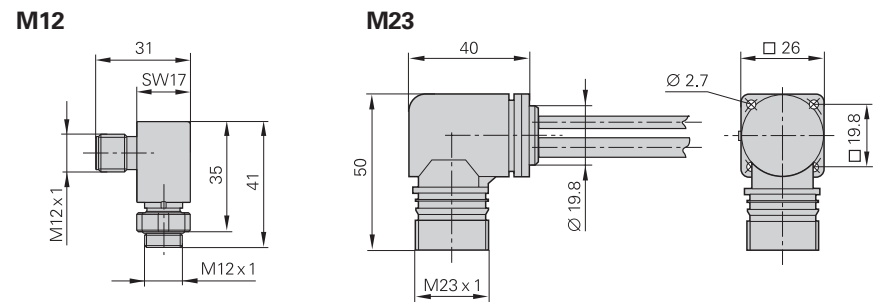


Flange socket: Permanently mounted on the encoder or a housing, with external thread (like the coupling), and available with male or female contacts.

Symbols  

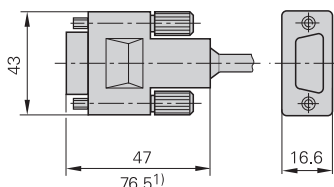


Right-angle flange socket (rotatable) on adapter cable inside the motor with connection for temperature sensor



D-sub connector: For HEIDENHAIN controls, counters and IK absolute value cards.

Symbols  



¹) with integrated interpolation electronics

The pins on connectors are **numbered** in the direction opposite to those on couplings or flange socket, regardless of whether the contacts are

Male contacts or  
 Female contacts  

When engaged, the connections provide **protection** to IP 67 (D-sub connector: IP 50; IEC 60529). When not engaged, there is no protection.




Accessories for flange socket and M23 mounted couplings

Bell seal
Id. Nr. 266526-01




Threaded metal dust cap
Id. Nr. 219926-01

Connecting Elements and Cables

Encoder Cable

Encoder cable inside the motor housing Cable diameter 4.5 mm 16xAWG30/7 for	Complete		Complete	With one connector	
	PCB connector	Crimp sleeve	With PCB connector and right-angle socket M23, 17-pin	With PCB connector and right-angle socket M12, 8-pin for pure serial data transmission	
					
ECN 1113 EQN 1125	12-pin	Ø 4.5 mm	349851-xx	–	349825-xx
ECI 1116 EQI 1128	12-pin	Ø 4.5 mm	–	–	392 107-xx [4 x (2 x 0.14 mm ²)]
ERN 1120 ERN 1180	15-pin	Ø 4.5 mm	–	–	541 249-xx
ERN 1185	14-pin	Ø 4.5 mm	316594-xx	–	317900-xx
ECN 1313 EQN 1325 ECI 1317 EQI 1329	12-pin	Ø 6 mm	332 201-xx	–	332 202-xx
ECN 1325 EQN 1337	12-pin, 4-pin	Ø 6 mm	–	530094-01	–
ERN 1387	14-pin	Ø 6 mm	332 199-xx	–	332 200-xx
ERN 1326	16-pin	Ø 6 mm	341 370-xx ¹⁾	–	341 369-xx
ERN 1321 ERN 1381	12-pin	Ø 6 mm	340 111-xx	–	333 276-xx

¹⁾ Without separate connections for temperature sensor

Encoder cable for	With one connector with 12-pin PCB connector		
	Cable Ø 4.5 mm with shield connection clamp	Cable Ø 4.5 mm	Ribbon cable
			
ERO 1225 ERO 1285 ERO 1384	372 164-xx	–	–
ERO 1324	–	295 545-xx	–
ERO 1420 ERO 1470 ERO 1480	364 439-xx	–	365 509-xx

Connecting Cables

8-pin 12-pin 17-pin
M12 M23 M23

		for EnDat without incremental signals	for $\sim 1V_{PP}$ TTL	for EnDat with incremental signals SSI
PUR connecting cable	8-pin: $[(4 \times 0.14 \text{ mm}^2) + (4 \times 0.34 \text{ mm}^2)]$ 12-pin: $[4(2 \times 0.14 \text{ mm}^2) + (4 \times 0.5 \text{ mm}^2)]$ 17-pin: $[(4 \times 0.14 \text{ mm}^2) + 4(2 \times 0.14 \text{ mm}^2) + (4 \times 0.5 \text{ mm}^2)]$		$\varnothing 6 \text{ mm}$ $\varnothing 8 \text{ mm}$ $\varnothing 8 \text{ mm}$	
Complete with connector (female) and coupling (male)		368330-xx	298401-xx	323897-xx
Complete with connector (female) and connector (male)		–	298399-xx	–
Complete with connector (female) and D-sub connector (female) for IK 220		–	310199-xx	332115-xx
Complete with connector (female) and D-sub connector (male) for IK 115/IK 215		524599-xx	310196-xx	324544-xx
With one connector (female)		559346-xx	309777-xx	309778-xx
Cable only , $\varnothing 8 \text{ mm}$		–	244957-01	266306-01
Mating element on connecting cable to connector on encoder cable	Connector (female) for cable $\varnothing 8 \text{ mm}$ 	–	291697-05	291697-26
Connector on cable for connection to subsequent electronics	Connector (male) for cable $\varnothing 8 \text{ mm}$ $\varnothing 6 \text{ mm}$ 	–	291697-08 291697-07	291697-27
Coupling on connecting cable	Coupling (male) for cable $\varnothing 4.5 \text{ mm}$ $\varnothing 6 \text{ mm}$ $\varnothing 8 \text{ mm}$ 	–	291698-14 291698-03 291698-04	291698-25 291698-26 291698-27
Flange socket for mounting on the subsequent electronics	Coupling (female) 	–	315892-08	315892-10
Mounted couplings	With flange (female) $\varnothing 6 \text{ mm}$ $\varnothing 8 \text{ mm}$ 	–	291698-17 291698-07	291698-35
	With flange (male) $\varnothing 6 \text{ mm}$ $\varnothing 8 \text{ mm}$ 	–	291698-08 291698-31	291698-41 291698-29
	With central fastening (male) $\varnothing 6 \text{ mm}$ 	–	291698-33	291698-37
Adapter connector $\sim 1V_{PP}/11 \mu A_{PP}$ For converting the $1 V_{PP}$ signals to $11 \mu A_{PP}$; M23 connector (female) 12-pin and M23 connector (male) 9-pin		–	364914-01	–

General Electrical Information

Power Supply

The encoders require a **stabilized dc voltage U_p** as power supply. The respective *Specifications* state the required power supply and the current consumption. The permissible ripple content of the dc voltage is:

- High frequency interference
 $U_{PP} < 250 \text{ mV}$ with $dU/dt > 5 \text{ V}/\mu\text{s}$
- Low frequency fundamental ripple
 $U_{PP} < 100 \text{ mV}$

The values apply as measured at the encoder, i.e., without cable influences. The voltage can be monitored and adjusted with the encoder's **sensor lines**. If a controllable power supply is not available, the voltage drop can be halved by switching the sensor lines parallel to the corresponding power lines.

Calculation of the **voltage drop**:

$$\Delta U = 2 \cdot 10^{-3} \cdot \frac{L_C \cdot I}{56 \cdot A_P}$$

where ΔU : Line drop in V

L_C : Cable length in m

I : Current consumption in mA

A_P : Cross section of power lines in mm^2

Switch-on/off behavior of the encoders

The output signals are valid no sooner than after switch-on time $t_{SOT} = 1.3 \text{ s}$ (see diagram). During time t_{SOT} they can have any levels up to 5.5 V (with HTL encoders up to U_{Pmax}). If an interpolation electronics unit is inserted between encoder and power supply, the electronics switch-on/switch-off characteristics must also be considered. When the power supply is switched off, or when the supply voltage falls below U_{min} , the output signals are also undefined. The given data applies only for the encoders listed in the catalog—custom-designed interfaces are not taken into account.

Encoders with new features and increased performance range may take longer to switch on (longer time t_{SOT}). If you are responsible for developing subsequent electronics, please contact HEIDENHAIN in good time.

Isolation

The encoder housings are isolated against internal circuits.

Rated surge voltage: 500 V (preferred value as per VDE 0110 Part 1, over-voltage category II, contamination level 2)

Cable

It is absolutely necessary to use HEIDENHAIN cables for **safety-related applications**. The **cable lengths** listed in the *Specifications* apply only for HEIDENHAIN cables and the recommended input circuitry of the subsequent electronics.

Durability

All encoders have polyurethane (PUR) cables. PUR cables are resistant to oil, hydrolysis and microbes in accordance with **VDE 0472**. They are free of PVC and silicone and comply with UL safety directives. The **UL certification** AWM STYLE 20963 80 °C 30 V E63216 is documented on the cable.

Temperature range

HEIDENHAIN cables can be used

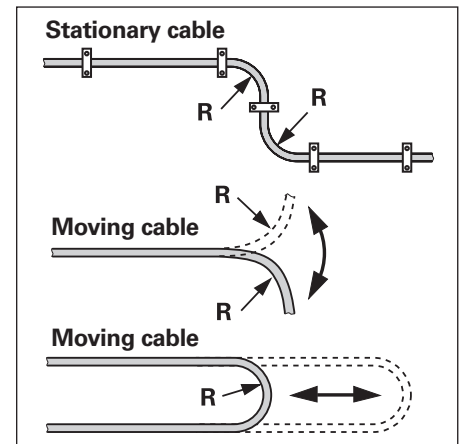
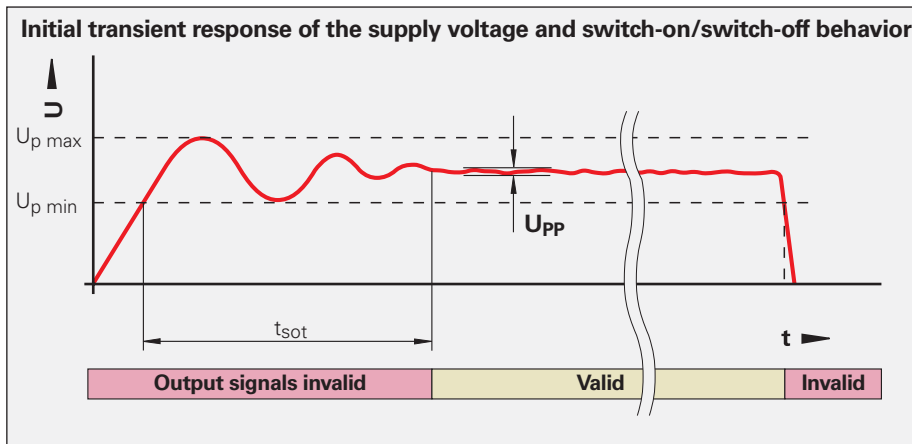
- for rigid configuration -40 to 85 °C
- for frequent flexing -10 to 85 °C

Cables with limited resistance to hydrolysis and microbes are rated for up to 100 °C .

If required, please ask for assistance from HEIDENHAIN Traunreut.

Bending radius

The permissible bending radii R depend on the cable diameter and the configuration:



Connect HEIDENHAIN position encoders only to subsequent electronics whose power supply is generated through double or strengthened insulation against line voltage circuits. Also see **IEC 364-4-41: 1992**, modified Chapter 411 regarding "protection against both direct and indirect touch" (PELV or SELV). If position encoders or electronics are used in safety-related applications, they must be operated with protective extra-low voltage (PELV) and provided with overcurrent protection or, if required, with overvoltage protection.

Cable	Cross section of power supply lines A_P				Bend radius R	
	1 V_{PP} /TTL/HTL	11 μA_{PP}	EnDat/SSI 17-pin	EnDat ⁴⁾ 8-pin	Stationary cable	Moving cable
$\varnothing 3.7 \text{ mm}$	0.05 mm^2	–	–	–	$\geq 8 \text{ mm}$	$\geq 40 \text{ mm}$
$\varnothing 4.5 \text{ mm}$ $\varnothing 5.1 \text{ mm}$	$0.14/0.05^{2)} \text{ mm}^2$	0.05 mm^2	0.05 mm^2	0.14 mm^2	$\geq 10 \text{ mm}$	$\geq 50 \text{ mm}$
$\varnothing 6 \text{ mm}$ $\varnothing 10 \text{ mm}^{1)}$	$0.19/0.14^{3)} \text{ mm}^2$	–	0.08 mm^2	0.34 mm^2	$\geq 20 \text{ mm}$ $\geq 35 \text{ mm}$	$\geq 75 \text{ mm}$ $\geq 75 \text{ mm}$
$\varnothing 8 \text{ mm}$ $\varnothing 14 \text{ mm}^{1)}$	0.5 mm^2	1 mm^2	0.5 mm^2	1 mm^2	$\geq 40 \text{ mm}$ $\geq 100 \text{ mm}$	$\geq 50 \text{ mm}$ $\geq 100 \text{ mm}$

¹⁾Metal armor ²⁾Length gauges ³⁾LIDA 400 ⁴⁾Also Fanuc, Mitsubishi

Electrically Permissible Speed/ Traversing Speed

The maximum permissible shaft speed or traversing velocity of an encoder is derived from

- the **mechanically** permissible shaft speed/traversing velocity (if listed in *Specifications*) and
- the **electrically** permissible shaft speed or traversing velocity.

For encoders with **sinusoidal output signals**, the electrically permissible shaft speed or traversing velocity is limited by the $-3\text{dB}/-6\text{dB}$ cutoff frequency or the permissible input frequency of the subsequent electronics.

For encoders with **square-wave signals**, the electrically permissible shaft speed/traversing velocity is limited by

- the maximum permissible scanning frequency f_{max} of the encoder and
- the minimum permissible edge separation a for the subsequent electronics.

For angular or rotary encoders

$$n_{\text{max}} = \frac{I_{\text{max}}}{z} \cdot 60 \cdot 10^3$$

For linear encoders

$$v_{\text{max}} = f_{\text{max}} \cdot \text{SP} \cdot 60 \cdot 10^{-3}$$

where:

n_{max} : Electrically permissible speed in rpm

v_{max} : Electrically permissible traversing velocity in m/min

f_{max} : Maximum scanning/output frequency of the encoder or input frequency of the subsequent electronics in kHz

z : Line count of the angle or rotary encoder per 360°

SP: Signal period of the linear encoder in μm

Noise-Free Signal Transmission

Electromagnetic compatibility/ CE compliance

When properly installed and when HEIDENHAIN connecting cables and cable assemblies are used, HEIDENHAIN encoders fulfill the requirements for electromagnetic compatibility according to 89/336/EEC with respect to the generic standards for:

• Noise immunity IEC 61000-6-2:

Specifically:	
– ESD	IEC 61000-4-2
– Electromagnetic fields	IEC 61000-4-3
– Burst	IEC 61000-4-4
– Surge	IEC 61000-4-5
– Conducted disturbances	IEC 61000-4-6
– Power frequency magnetic fields	IEC 61000-4-8
– Pulse magnetic fields	IEC 61000-4-9

• Interference IEC 61000-6-4:

Specifically:	
– For industrial, scientific and medical (ISM) equipment	IEC 55011
– For information technology equipment	IEC 55022

Transmission of measuring signals— electrical noise immunity

Noise voltages arise mainly through capacitive or inductive transfer. Electrical noise can be introduced into the system over signal lines and input or output terminals.

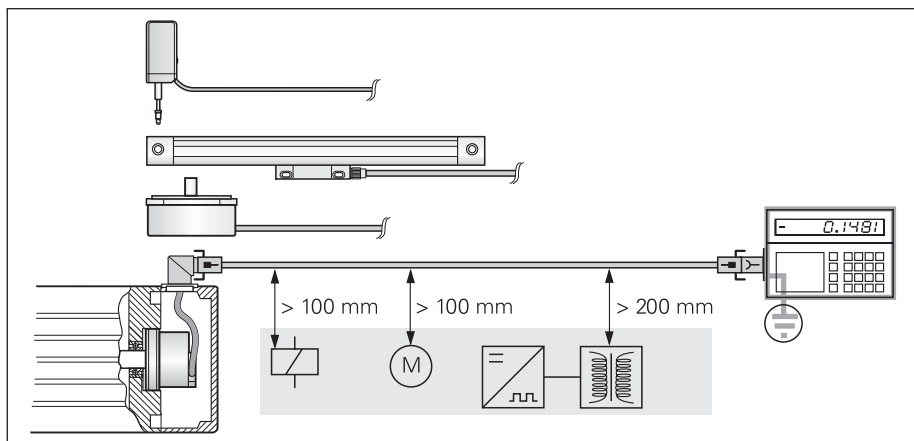
Possible sources of noise are:

- Strong magnetic fields from transformers and electric motors
- Relays, contactors and solenoid valves
- High-frequency equipment, pulse devices, and stray magnetic fields from switch-mode power supplies
- AC power lines and supply lines to the above devices

Protection against electrical noise

The following measures must be taken to ensure disturbance-free operation:

- Use only HEIDENHAIN cables.
- Use connectors or terminal boxes with metal housings. Do not conduct any extraneous signals.
- Connect the housings of the encoder, connector, terminal box and evaluation electronics through the shield of the cable. Connect the shielding in the area of the cable inlets to be as induction-free as possible (short, full-surface contact).
- Connect the entire shielding system with the protective ground.
- Prevent contact of loose connector housings with other metal surfaces.
- The cable shielding has the function of an equipotential bonding conductor. If compensating currents are to be expected within the entire system, a separate equipotential bonding conductor must be provided. See also **EN 50178/4.98** Chapter 5.2.9.5 regarding “protective connection lines with small cross section.”
- Do not lay signal cables in the direct vicinity of interference sources (inductive consumers such as contacts, motors, frequency inverters, solenoids, etc.).
- Sufficient decoupling from interference-signal-conducting cables can usually be achieved by an air clearance of 100 mm or, when cables are in metal ducts, by a grounded partition.
- A minimum spacing of 200 mm to inductors in switch-mode power supplies is required. Also see **EN 50178 / 4.98** Chapter 5.3.1.1 regarding cables and lines, **EN 50174-2 / 09.01** Chapter 6.7 regarding grounding and potential compensation.
- When using **multiturn encoders in electromagnetic fields** greater than 30 mT, HEIDENHAIN recommends consulting with the main facility in Traunreut.



Minimum distance from sources of interference

Both the cable shielding and the metal housings of encoders and subsequent electronics have a shielding function. The housings must have the **same potential** and be connected to the main signal ground over the machine chassis or by means of a separate potential compensating line. Potential compensating lines should have a minimum cross section of 6 mm^2 (Cu).

HEIDENHAIN Measuring Equipment

For Incremental Encoders

The **PWM 9** is a universal measuring device for checking and adjusting HEIDENHAIN incremental encoders. There are different expansion modules available for checking the different encoder signals. The values can be read on an LCD monitor. Soft keys provide ease of operation.



	PWM 9
Inputs	Expansion modules (interface boards) for 11 μ A _{PP} ; 1 V _{PP} ; TTL; HTL; EnDat*/SSI*/commutation signals *No display of position values or parameters
Features	<ul style="list-style-type: none"> • Measures signal amplitudes, current consumption, operating voltage, scanning frequency • Graphically displays incremental signals (amplitudes, phase angle and on-off ratio) and the reference-mark signal (width and position) • Displays symbols for the reference mark, fault detection signal, counting direction • Universal counter, interpolation selectable from single to 1024-fold • Adjustment support for exposed linear encoders
Outputs	<ul style="list-style-type: none"> • Inputs are connected through to the subsequent electronics • BNC sockets for connection to an oscilloscope
Power supply	10 to 30 V, max. 15 W
Dimensions	150 mm x 205 mm x 96 mm

For Absolute Encoders

The **IK 215** is an adapter card for PCs for inspecting and testing absolute HEIDENHAIN encoders with EnDat or SSI interface. Parameters can be read and written via the EnDat interface.

	IK 215
Encoder inputs	EnDat 2.1 (absolute value or incremental signals) or SSI
Interface	PCI bus, Rev. 2.1
Application software	Operating system: Windows 2000/XP Features: Display of position value Counter for incremental signals EnDat functionality Installation software for ExI 1100/1300
Signal subdivision for incremental signals	Up to 1024-fold
Dimensions	100 mm x 190 mm

Evaluation Electronics



IK 220

Universal PC counter card

The IK 220 is an expansion board for AT-compatible PCs for recording the measured values of **two incremental or absolute linear or angle encoders**. The subdivision and counting electronics **subdivide** the **sinusoidal input signals** to generate up to **4096 measuring steps** per input signal period. A driver software package is included in delivery.



For more information see the *IK 220 Product Information*

	IK 220			
Input signals (switchable)	 1 V _{PP}	 11 μA _{PP}	EnDat 2.1	SSI
Encoder inputs	Two D-sub connectors (15-pin), male			
Max. input frequency	500 kHz	33 kHz	–	
Max. cable length	60 m		10 m	
Signal subdivision (signal period to meas. step)	Up to 4096-fold			
Data register for measured values (per channel)	48 bits (44 bits used)			
Internal memory	For 8192 position values			
Interface	PCI bus (plug and play)			
Driver software and demonstration program	For WINDOWS 98/NT/2000/XP In VISUAL C++, VISUAL BASIC and BORLAND DELPHI			
Dimensions	Approx. 190 mm × 100 mm			

HEIDENHAIN

DR. JOHANNES HEIDENHAIN GmbH

Dr.-Johannes-Heidenhain-Straße 5
83301 Traunreut, Germany
☎ +49 (8669) 31-0
FAXI +49 (8669) 5061
E-Mail: info@heidenhain.de

www.heidenhain.de

DE HEIDENHAIN Technisches Büro Nord

12681 Berlin, Deutschland
☎ (030) 54705-240
E-Mail: tbn@heidenhain.de

HEIDENHAIN Technisches Büro Mitte

08468 Heinsdorfergrund, Deutschland
☎ (03765) 69544
E-Mail: tbn@heidenhain.de

HEIDENHAIN Technisches Büro West

58093 Hagen, Deutschland
☎ (02331) 9579-0
E-Mail: tbw@heidenhain.de

HEIDENHAIN Technisches Büro Südwest

70771 Leinfelden-Echterdingen, Deutschland
☎ (0711) 993395-0
E-Mail: tbsw@heidenhain.de

HEIDENHAIN Technisches Büro Südost

83301 Traunreut, Deutschland
☎ (08669) 31-1345
E-Mail: tbs@heidenhain.de

AR NAKASE SRL.

B1653AOX Villa Ballester, Argentina
☎ +54 (11) 47684242
E-Mail: nakase@nakase.com

AT HEIDENHAIN Techn. Büro Österreich

83301 Traunreut, Germany
☎ +49 (8669) 31-1337
E-Mail: tba@heidenhain.de

AU FCR Motion Technology Pty. Ltd

Laverton North 3026, Australia
☎ +61 (3) 93626800
E-Mail: vicsales@fcrmotion.com

BE HEIDENHAIN NV/SA

1760 Roosdaal, Belgium
☎ +32 (54) 343158
E-Mail: sales@heidenhain.be

BG ESD Bulgaria Ltd.

Sofia 1172, Bulgaria
☎ +359 (2) 9632949
E-Mail: info@esd.bg

BR DIADUR Indústria e Comércio Ltda.

04763-070 – São Paulo – SP, Brazil
☎ +55 (11) 5696-6777
E-Mail: diadur@diadur.com.br

BY Belarus → RU

CA HEIDENHAIN CORPORATION

Mississauga, Ontario L5T2N2, Canada
☎ +1 (905) 670-8900
E-Mail: info@heidenhain.com

CH HEIDENHAIN (SCHWEIZ) AG

8603 Schwerzenbach, Switzerland
☎ +41 (44) 8062727
E-Mail: verkauf@heidenhain.ch

CN HEIDENHAIN (TIANJIN) OPTICS & ELECTRONICS CO., LTD

Beijing 101312, China
☎ +86 10-80420000
E-Mail: sales@heidenhain.com.cn

CS Serbia and Montenegro → BG

CZ HEIDENHAIN s.r.o.

106 00 Praha 10, Czech Republic
☎ +420 272658131
E-Mail: heidenhain@heidenhain.cz

DK TP TEKNIK A/S

2670 Greve, Denmark
☎ +45 (70) 100966
E-Mail: tp-gruppen@tp-gruppen.dk

ES FARRESA ELECTRONICA S.A.

08028 Barcelona, Spain
☎ +34 934092491
E-Mail: farresa@farresa.es

FI HEIDENHAIN Scandinavia AB

02770 Espoo, Finland
☎ +358 (9) 8676476
E-Mail: info@heidenhain.fi

FR HEIDENHAIN FRANCE sarl

92310 Sèvres, France
☎ +33 01 41 143000
E-Mail: info@heidenhain.fr

GB HEIDENHAIN (G.B.) Limited

Burgess Hill RH15 9RD, United Kingdom
☎ +44 (1444) 247711
E-Mail: sales@heidenhain.co.uk

GR MB Milionis Vassilis

17341 Athens, Greece
☎ +30 (210) 9336607
E-Mail: bmilioni@otenet.gr

HK HEIDENHAIN LTD

Kowloon, Hong Kong
☎ +852 27591920
E-Mail: service@heidenhain.com.hk

HR Croatia → SL

HU HEIDENHAIN Kereskedelmi Képviselet

1239 Budapest, Hungary
☎ +36 (1) 4210952
E-Mail: info@heidenhain.hu

ID PT Servitama Era Toolsindo

Jakarta 13930, Indonesia
☎ +62 (21) 46834111
E-Mail: ptset@group.gts.co.id

IL NEUMO VARGUS MARKETING LTD.

Tel Aviv 61570, Israel
☎ +972 (3) 5373275
E-Mail: neumo@neumo-vargus.co.il

IN ASHOK & LAL

Chennai – 600 030, India
☎ +91 (44) 26151289
E-Mail: ashoklal@satyam.net.in

IT HEIDENHAIN ITALIANA S.r.l.

20128 Milano, Italy
☎ +39 02270751
E-Mail: info@heidenhain.it

JP HEIDENHAIN K.K.

Tokyo 102-0073, Japan
☎ +81 (3) 3234-7781
E-Mail: sales@heidenhain.co.jp

KR HEIDENHAIN LTD.

Suwon, South Korea, 443-810
☎ +82 (31) 2011511
E-Mail: info@heidenhain.co.kr

MK Macedonia → BG

MX HEIDENHAIN CORPORATION MEXICO

20235 Aguascalientes, Ags., Mexico
☎ +52 (449) 9130870
E-Mail: info@heidenhain.com

MY ISOSERVE Sdn. Bhd

56100 Kuala Lumpur, Malaysia
☎ +60 (3) 91320685
E-Mail: isoserve@po.jaring.my

NL HEIDENHAIN NEDERLAND B.V.

6716 BM Ede, Netherlands
☎ +31 (318) 581800
E-Mail: verkoop@heidenhain.nl

NO HEIDENHAIN Scandinavia AB

7300 Orkanger, Norway
☎ +47 72480048
E-Mail: info@heidenhain.no

PH Machinebanks Corporation

Quezon City, Philippines 1113
☎ +63 (2) 7113751
E-Mail: info@machinebanks.com

PL APS

02-473 Warszawa, Poland
☎ +48 228639737
E-Mail: aps@apserwis.com.pl

PT FARRESA ELECTRÓNICA, LDA.

4470 - 177 Maia, Portugal
☎ +351 229478140
E-Mail: fep@farresa.pt

RO Romania → HU

RU Gertner Service GmbH

113035 Moskau, Russian Federation
☎ +7 (495) 931-9645
E-Mail: heidenhain@gertnergrou.de

SE HEIDENHAIN Scandinavia AB

12739 Skärholmen, Sweden
☎ +46 (8) 53193350
E-Mail: sales@heidenhain.se

SG HEIDENHAIN PACIFIC PTE LTD.

Singapore 408593,
☎ +65 6749-3238
E-Mail: info@heidenhain.com.sg

SK Slovakia → CZ

SL Posredništvo HEIDENHAIN SAŠO HÜBL s.p.

2000 Maribor, Slovenia
☎ +386 (2) 4297216
E-Mail: hubl@siol.net

TH HEIDENHAIN (THAILAND) LTD

Bangkok 10250, Thailand
☎ +66 (2) 398-4147-8
E-Mail: info@heidenhain.co.th

TR T&M Mühendislik Mümesillik

34728 Erenköy-Istanbul, Turkey
☎ +90 (216) 3022345
E-Mail: info@tmmuhendislik.com

TW HEIDENHAIN Co., Ltd.

Taichung 407, Taiwan
☎ +886 (4) 23588977
E-Mail: info@heidenhain.com.tw

UA Ukraine → RU

US HEIDENHAIN CORPORATION

Schaumburg, IL 60173-5337, USA
☎ +1 (847) 490-1191
E-Mail: info@heidenhain.com

VE Maquinaria Diekmann S.A.

Caracas, 1040-A, Venezuela
☎ +58 (212) 6325410
E-Mail: purchase@diekmann.com.ve

VN AMS Advanced Manufacturing Solutions Pte Ltd

HCM City, Viêt Nam
☎ +84 (8) 9123658 - 8352490
E-Mail: davidgoh@amsvn.com

ZA MAFEMA SALES SERVICES C.C.

Midrand 1685, South Africa
☎ +27 (11) 3144416
E-Mail: mailbox@mafema.co.za

