

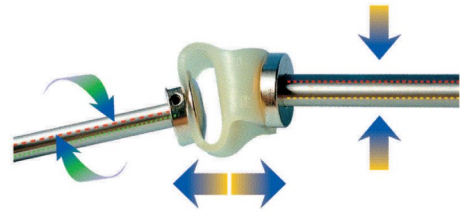
SFC Series

Micro Flexible Coupling

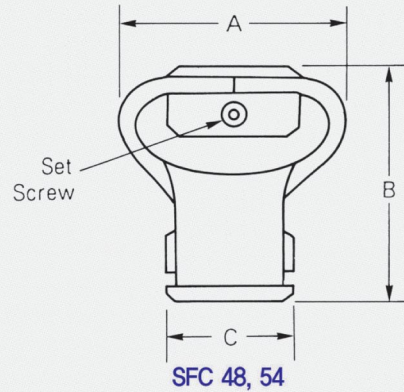
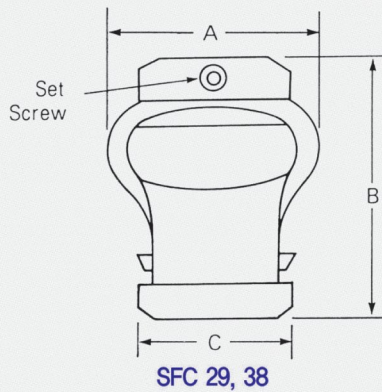


Features

- Absorb large amplitude, eccentricity and end play simultaneously
- Absorb shock and vibration perfectly
- No lubrication and low inertia moment



Standards & Performance



Product Number	DIMENSION(mm)(±0.3)			mass (g)	Max · RPM (min ⁻¹)	Max Torque (N · m)	Angle (°)	Parallel (mm)	End-Play (mm)
	A	B	C						
SFC 29	29	28	18	19	3,000	0.35	10	2	1.5
SFC 38	38	35	22.5	38	3,000	1.35	10	2.5	2
SFC 48	48	50	26	60	3,000	1.8	12	2.5	2
SFC 54	54	58	29.5	140	3,000	4.5	12	3	2

Standard Inner diameter

Product Number	(d ₁ , d ₂) Standard INNER Diameter (mm)									
	4	5	6	8	10	12	14	15	16	
SFC 29	●	●	●	●	●					
SFC 38			●	●	●	●				
SFC 48				●	●	●	●			
SFC 54					●	●	●	●	●	

Please contact us when you order the product without standard inner diameter

How to order product

SFC – 29

φ 6

×

φ 8

Product No.

Shaft Dia

Shaft Dia

※ Please, specify the diameters of both shaft ends in the order form.