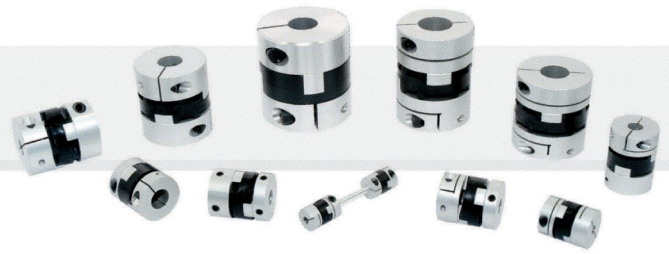


S0H Series

Zero Backlash Oldham Coupling

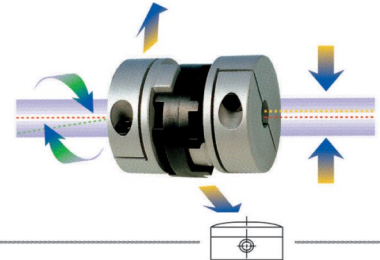


The major characteristic of OLDHAM COUPLING is that it provides exceptional flexibility and wide range of parallel and misalignment acceptability. Since there is no restoring force, there is little weight on bearing. Please, do not confuse with jaw coupling which are operated by different principle. Torque is transferred through disk that is capable of accepting misalignment error and mechanical intermittence. Replacement of disk is easy without disassembling hub from the shaft.

Features

- Flexible movement - little weight on bearing
- High torsion rigidity
- Superior performance toward parallel, angular and misalignment
- Free from electro-magnetism
- Low inertia
- Easy assembly
- Electricity insulation effect

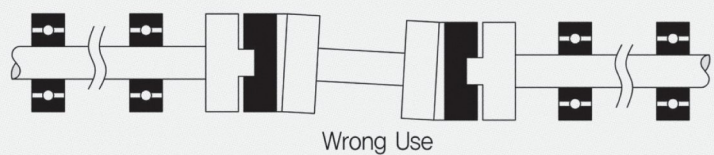
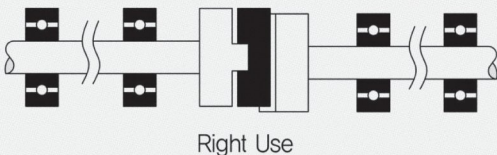
* Registration of Design 152625
* Patent on a New Device 12128



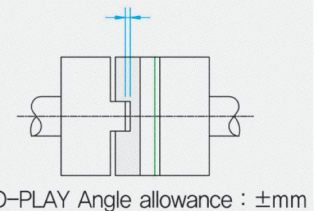
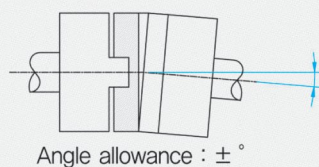
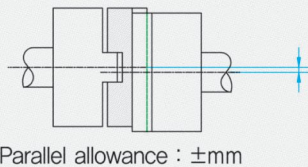
<p>The past coupling</p>	<p>SUNGIL COUPLING</p>	<p>Micro rounding in the Hub accepts angular movement and lessen the load of shaft. Conventional OLDHAM coupling occurs bending moment in outer diameter for angular use. Therefore, it allows a little angular movement. SUNG IL OLDHAM coupling featuring micro rounding in the hub is designed for the angular disposition occurring in the center part. In consequence, angular allowance, lessen the shaft load transfer full torque.</p>
--------------------------	------------------------	--

Proper installation of OLDHAM COUPLING

- ❑ Cascade layout should be avoided and proper bearing support is necessary.
- ❑ OLDHAM coupling is not adequate for connecting moving shafts or used in pair.



Misalignment



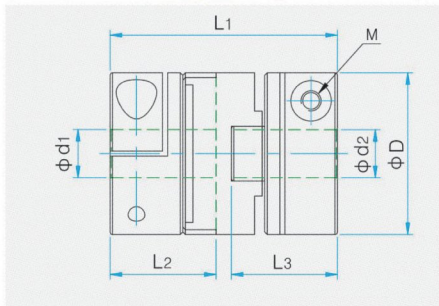
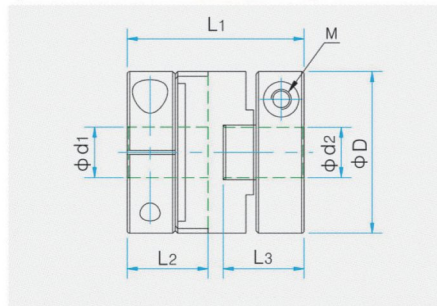
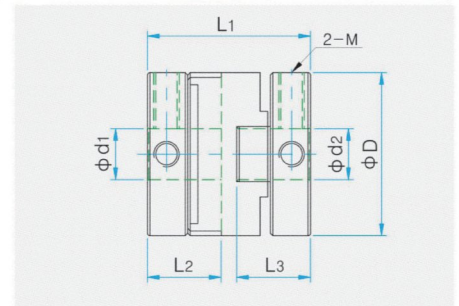
Application

- X-Y Position Table
- Good for small sized motor like AC motor, DC motor, Servo motor, Tacho generator and so forth
- Hydraulic distribution system and optical system
- Ventilation equipment, environmental equipment, encoder and small pump
- Paper, disk, tape transporting device

Structure & Material



SOH Series Zero Backlash Oldham Coupling

SOH - ■ ■ C (CLAMP TYPE)

SOHM - ■ ■ C (CLAMP TYPE)

SOH - ■ ■ (SET SCREW TYPE)


Standards & Performance

Product Number	DIMENSION(mm)(±0.3)				Bolt M	mass (g)	Max Torque (N·m)	Rated Torque (N·m)	Torsional Stiffness (N·m/rad)	Moment of inertia (kg·m ²)	Max·RPM (min ⁻¹)	Errors of Misalignment		
	D	L1	L2	L3								Angle(°)	Parallel(mm)	End-Play(mm)
SOH-16C	16	23.6	11	11	M2.6	10	2	1	65	3.7 × 10 ⁻⁷	8,000	2	1	0.1
SOH-20C	20	25.5	11.8	11.8	M2.6	16	3	1.5	120	9.3 × 10 ⁻⁷	7,000	2	1.5	0.1
SOH-25C	25.5	32	14.8	14.8	M3	34	5	2.5	200	3.3 × 10 ⁻⁶	6,000	2	2	0.1
SOH-32C	32	45	21	21	M4	80	14	7	620	1.3 × 10 ⁻⁵	4,800	2	2.5	0.2
SOH-43C	43	52	24	24	M5	160	30	15	1,200	4.3 × 10 ⁻⁵	4,000	2	3.0	0.2
SOH-53C	53	58	27	27	M5	252	50	25	1,400	1.0 × 10 ⁻⁴	3,400	2	3.2	0.2
SOH-57C	57	77	36.5	36.5	M6	390	72	36	2,600	1.8 × 10 ⁻⁴	3,200	2	3.5	0.2
SOHM-16C	16	21	9.5	9.5	M2.6	9	2	1	65	3.2 × 10 ⁻⁷	8,000	2	1	0.1
SOHM-20C	20	22.5	10	10	M2.6	14	3	1.5	120	8.2 × 10 ⁻⁷	7,000	2	1.5	0.1
SOHM-25C	25.5	27	12	12	M3	27	5	2.5	200	2.6 × 10 ⁻⁶	6,000	2	2	0.1
SOHM-32C	32	35	16	16	M4	52	14	7	620	8.3 × 10 ⁻⁶	4,800	2	2.5	0.2
SOHM-43C	43	47	21.2	21.2	M5	132	30	15	1,200	2.0 × 10 ⁻⁵	4,000	2	3.0	0.2
SOHM-53C	53	53	24.3	24.3	M5	235	50	25	1,400	9.6 × 10 ⁻⁵	3,400	2	3.2	0.2
SOHM-57C	57	56	26.7	26.7	M6	250	72	36	2,600	1.3 × 10 ⁻⁴	3,200	2	3.5	0.2
SOHM-70C	73	77	37	37	M8	450	130	65	4,800	4.5 × 10 ⁻⁴	3,000	2	3.5	0.2
SOH-16	16	18	8	8	M3	7	2	1	65	2.4 × 10 ⁻⁷	8,000	2	1	0.1
SOH-20	20	20	8.9	8.9	M4	14	3	1.5	120	8.1 × 10 ⁻⁷	7,000	2	1.5	0.1
SOH-25	25.5	25.5	11.6	11.6	M4	20	5	2.5	200	1.8 × 10 ⁻⁶	6,000	2	2	0.1
SOH-32	32	32	14.5	14.5	M5	48	14	7	620	6.7 × 10 ⁻⁶	4,800	2	2.5	0.2
SOH-43	43	52	24	24	M5	160	30	15	1,200	3.9 × 10 ⁻⁵	4,000	2	3.0	0.2
SOH-53	53	58	27	27	M6	252	50	25	1,400	1.0 × 10 ⁻⁴	3,400	2	3.2	0.2
SOH-57	57	77	36.5	36.5	M8	390	72	36	2,600	1.8 × 10 ⁻⁴	3,200	2	3.5	0.2
SOH-70	73	77	37	37	M8	450	130	65	4,800	4.5 × 10 ⁻⁴	3,000	2	3.5	0.2

There is just one bolt in SOH16, SOH20

How to order product

SOH - 57C
 $\phi 15$

×

 $\phi 25$

Product No.

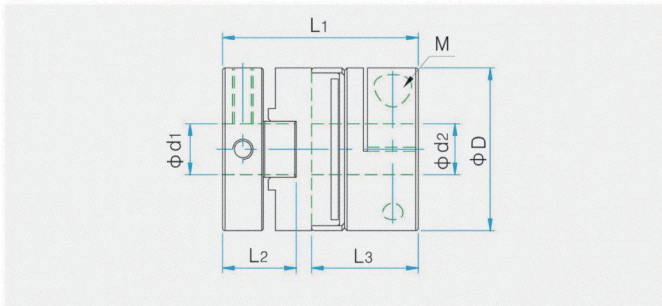
Shaft Dia

Shaft Dia

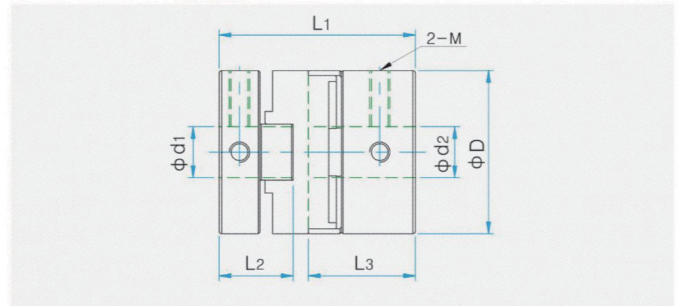
※ Please, specify the diameters c

SOH Series Zero Backlash Oldham Coupling

SOH - ■ ■ SC



SOH - ■ ■ S



Standards & Performance

Product Number	DIMENSION(mm)(±0.3)				Bolt M	mass (g)	Max Torque (N·m)	Rated Torque (N·m)	Torsional Stiffness (N·m/rad)	Moment of inertia (kg·m²)	Max·RPM (min ⁻¹)	Errors of Misalignment		
	D	L1	L2	L3								Angle(°)	Parallel(mm)	End-Play(mm)
SOH-16S	16	21	8	11	M3	12.7	2	1	65	2.7×10 ⁻⁷	8,000	2	1	0.1
SOH-20S	20	22.8	8.9	11.8	M4	16	3	1.5	120	9.0×10 ⁻⁷	7,000	2	1.5	0.1
SOH-25S	25.5	28.8	11.6	14.8	M4	19.1	5	2.5	200	2.6×10 ⁻⁶	6,000	2	2	0.1
SOH-32S	32	38.5	14.5	21	M5	22.2	14	7	620	1.1×10 ⁻⁵	4,800	2	2.5	0.2
SOH-16SC	16	21	8	11	M3	7.5	2	1	65	2.9×10 ⁻⁷	8,000	2	1	0.1
SOH-20SC	20	22.8	8.9	11.8	M4	15.5	3	1.5	120	9.0×10 ⁻⁷	7,000	2	1.5	0.1
SOH-25SC	25.5	28.8	11.6	14.8	M4	27	5	2.5	200	2.6×10 ⁻⁶	6,000	2	2	0.1
SOH-32SC	32	38.5	14.5	21	M5	70	14	7	620	1.1×10 ⁻⁵	4,800	2	2.5	0.2

Standard Inner diameter

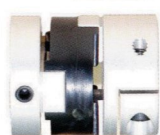
Product Number	(d1 d2) Standard INNER Diameter (mm)																								
	3	4	5	6	6.35	8	9.525	10	11	12	14	15	16	18	19	20	22	24	25	25.4	28	30	32	35	40
SOH-16	●	●	●	●																					
SOH-20		●	●	●	●	●																			
SOH-25			●	●	●	●	●	●																	
SOH-32				●	●	●	●	●	●	●	●	●													
SOH-43					●	●	●	●	●	●	●	●	●	●	●										
SOH-53							●	●	●	●	●	●	●	●	●	●	●	●	●	●	●	●	●	●	●
SOH-57												●	●	●	●	●	●	●	●	●	●	●	●	●	●
SOH-70													●	●	●	●	●	●	●	●	●	●	●	●	●
SOH-16C	●	●	●	●																					
SOH-20C		●	●	●	●	●																			
SOH-25C			●	●	●	●	●	●																	
SOH-32C				●	●	●	●	●	●	●	●	●													
SOH-43C					●	●	●	●	●	●	●	●	●	●	●										
SOH-53C							●	●	●	●	●	●	●	●	●	●	●	●	●	●	●	●	●	●	●
SOH-57C												●	●	●	●	●	●	●	●	●	●	●	●	●	●
SOHM-70C													●	●	●	●	●	●	●	●	●	●	●	●	●

- ☑ INNER diameter INCH type is also available.
- ☑ The inner diameter of SOH-□□S and SOH-□□SC is same with above table
- ☑ The inner diameter of SOH-□□C and SOHM-□□C is same
- ☑ Non standard inner diameter product is also available
- ☑ KEY TYPE is also available

SOH - ■ ■



SOH - ■ ■ SC



SOH - ■ ■ S

