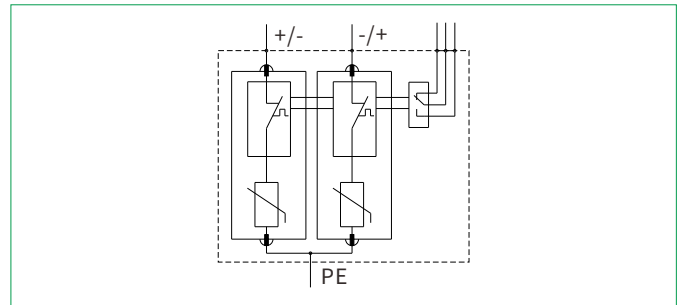
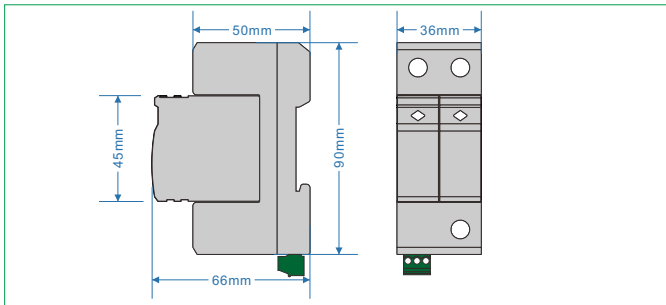


FV20C/2 - ***PV (S)



- ◆ DC surge protective device used for photovoltaic system.
- ◆ The core parts are metal oxide vistor components with high discharge capacity.
- ◆ With Reliable control thanks to Thermo Dynamic Control disconnecter.
- ◆ Remote signaling contact for control device optional.
- ◆ Fault indication via red mark in the inspection window.
- ◆ Type 2/ Class C.
- ◆ 2 poles, U type.



| Model No. | FV20C/2-48PV (S) | FV20C/2-96PV (S) | FV20C/2-500PV (S) | FV20C/2-600PV (S) | FV20C/2-800PV (S) | FV20C/2-1000PV (S) |
|---|--|------------------|-------------------|-------------------|-------------------|--------------------|
| Test class IEC/EN/VDE | Class II/C/ <u>IT2</u> | | | | | |
| Type of Network | Photovoltaic system | | | | | |
| Protection Mode | +/- — PE 、 -/+ — PE | | | | | |
| Nominal voltage 50(60)Hz U _n | 48V dc | 96V dc | 500V dc | 600V dc | 800V dc | 1000V dc |
| Rated Voltage (Max. Cont. Operating Voltage) U _{CPV} | 75V dc | 125V dc | 560V dc | 670V dc | 825V dc | 1060V dc |
| Max. discharge current (8/20μs) I _{max} | 40kA | | | | | |
| Nominal discharge current (8/20μs) I _n | 20kA | | | | | |
| Voltage protective level U _p | ≤0.6kV | ≤0.8kV | ≤1.8kV | ≤2.4kV | ≤3.0kV | ≤3.6kV |
| Response time t _A | ≤25ns | | | | | |
| Recommended back-up fuse | 125A | | | | | |
| Isolation resistance | >10 ² MΩ | | | | | |
| I/O Connections | Multi core wire: 4mm ² ~25mm ² | | | | | |
| Mounting | 35mm Symmetrical rail (EN50022/DIN46277-3) | | | | | |
| Operation temperature range / humidity / altitude | -40°C~+80°C / 30%~90% / 3000m | | | | | |
| Degree of protection | IP20 | | | | | |
| Housing material | UL94 V-0 | | | | | |
| Disconnection indicator | Mechanical indicator (Green: OK, Red: replace) | | | | | |
| Remote control contact | Optional | | | | | |

| Port definition of remote control contact | Range of signal access | | Recommended wire specification | |
|---|------------------------|-------------------------|--------------------------------|--------------------------|
| | AC | U _{max} ≤ 250V | Single core wire | Max ≤ 1.3mm ² |
| | | I _{max} ≤ 0.5A | | |
| | DC | U _{max} ≤ 60V | Multi core wire | Max ≤ 1.3mm ² |
| | | I _{max} ≤ 0.1A | | |

Remark: if the model number is without "S", the model is without remote control contact function