

KBP200 - KBP210

PRV : 50 - 1000 Volts

I_o : 2.0 Amperes

Features

- High case dielectric strength
- High surge current capability
- High reliability
- Low reverse current
- Low forward voltage drop
- Ideal for printed circuit board
- RoHS compliant package

Mechanical Data

- Case : Molded plastic
- Epoxy : UL94V-O rate flame retardant
- Terminals : Plated lead solderable per MIL-STD-202,

Method 208 guaranteed

- Polarity : Polarity symbols marked on case
- Mounting position : Any
- Weight : 3.4 grams

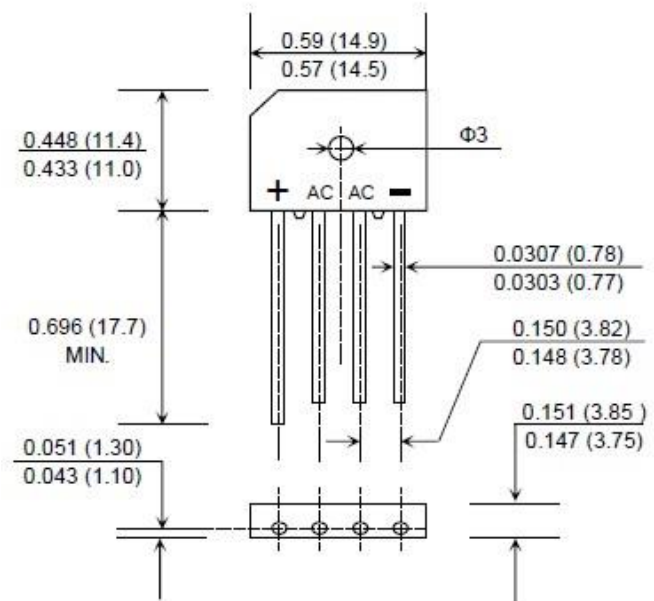
Package type : KBP

Packing & Order Information

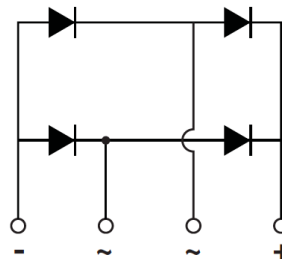
500/Box



RoHS
COMPLIANT



Graphic symbol



MAXIMUM RATINGS AND ELECTRICAL CHARACTERISTICS

Rating at 25 °C ambient temperature unless otherwise specific.

Single phase, half wave, 60 Hz, resistive or inductive load

For capacitive load, derate current by 20%

Rating	Symbol	KBP 200	KBP 201	KBP 202	KBP 204	KBP 206	KBP 208	KBP 210	Unit
Maximum Recurrent Peak Reverse Voltage	V _{RRM}	50	100	200	400	600	800	1000	V
Maximum RMS Voltage	V _{RMS}	35	70	140	280	420	560	700	V
Maximum DC Blocking Voltage	V _{DC}	50	100	200	400	600	800	1000	V
Maximum Average Forward Current T _c = 50°C	I _{F(AV)}	2.0							A
Rating for fusing (t < 8.3 ms.)	I ² t	10							A ² S
Typical Thermal Resistance (Note 2)	R _{θJA}	30							°C/W

KBP200 - KBP210

PRV : 50 - 1000 Volts

Io : 2.0 Amperes

Rating at 25 °C ambient temperature unless otherwise specific.

Single phase, half wave, 60 Hz, resistive or inductive load

For capacitive load, derate current by 20%

Rating	Symbol	KBP 200	KBP 201	KBP 202	KBP 204	KBP 206	KBP 208	KBP 210	Unit
Peak Forward Surge Current, Single half sine wave Superimposed on rated load (JEDEC Method)	I _{FSM}				60				V
Maximum Forward Voltage per Diode at F = 1.0 A	V _F				1.0				V
Maximum DC Reverse Current Ta = 25°C	I _R				10				V
at Rated DC Blocking Voltage Ta = 100°C	I _{R(H)}				1.0				A
Typical Junction Capacitance per Diode (Note 1)	C _J				24				pF
Operating junction temperature range	T _J				-55 to +125				°C
Storage temperature range	T _{STG}				-55 to +125				°C

Notes

(1) Measured at 1.0 MHz and applied reverse voltage of 4.0 Volts.

(2) Thermal resistance from Junction to Ambient with units mounted on a 0.47" X 0.47" (12mm X 12mm) Cu. Pads.

KBP200 - KBP210

PRV : 50 - 1000 Volts

Io : 2.0 Amperes

■ RATING AND CHARACTERISTIC CURVES (KBP200 - KBP210)

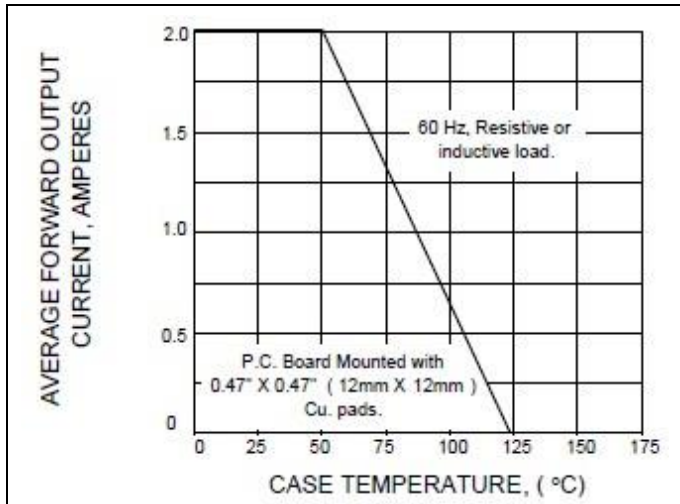


FIG.1 - DERATING CURVE FOR OUTPUT RECTIFIED CURRENT

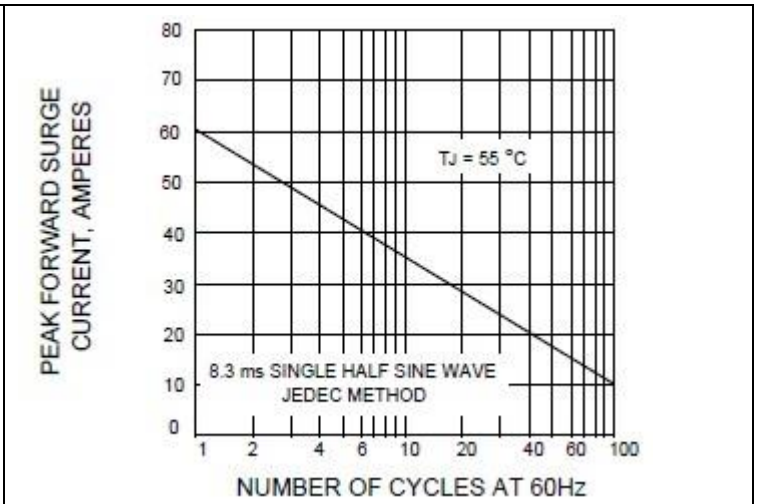


FIG.2 - MAXIMUM NON-REPETITIVE PEAK FORWARD SURGE CURRENT

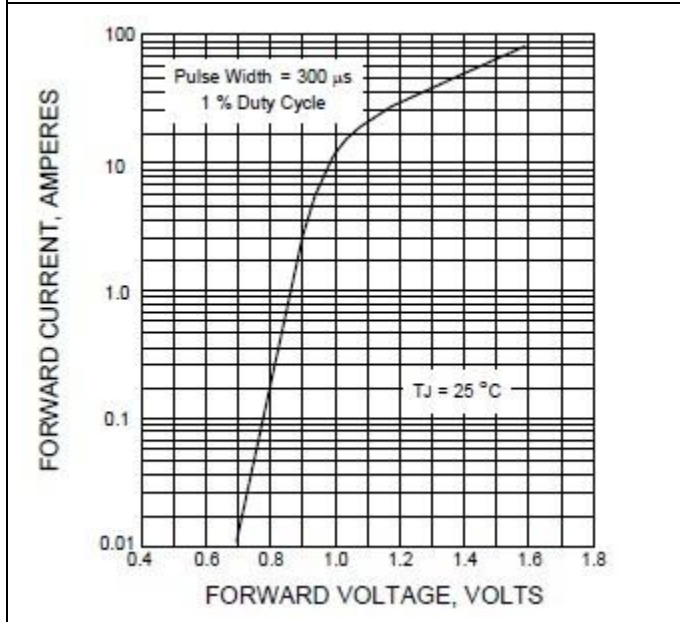


FIG.3 - TYPICAL FORWARD CHARACTERISTICS PER DIODE

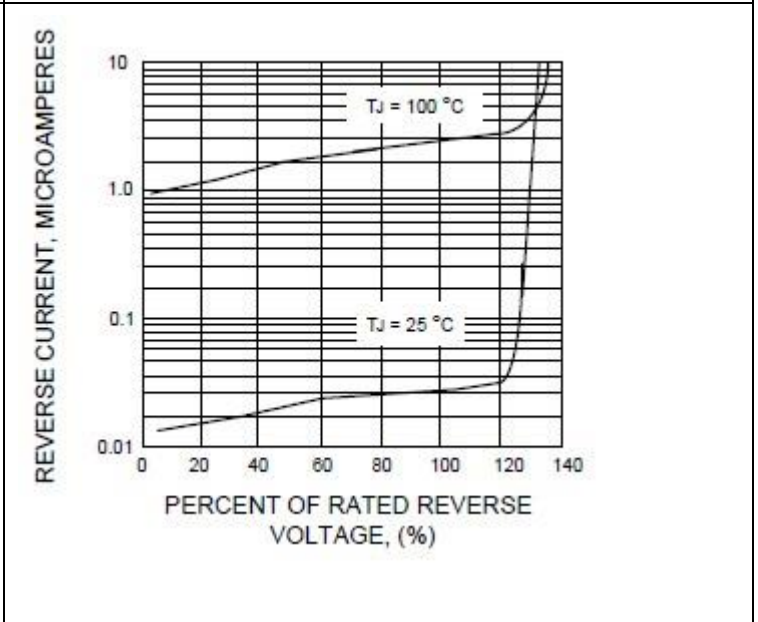


FIG.4 - TYPICAL REVERSE CHARACTERISTICS

KBP200 - KBP210

PRV : 50 - 1000 Volts

Io : 2.0 Amperes

Disclaimer

ALL PRODUCT, PRODUCT SPECIFICATIONS AND DATA ARE SUBJECT TO CHANGE

WITHOUT NOTICE TO IMPROVE RELIABILITY, FUNCTION OR DESIGN OR OTHERWISE.

Bruckewell Technology Inc., its affiliates, agents, and employees, and all persons acting on its or their behalf (collectively, "Bruckewell"), disclaim any and all liability for any errors, inaccuracies or incompleteness contained in any datasheet or in any other disclosure relating to any product.

Bruckewell makes no warranty, representation or guarantee regarding the suitability of the products for any particular purpose or the continuing production of any product. To the maximum extent permitted by applicable law, Bruckewell disclaims

- (i) Any and all liability arising out of the application or use of any product.
- (ii) Any and all liability, including without limitation special, consequential or incidental damages.
- (iii) Any and all implied warranties, including warranties of fitness for particular purpose, non-infringement and merchantability.

Statements regarding the suitability of products for certain types of applications are based on Bruckewell's knowledge of typical requirements that are often placed on Bruckewell products in generic applications.

Such statements are not binding statements about the suitability of products for a particular application. It is the customer's responsibility to validate that a particular product with the properties described in the product specification is suitable for use in a particular application. Parameters provided in datasheets and/or specifications may vary in different applications and performance may vary over time.

Product specifications do not expand or otherwise modify Bruckewell's terms and conditions of purchase, including but not limited to the warranty expressed therein.