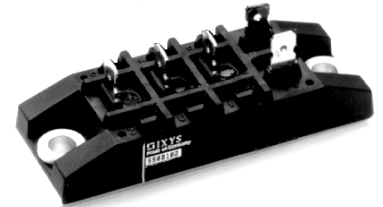
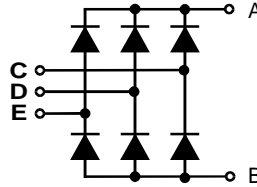


# Three Phase Rectifier Bridge

**$I_{dAV} = 100 \text{ A}$**   
 **$V_{RRM} = 800-1600 \text{ V}$**

Preliminary data

$V_{RSM}$ V	$V_{RRM}$ V	Types
800	800	VUO 100-08NO7
1200	1200	VUO 100-12NO7
1400	1400	VUO 100-14NO7
1600	1600	VUO 100-16NO7



Symbol	Test Conditions	Maximum Ratings
$I_{dAV}$ ①	$T_C = 100^\circ\text{C}$ , module	100 A
$I_{FSM}$	$T_{VJ} = 45^\circ\text{C}$ ; $V_R = 0$	t = 10 ms (50 Hz), sine 1000 A
		t = 8.3 ms (60 Hz), sine 1100 A
	$T_{VJ} = T_{VJM}$ $V_R = 0$	t = 10 ms (50 Hz), sine 700 A
		t = 8.3 ms (60 Hz), sine 750 A
$I^2t$	$T_{VJ} = 45^\circ\text{C}$ $V_R = 0$	t = 10 ms (50 Hz), sine 5000 A <sup>2</sup> s
		t = 8.3 ms (60 Hz), sine 5020 A <sup>2</sup> s
	$T_{VJ} = T_{VJM}$ $V_R = 0$	t = 10 ms (50 Hz), sine 2450 A <sup>2</sup> s
		t = 8.3 ms (60 Hz), sine 2330 A <sup>2</sup> s
$T_{VJ}$		-40...+150 °C
$T_{VJM}$		150 °C
$T_{stg}$		-40...+125 °C
$V_{ISOL}$	50/60 Hz, RMS $I_{ISOL} \leq 1 \text{ mA}$	t = 1 min 2500 V~
		t = 1 s 3000 V~
$M_d$	Mounting torque (M5) (10-32 UNF)	5 ± 15 % Nm
		44 ± 15 % lb.in.
Weight	typ.	110 g

## Features

- Package with copper base plate
- Isolation voltage 3000 V~
- Planar passivated chips
- Low forward voltage drop
- ¼" fast-on power terminals

## Applications

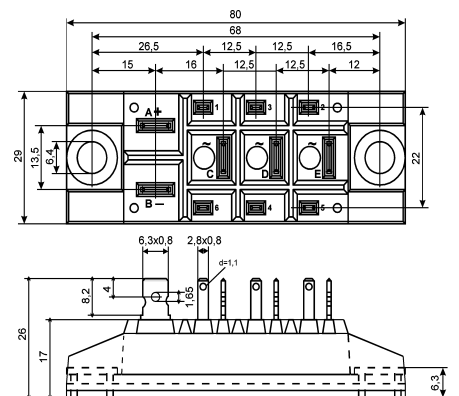
- Supplies for DC power equipment
- Input rectifiers for PWM inverter
- Battery DC power supplies
- Field supply for DC motors

## Advantages

- Easy to mount with two screws
- Space and weight savings
- Improved temperature and power cycling capability
- Small and light weight

Symbol	Test Conditions	Characteristic Values
$I_R$	$V_R = V_{RRM}$ ; $T_{VJ} = 25^\circ\text{C}$	≤ 0.5 mA
		$V_R = V_{RRM}$ ; $T_{VJ} = T_{VJM}$
$V_F$	$I_F = 150 \text{ A}$ ; $T_{VJ} = 25^\circ\text{C}$	≤ 1.4 V
$V_{T0}$	For power-loss calculations only	0.8 V
$r_T$		5 mΩ
$R_{thJC}$	per diode; DC current	per module 1.12 K/W
		per module 0.28 K/W
$R_{thJH}$	per diode; DC current	per module 1.5 K/W
		per module 0.375 K/W
$d_s$	Creeping distance on surface	16.1 mm
$d_A$	Creepage distance in air	7.5 mm
$a$	Max. allowable acceleration	50 m/s <sup>2</sup>

## Dimensions in mm (1 mm = 0.0394")



Data according to IEC 60747 refer to a single diode unless otherwise stated

① for resistive load at bridge output. IXYS reserves the right to change limits, test conditions and dimensions.