

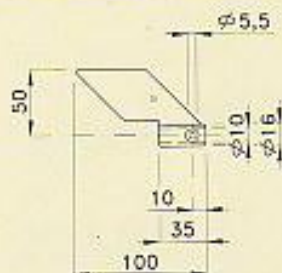
CAM LOGIC®

LEVEL GAUGES FOR POWDERS
AND GRAINED MATERIALS

VAST RANGE
LONG LASTING



AC1 - 1 VANE SCREW AVAILABLE IN 2 VERSIONS
STAINLESS STEEL - PVC MOUNTING WITH FLANGE OR SLEEVE

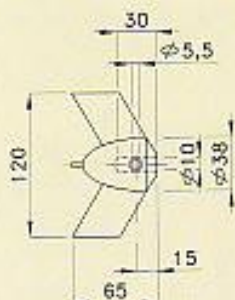


SCREWS

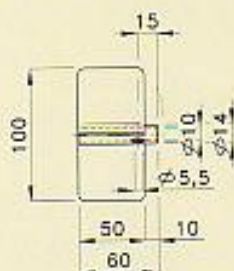
THAT COULD BE INSTALLED ON
PFG-05 AND PFG-57

TOTALLY INTERCHANGEABLE

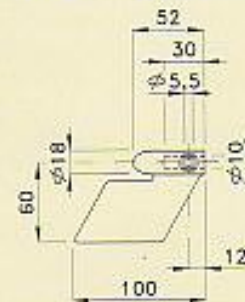
AC2 - 3 VANES PVC SCREW
MOUNTING WITH FLANGE



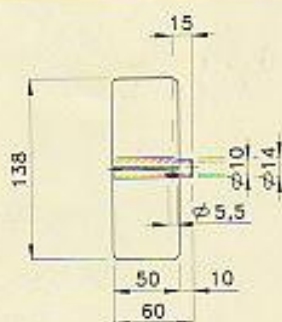
AC3 - 4 VANES STAINLESS STEEL SCREW
MOUNTING WITH FLANGE



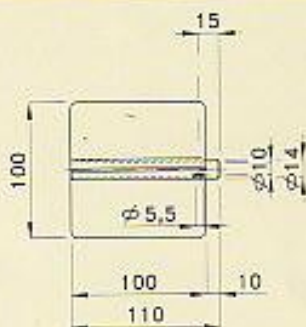
AC4 - 1 VANE SCREW AVAILABLE IN 2 VERSIONS
STAINLESS STEEL - PVC MOUNTING WITH FLANGE OR SLEEVE



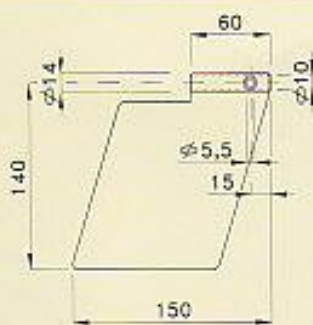
AC5 - 4 VANES STAINLESS STEEL SCREW
MOUNTING WITH FLANGE



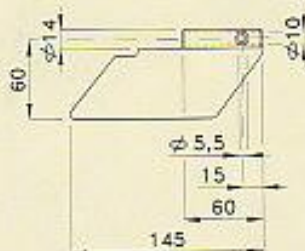
AC5/L - 4 VANES STAINLESS STEEL SCREW
MOUNTING WITH FLANGE



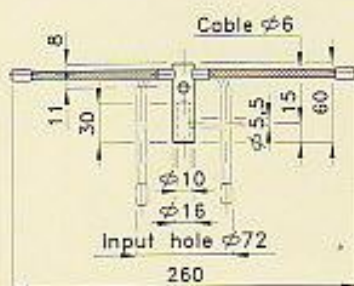
AC6 - 1 VANE STAINLESS STEEL SCREW
MOUNTING WITH FLANGE



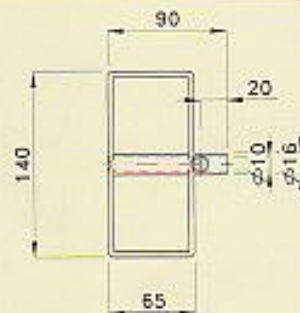
AC7 - 1 VANE STAINLESS STEEL SCREW
MOUNTING WITH FLANGE OR SLEEVE



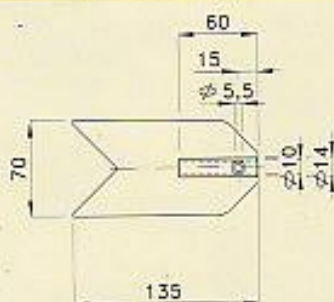
AC8 - 4 CABLES STAINLESS STEEL SCREW
MOUNTING WITH FLANGE OR SLEEVE



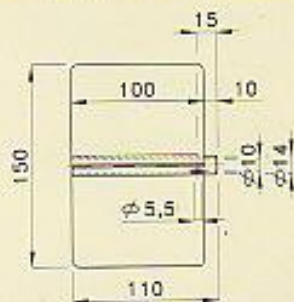
AC9 - 2 VANES SCREW AVAILABLE
IN 2 VERSIONS STAINLESS STEEL - PVC



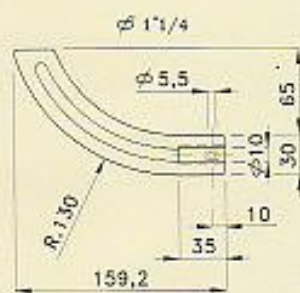
AC10 - 2 VANES STAINLESS STEEL SCREW
MOUNTING WITH SLEEVE



AC11 - 4 VANES STAINLESS STEEL SCREW
MOUNTING WITH FLANGE



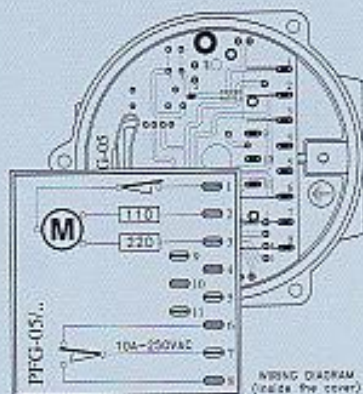
AC12 - 1 VANE STAINLESS STEEL SCREW
MOUNTING WITH SLEEVE



PFG-05

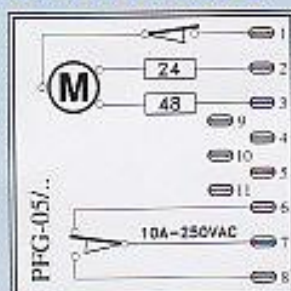
The bladed level gauge PFG-05 can be used in silos, for loading and unloading of grained and powders like feedstuff, flours, plastic grained, lime, chipboard and similar. Its installation can be lateral or at the top of the silo.

- Die-cast aluminium casing
- Stainless steel shaft on ball bearings, waterlight with permanent lubrication, with neoprene Corteco ring for dust seal.
- Ambient temperature range -20° to $+70^{\circ}$ C
- Motor absorption 4 W
- Maximum operational pressure 1,1 bar
- Envisaged power supplies: 110/220 V. 24/48 V. 50/60 Hz
- 24 V.d.c.
- Use contact capacity: 10 A. at 250 V.a.c.
- Output speed (screw shaft): 1,5 r.p.m.

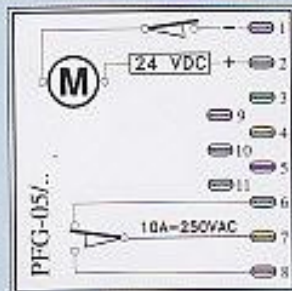


- 1 - Common power supply
- 2 - Power supply 110 V.a.c. 50/60 Hz
- 3 - Power supply 220 V.a.c. 50/60 Hz
- 6 - N.C. contact 10A/250 V.a.c.
- 7 - Common contacts
- 8 - N.O. contact 10A/250 V.a.c.

WIRINGS



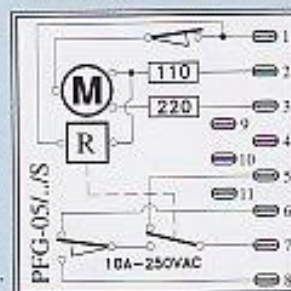
AC Power supply
NO/NC contact



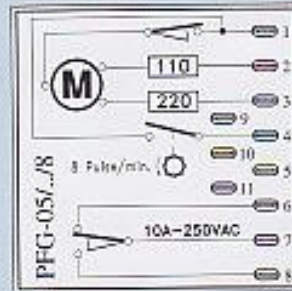
DC Power supply
NO/NC contact



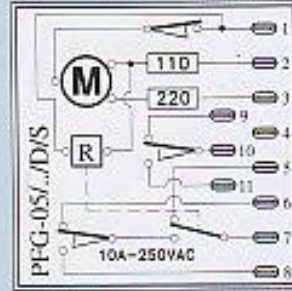
AC or DC Power supply
Double NO/NC contact



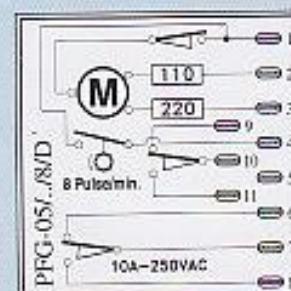
AC or DC Power supply
NO/NC contact
Voltage control on one power supply



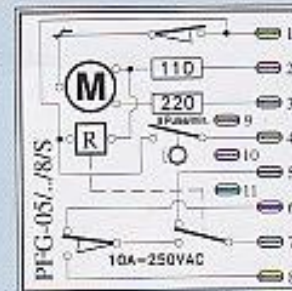
AC or DC Power supply
NO/NC contact
Control rotating shaft with
output 8 pulses/minute



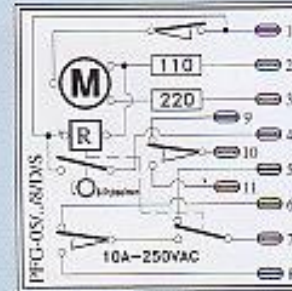
AC or DC Power supply
Double NO/NC contact
Voltage control on one power supply



AC or DC Power supply
Double NO/NC contact
Control rotating shaft with
output 8 pulses/minute



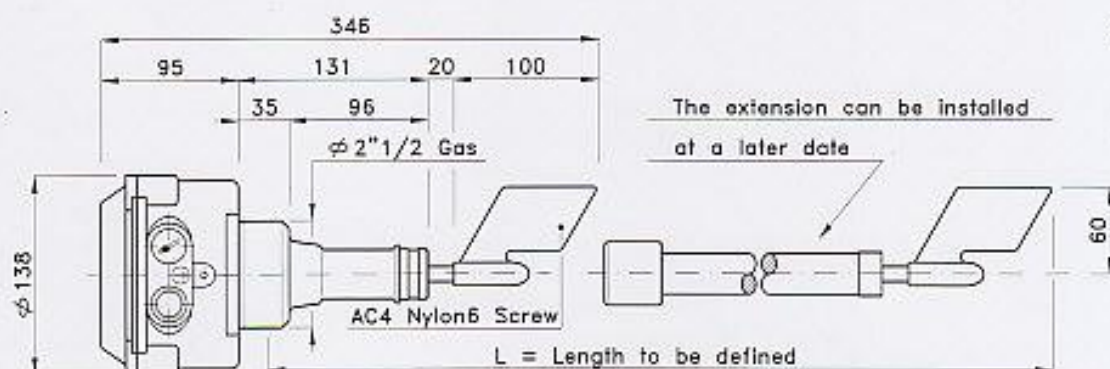
AC or DC Power supply
NO/NC contact
Control rotating shaft with
output 8 pulses/minute
Voltage control on one power supply



AC or DC Power supply
Double NO/NC contact
Control rotating shaft with
output 8 pulses/minute
Voltage control on one power supply

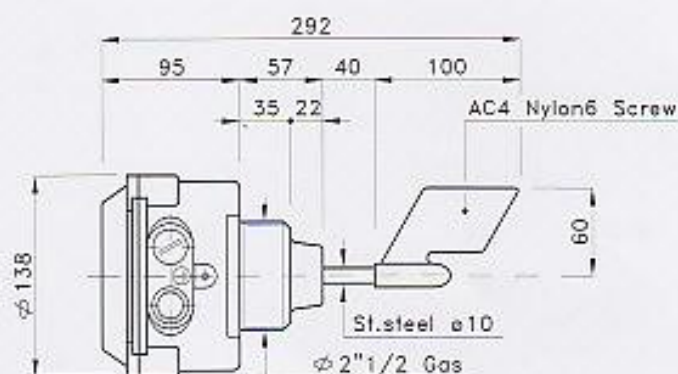
BLADED LEVEL GAUGES FOR POWDERS AND GRAINED

PFG-05



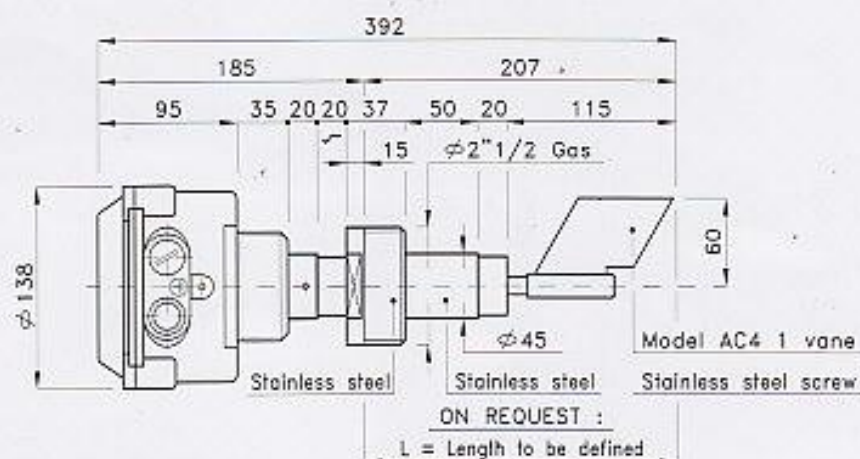
BLADED LEVEL GAUGE FOR POWDERS AND GRAINED WITH SHORT SHAFT

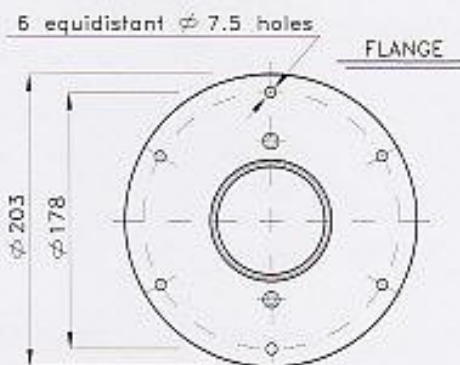
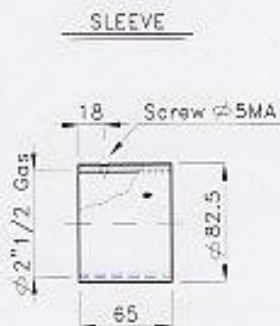
PFG-05/C



BLADED LEVEL GAUGES FOR HIGH TEMPERATURES - MAX. 200°C

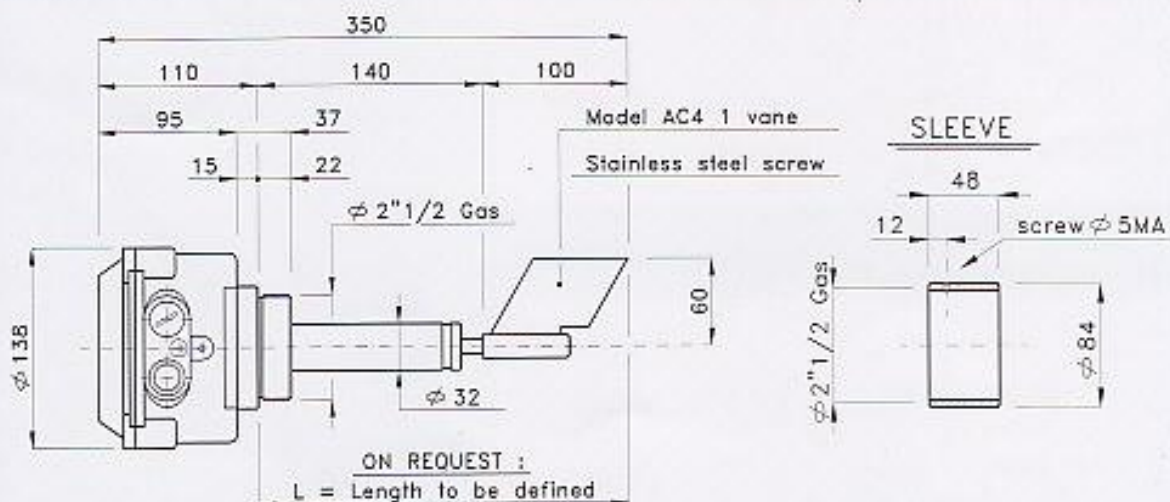
PFG-05/AT



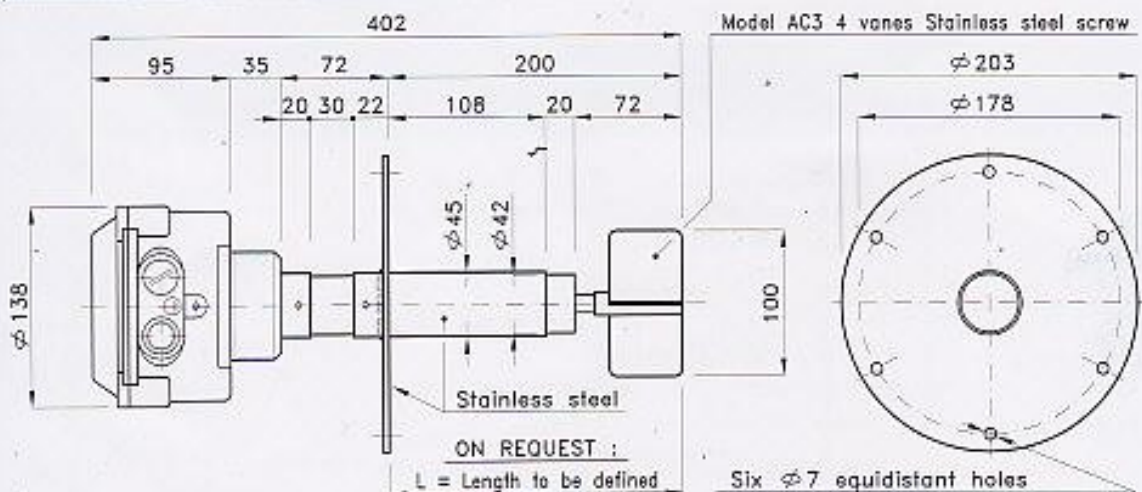


BLADED LEVEL GAUGES WITH PARTS IN CONTACT WITH THE PRODUCT IN STAINLESS STEEL AISI 304

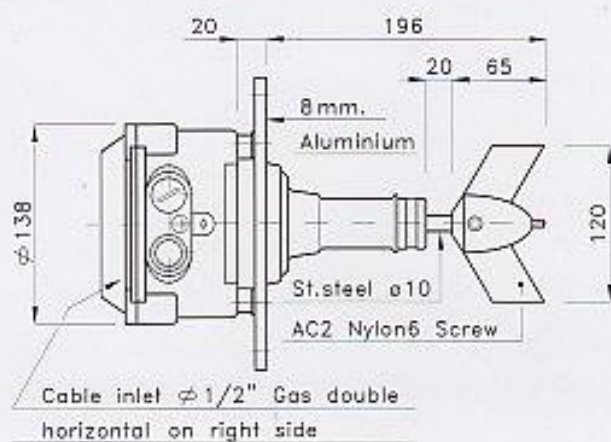
PFG-05/X



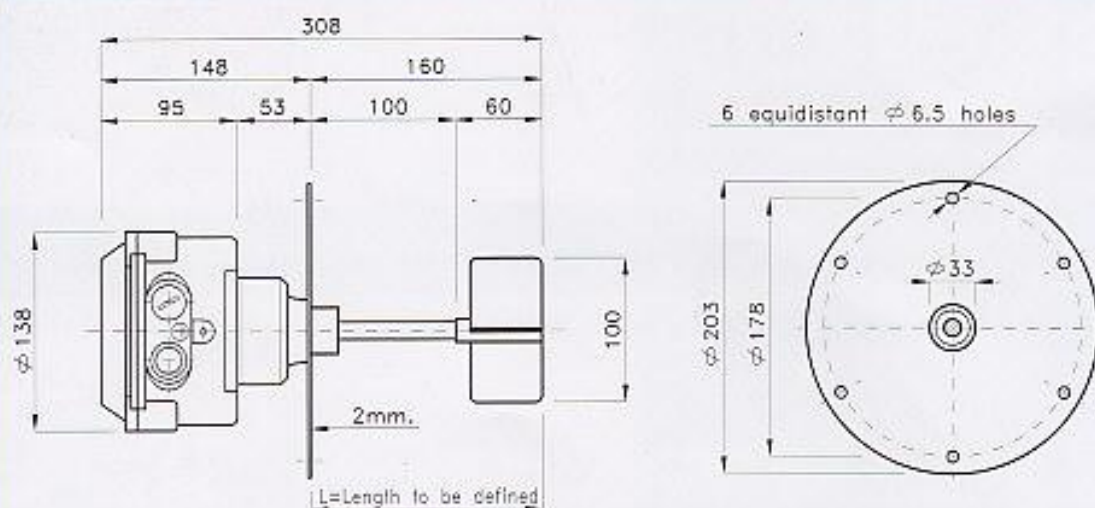
PFG-05/AT/F



PFG-05/F

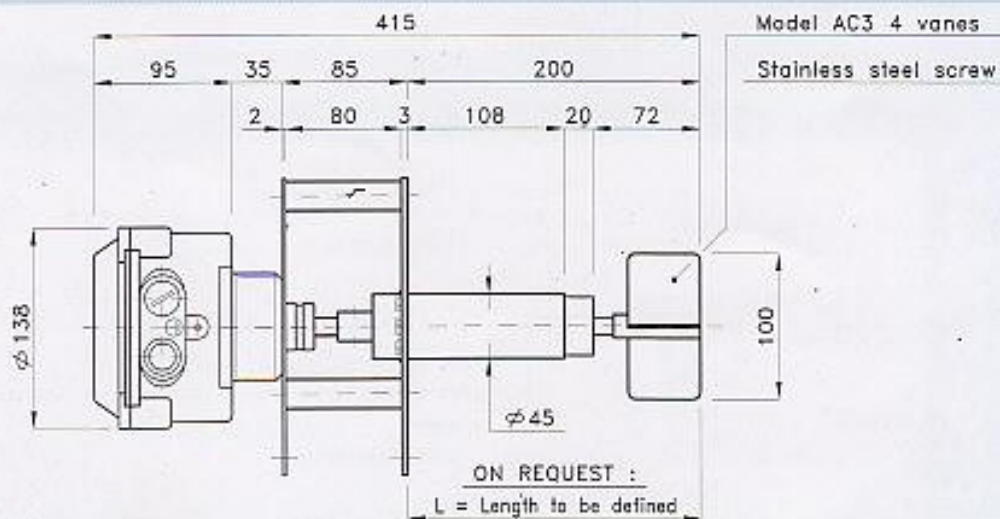


PFG-05/X/F



BLADED LEVEL GAUGE FOR HIGH TEMPERATURES - MAX. 200°C - AND STEAM

PFG-05/AT/F/V



PFG-57

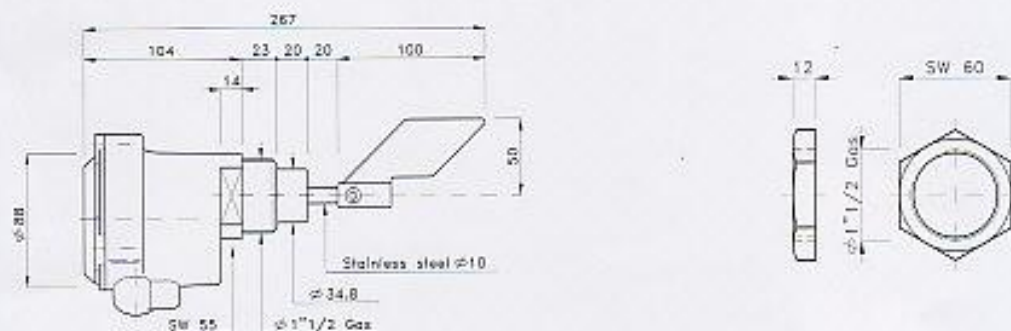
The bladed level gauge PFG-57 can be used in silos, for loading and unloading of grained and powders like feedstuff, flours, plastic grained, lime, chipboard and similar. Its installation can be lateral or at the top of the silo.

Thanks to its small size its particularly suitable to be installed on little tanks or dosing cells.

- Die-cast aluminium casing
- Stainless steel shaft on ball bearings, waterlight with permanent lubrication, with neoprene Corteco ring for dust seal.
- Ambient temperature range -20° to $+70^{\circ}$ C
- Motor absorption 4 W
- Maximum operational pressure 1,1 bar
- Envisaged power supplies: 110/220 V. 24/48 V. 50/60 Hz - 24 V.d.c.
- Use contact capacity: 5 A. at 250 V.a.c.
- Output speed (screw shaft): 1,5 r.p.m.~

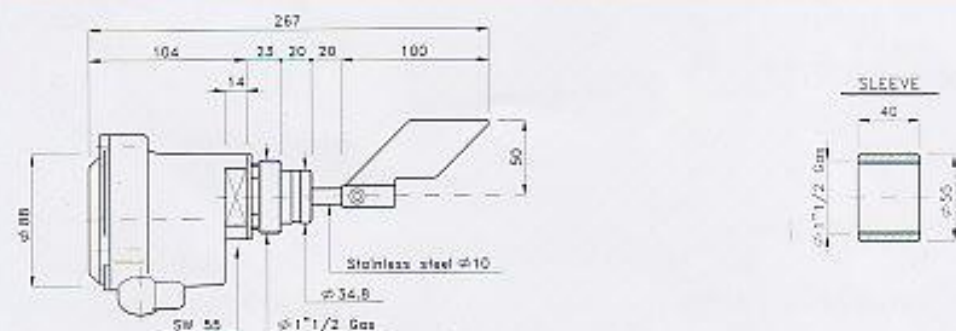
SMALL SIZE BLADED LEVEL GAUGE, SUITABLE TO BE INSTALLED ON LITTLE TANKS OR DOSING

PFG-57



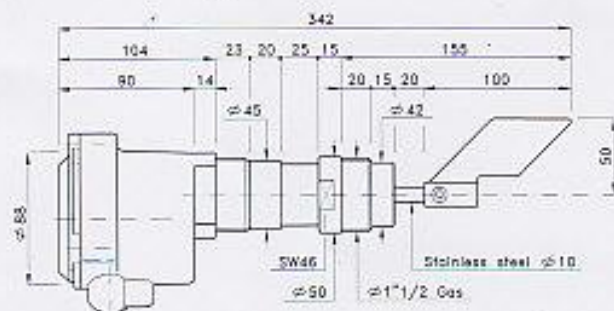
SMALL SIZE BLADED LEVEL GAUGE WITH PARTS IN CONTACT WITH THE PRODUCT IN STAINLESS

PFG-57/X



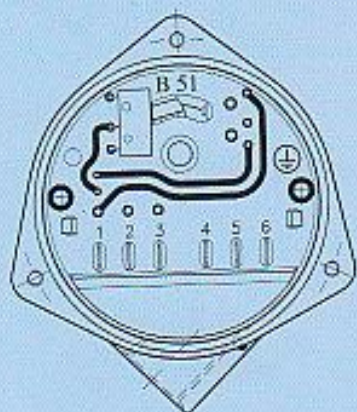
SMALL SIZE BLADED LEVEL GAUGE FOR HIGH TEMPERATURES - MAX. 200°C

PFG-57/AT

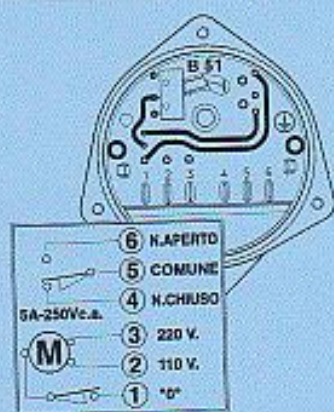


PFG-57/AT/F

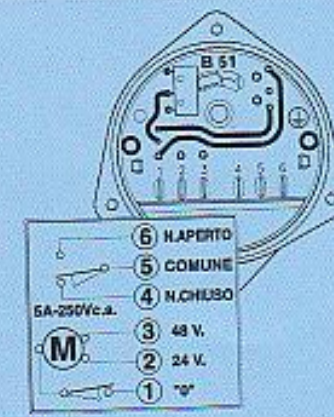
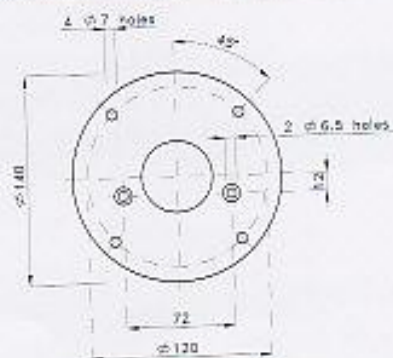
WIRINGS AND POWER SUPPLIES



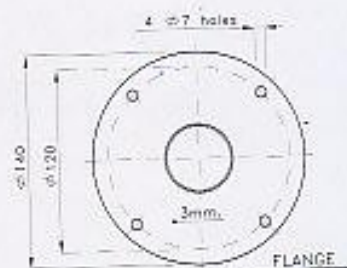
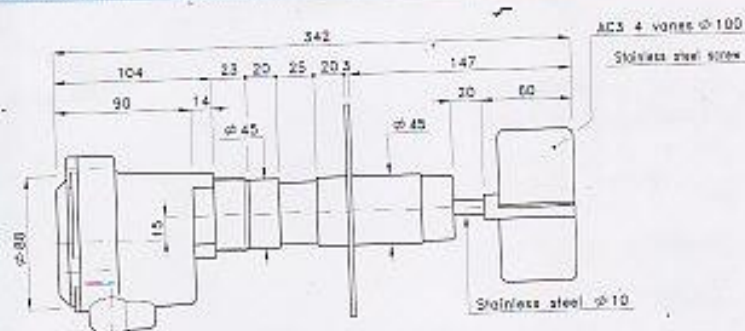
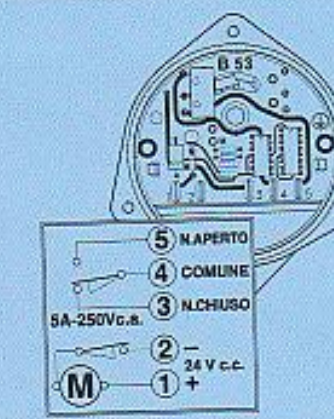
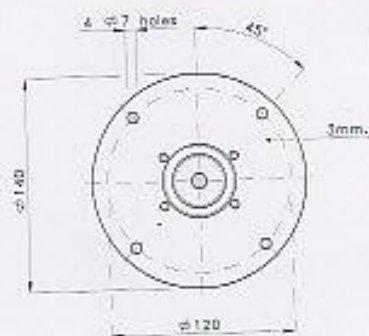
- 1 - Common power supply
- 2 - Power supply
110 V.a.c. 50/60 Hz
- 3 - Power supply
220 V.a.c. 50/60 Hz
- 4 - N.C. contact
5A/250 V.a.c.
- 5 - Common contacts
- 6 - N.O. contact
5A/250 V.a.c.



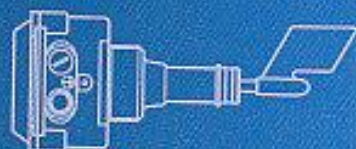
CELLS



STEEL AISI 304



CAM LOGIC®



CAMLOGIC S.n.c. has been in the industrial automation and control equipment sector since 1964. The experience gained through the years allowed us to become one of the most specialized firms in the field of bladed level gauges. Our instruments, thanks to their adaptability and high flexibility, can be used in many different industrial sectors such as: alimentary, building, zootechnical, mining, chemical-pharmaceutical and any field that includes storage of powders and grained materials in general.

CAMLOGIC produces its instruments taking care of design, production, servicing and sales, using the best technologies and partnerships in order to be able to answer at the right time and with efficiency to the requests of the market. The non-stop research of customers' satisfaction allows us to develop a reliable, high quality and long lasting product, keeping constantly a good quality/price ratio. The customer orientation leads CAMLOGIC staff to have a constructive attitude and to be ready to find new solutions to face the problems expressed by the customers, accepting favorably any suggestion to improve both service and product itself.

Despite the numerous versions available, CAMLOGIC is able to guarantee, on the whole production, short delivery terms so that we can satisfy even the extreme urgencies, using a fast and efficient shipping service.

Thanks to its recognized quality, CAMLOGIC is active in many different international markets, making optimum use of collaborations with selected partners that could guarantee the same service and quality standards that allowed CAMLOGIC to stand out through the years.



An important target that CAMLOGIC achieved is an integration at all production levels, flexibility and safety: for this reason, our firm obtained the **ATEX** certification (**TÜV Nord**). All the products that leave our warehouse got through many controls to guarantee their safety, quality and reliability.



CAMLOGIC has a certified production quality system in compliance with the European Directive 94/9/EC (enclosure III and enclosure IV) in consideration of the standards for electric instruments in **APE** of combustible dusts with Ex II 1/2 D T85°C **IP65** and Ex II 1/2 D T200°C **IP65** marking.

The certification of the **ATEX** quality system includes many different controls both on spare parts and raw materials.

The **ATEX QS**, moreover, provides for a dimensional control in the production and a visual analysis at the beginning of the process. Before shipping the goods in fact, the **ATEX QS** certification requires a further control on the conformity of the finished products.



CAMLOGIC has also obtained a certification issued by the University Laboratory of Electromagnetic Compatibility "**Leopoldo Nobili**" for the products in low tension in compliance with EC Directives 73/23 CE - 93/68 CE, and EC Directives 89/336 - 92/31 regarding the electromagnetic compatibility.

CAMLOGIC obtained the **CESI** certification regarding the protection **IP65** for the products not submitted to ATEX certification.



ATEX, "**Leopoldo Nobili**" and **CESI** certifications lead us to achieve constant improvements in quality, products and design.



CESI

ORDER CODES

- PFG05ATF8511/AC5INX4/P05AT500** Level gauge for high temperatures, with flange, control rotating shaft with output 8 pulses/minute and voltage control on 110 V.a.c., screw in stainless steel with 4 vanes \varnothing 138x50, extension for high temperatures L=500 mm
- PFG57X24CC/AC1INOX1/PSP57X1000** Small size paddle level gauge with all parts in contact with the product in stainless steel, threaded 1 1/2 gas, power supply V. 24 d.c., screw in stainless steel with 1 vane \varnothing 50x100, extension without protection in stainless steel L=1000 mm

PFG TYPE 05 bladed level gauge
57 bladed level gauge, small size

APPLICATION AT for high temperatures
X with all parts in contact with the product in stainless steel
C with short shaft (PFG05 only)
No reference if standard

INSTALLATION ACCESSORIES M with sleeve
F with flange
No reference if threaded

WIRINGS (PFG05 only) 8 - control rotating shaft with output 8 pulses/minute
D - double N.O./N.C. contact
S - voltage control on one power supply
8D - control rotating shaft with output 8 pulses/minute and double N.O./N.C. contact
8S - control rotating shaft with output 8 pulses/minute and voltage control on one power supply
DS - double N.O./N.C. contact and voltage control on one power supply
8DS - control rotating shaft with output 8 pulses/minute, double N.O./N.C. contact and voltage control on one power supply

POWER SUPPLIES 11 power supply 110 a.c.
22 power supply 220 a.c.
24 power supply 24 a.c.
48 power supply 48 a.c.
24CC power supply 24 d.c.

PADDLES AC1INOX1 Screw in stainless steel with 1 vane \varnothing 50x100
AC1PVC1 Screw in PVC with 1 vane \varnothing 50x100
AC2PVC3 Screw in PVC with 3 vanes \varnothing 120x65
AC3INOX4 Screw in stainless steel with 4 vanes \varnothing 100x50
AC4INOX1 Screw in stainless steel with 1 vane \varnothing 60x100
AC4PVC1 Screw in PVC with 1 vane \varnothing 60x100
AC5INOX4 Screw in stainless steel with 4 vanes \varnothing 138x50
AC5I Screw in stainless steel with 4 vanes \varnothing 100x100
AC6INOX1 Screw in stainless steel with 1 vane \varnothing 140x150
AC7INOX1 Screw in stainless steel with 1 vane \varnothing 60x145
AC8 Screw in stainless steel with 4 flexible cables \varnothing 260
AC9INOX2 Screw in stainless steel with 2 vanes \varnothing 140x65
AC9PVC2 Screw in PVC with 2 vanes \varnothing 140x65
AC10 Swallowtail-shape screw in stainless steel \varnothing 70x135
AC11 Screw in stainless steel with 4 vanes \varnothing 150x100
AC12 Sabre-shape screw in stainless steel

TYPE OF EXTENSIONS PCP05 Extension with protection for PFG-05
PSP05 Extension without protection for PFG-05
PCP05X Extension with protection in stainless steel for PFG-05
PSP05X Extension without protection in stainless steel for PFG-05
P05AT Extension for high temperatures for PFG-05
PF05 Flexible extension for PFG-05
PCP57 Extension with protection for PFG-57
PSP57 Extension without protection for PFG-57
PCP57X Extension with protection in stainless steel for PFG-57
PSP57X Extension without protection in stainless steel for PFG-57
P57AT Extension for high temperatures for PFG-57

LENGTH OF THE EXTENSION As requested
from 300 to 3000 mm for PFG-05
from 1000 to 12000 mm for flexible extension for PFG-05
from 200 to 1500 mm for PFG-57

PFG



CAM LOGIC

42025 CAVRIAGO (REGGIO EMILIA) ITALY - Via dell'Industria 12, 12/a
Tel. +39 0522 942641 / 941172 - Fax +39 0522 942643

www.camlogic.it - camlogic@camlogic.it